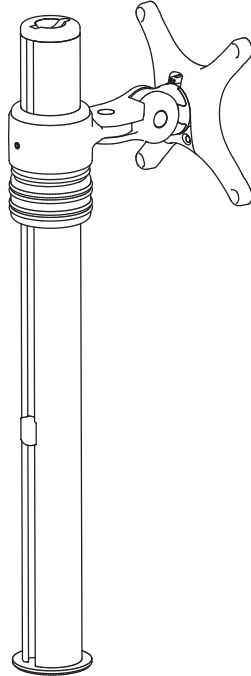
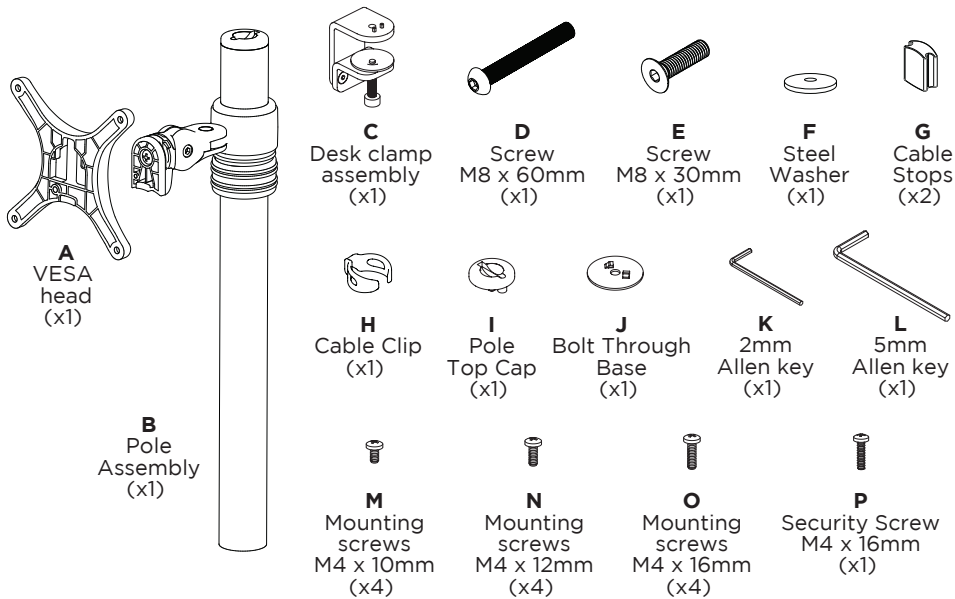


## Micro Desktop Monitor Mount



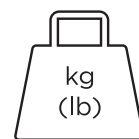
### COMPONENT CHECKLIST



### REQUIRED TOOLS

- Power Drill
- Drill Bit
- Phillips Head Screwdriver

### WEIGHT RANGE



kg  
(lb) 0 - 8kg  
(0 - 17.6lbs)

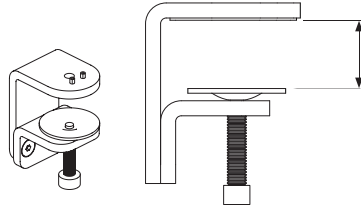
### IMPORTANT INFORMATION

- ! Please ensure this product is installed as per these installation instructions.
- ! The manufacturer accepts no responsibility for incorrect installation.

## 1. Desk overview

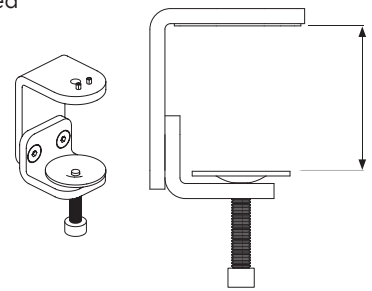
The desk clamp bracket can be repositioned to suit different mounting surface thicknesses.

### 1.1 Default



**MIN THICKNESS** - 0mm (0")  
**MAX THICKNESS** - 39mm (1.5")

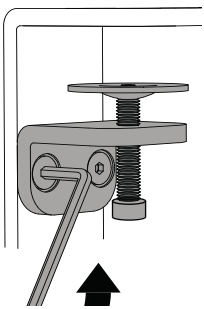
### 1.2 Inverted



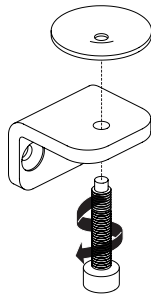
**MIN THICKNESS** - 35mm (1.4")  
**MAX THICKNESS** - 76mm (3")

## 2. How to reconfigure desk clamp

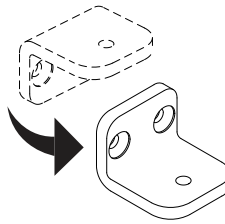
### 2.1 Remove screws (M8 x 16mm Countersunk screw)



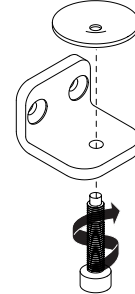
### 2.2 Remove clamp plate



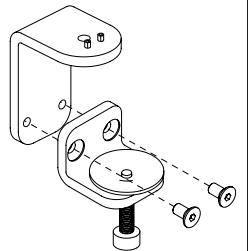
### 2.3 Invert bracket



### 2.4 Replace clamp plate

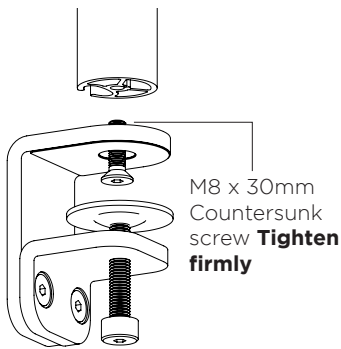


### 2.5 Reattach bracket

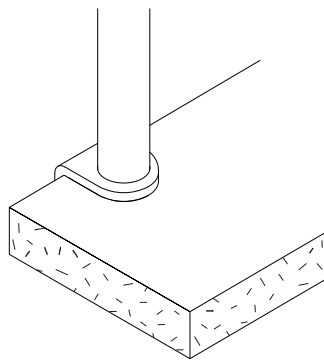


## 3. Post mount configuration

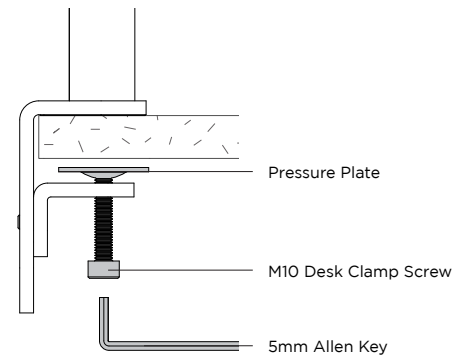
### 3.1 Attach clamp to post



### 3.2 Place in desired location

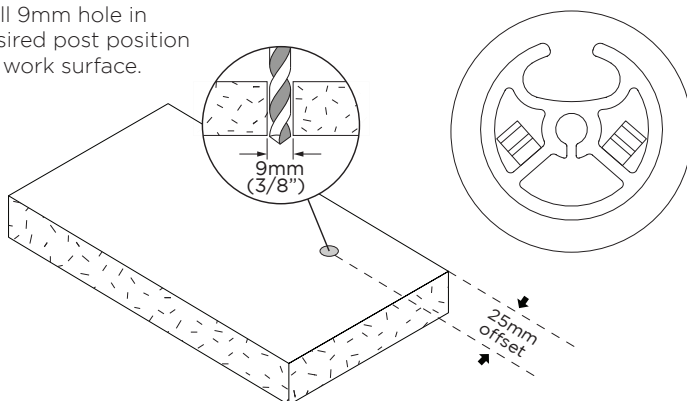


### 3.3 Screw pressure plates in and **tighten firmly**.



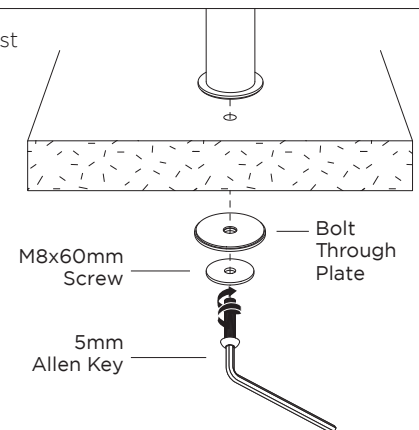
## 4. Bolt through

Drill 9mm hole in desired post position on work surface.

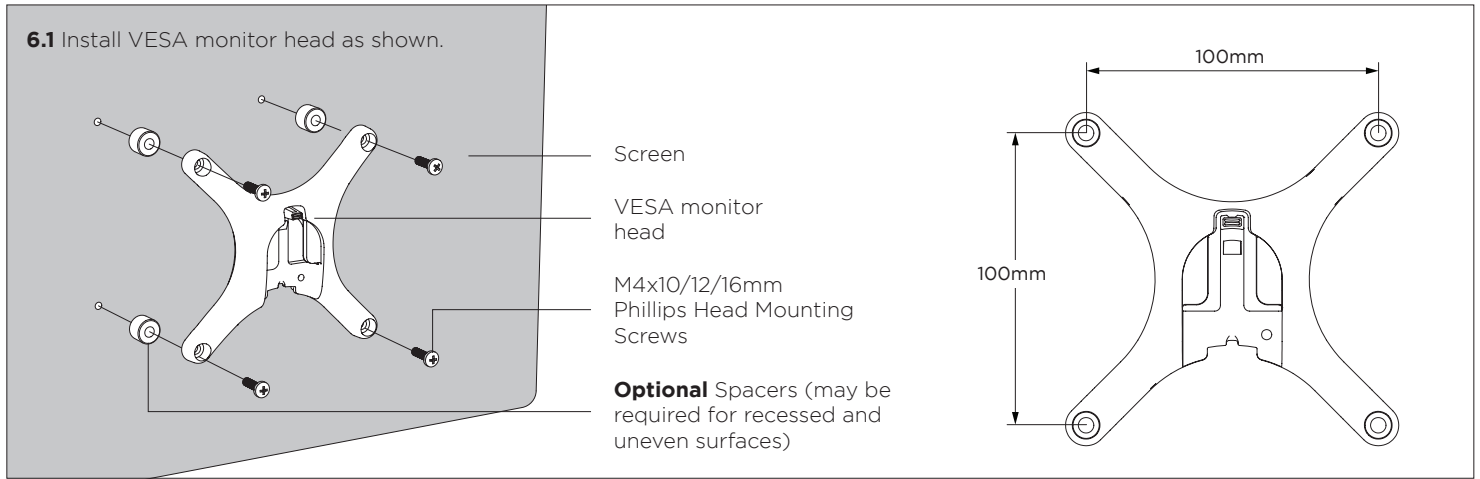


## 5. Installing bolt through

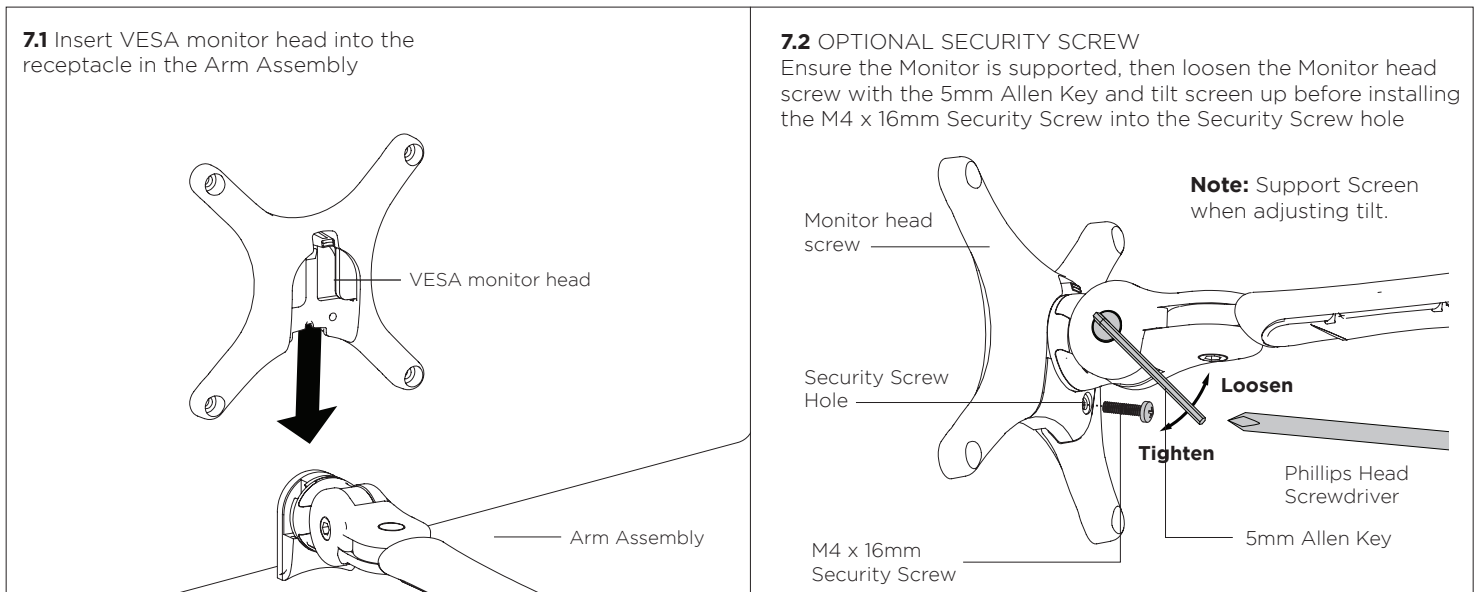
**5.1** Attach plate to post  
Align rear hole with hole on desk



## 6. Install VESA monitor head



## 7. Mounting Monitor



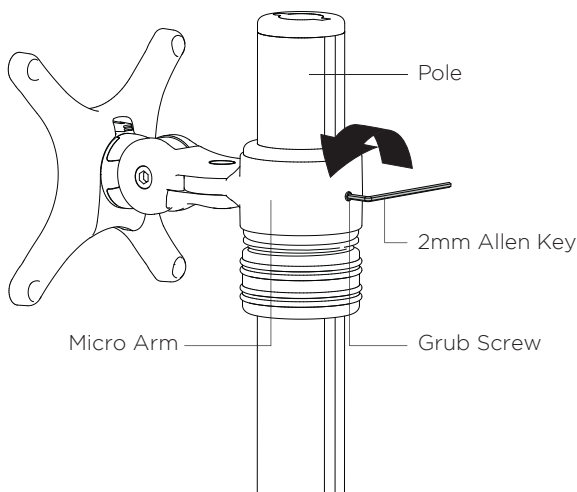
## 8. Unlock/Lock Arm Rotation (Note: Focus Micro comes assembled in the “Locked” Position.)

### Unlock

If you wish your Focus Micro Arm to have 360° rotation about the Pole you will need to unlock the arm's rotation

**Step 1:** Unlock the arm by turning the Grub Screw anti-clockwise removing the Grub Screw completely

**Note:** Store the Grub Screw in a safe place if you are to return the arm to the Locked position

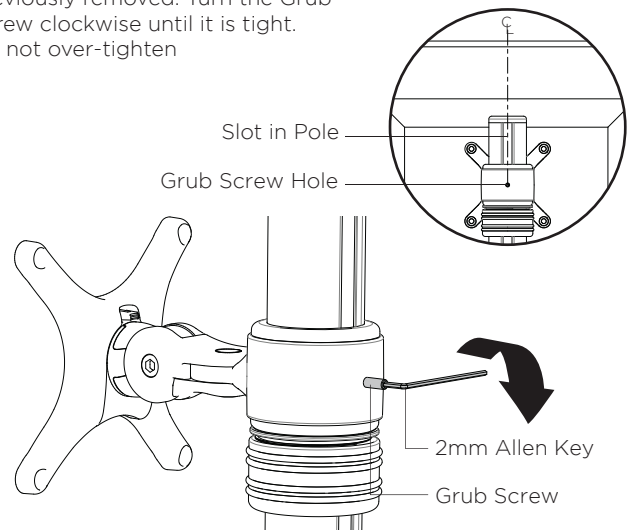


### Lock

If you have unlocked your Focus Micro Arm, but wish to fix rotation around the Pole, you will need to lock the arm

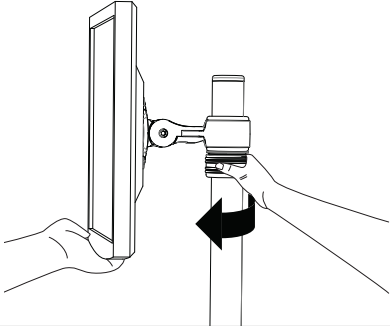
**Step 1:** Ensure the hole for the Grub Screw in the Micro Arm is lined up with the centre of the Slot in the Pole

**Step 2:** Re-insert the Grub Screw previously removed. Turn the Grub Screw clockwise until it is tight. Do not over-tighten

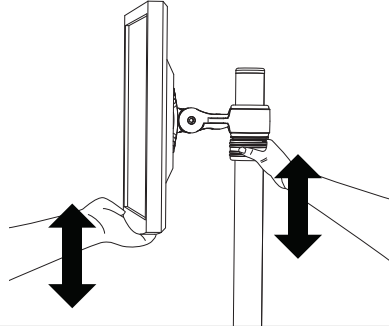


## 9. Adjusting Height

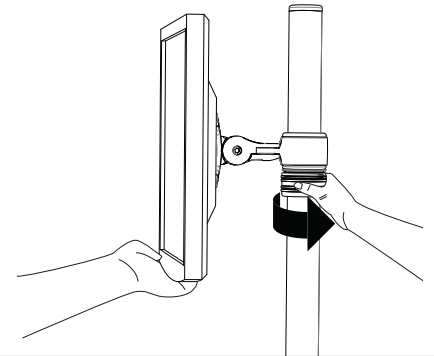
**9.1** Unlock Handgrip ensuring both screen and arm assembly are supported



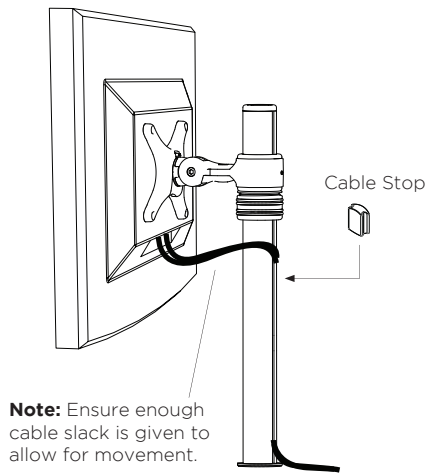
**9.2** Lift/Lower Screen to the desired height. Move both Screen and Arm assembly together.



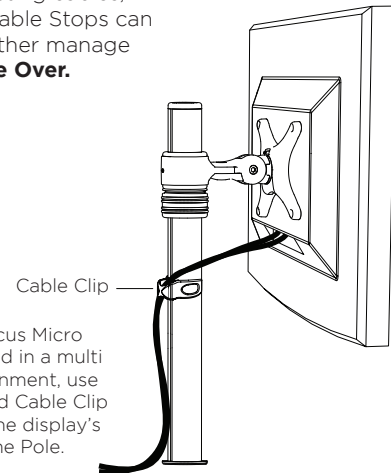
**9.3** Lock Handgrip firmly.



## 10. Cable Management

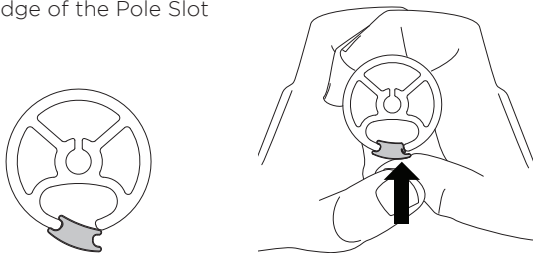


**10.2** After connecting cables, Cable Clips and Cable Stops can be installed to further manage cables. **Please See Over.**



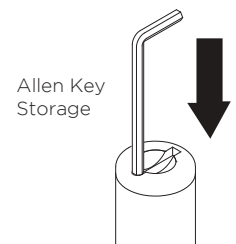
## 11. Insert Cable Stops

**11.1** Insert Cable Stop on one edge of the Pole Slot



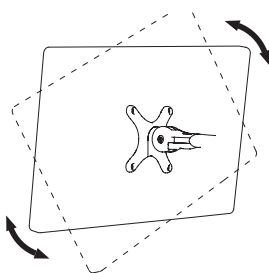
**Note:** Press down firmly onto the other edge of the Cable Stop and hold. This allows the rear profile to flex in place

**11.2** Insert allen key into top cap on pole



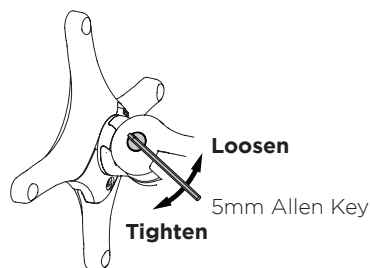
## 12. Adjusting the Display Bracket

**Portrait/ Landscape**



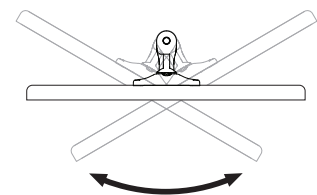
**No Allen Key necessary**

**Tilt (Screen angle up/down)**



**Note:** Support Screen when adjusting tilt.

**Pan (Screen angle left/right)**



**No Allen Key necessary**