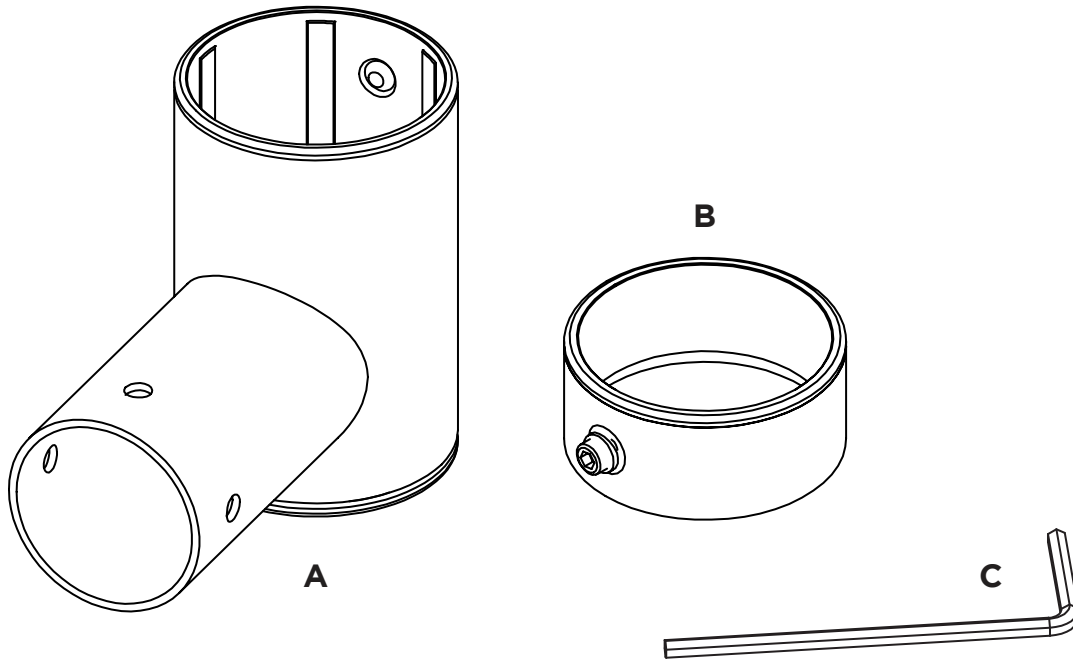


POS Keyboard Arm 80



COMPONENT CHECKLIST

Item	Name	QTY
A	Keyboard Arm 80mm	1
B	Fixing Ring	1
C	3mm Allen Key for Fixing Ring	1