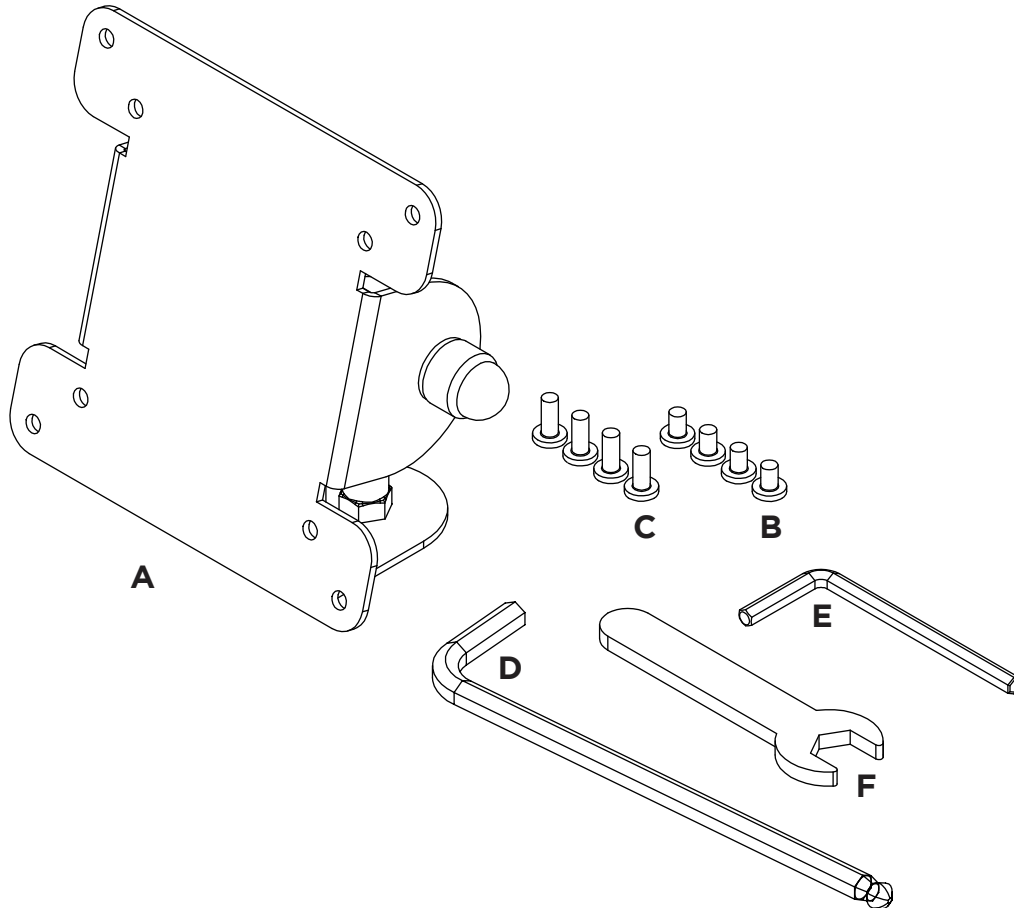


POS Display Head for Pin



COMPONENT CHECKLIST

Item	Name	QTY
A	Pin-Fixing Head	1
B	M4 x 6mm Mounting Screw	4
C	M4 x 10mm Mounting Screw	4
D	6mm Allen Key for Tilt Tightening	1
E	5mm Allen Key for Joint Screw	1
F	M8 Spanner for Tilt Tightening	1