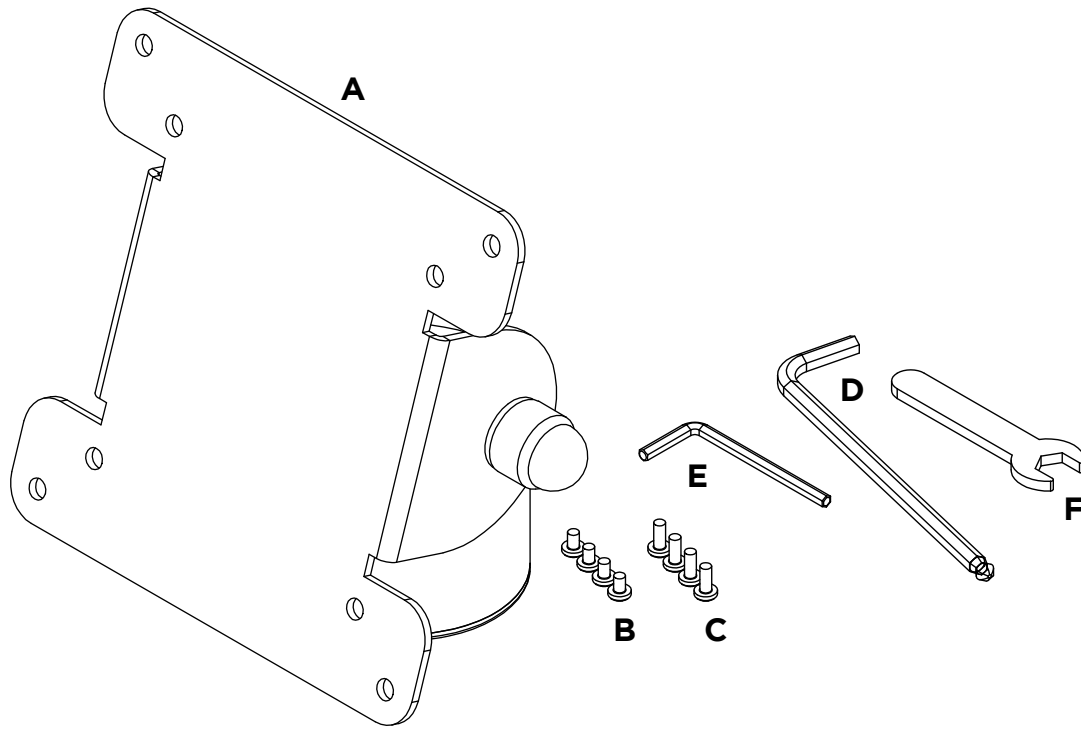


POS Display 45 Top Head



COMPONENT CHECKLIST

Item	Name	QTY
A	Top-Mount Head	1
B	M4 x 6mm Mounting Screw	4
C	M4 x 10mm Mounting Screw	4
D	6mm Allen Key for Tilt Tightening	1
E	3mm Allen Key for Fixing Ring	1
F	M8 Spanner for Tilt Tightening	1