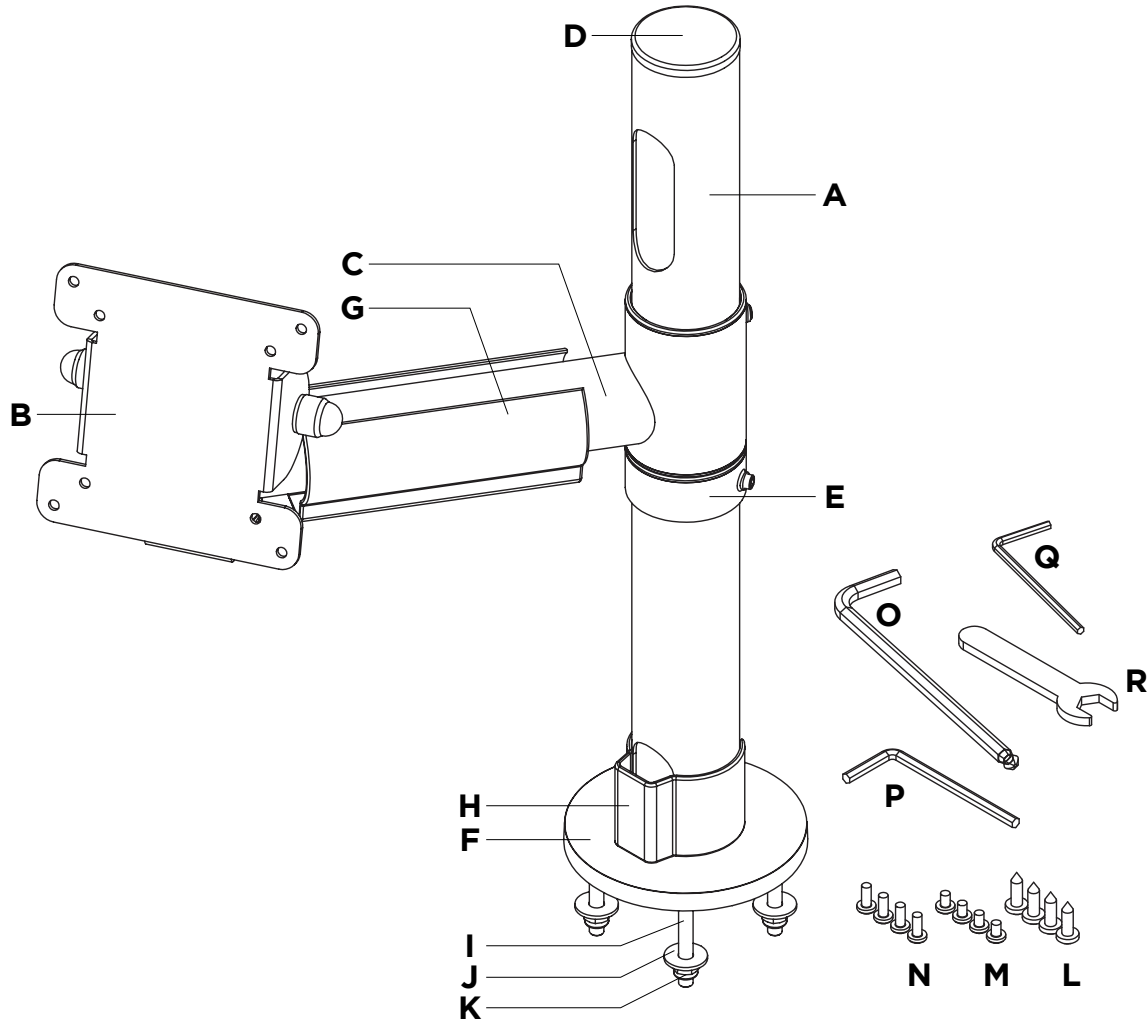


POS 200 Arm 400 Mount



COMPONENT CHECKLIST

Item	Name	QTY
A	Post 400mm x 45mm	1
B	Pin-fixing Head	1
C	Arm 200mm with Pin Fixing	1
D	Post Cap 45mm	1
E	Fixing Ring	1
F	Base Cover Plate 45mm	1
G	Cable Clip 120mm	1
H	Cable Clip 40mm	1
I	M6 x 50mm Screws for Mounting Base	4
J	M6 Washer for Mounting Base	4
K	M6 Nut for Mounting Base	4

Item	Name	QTY
L	Self-tapping Screws for Mounting Base	4
M	M4 x 6mm Mounting Screws	4
N	M4 x 10mm Mounting Screws	4
O	6mm Allen Key for Tilt Tightening	1
P	4mm Allen Key for M6 x 50mm Screw	1
Q	3mm Allen Key for Fixing Ring	1
R	M8 Spanner for Tilt Tightening	1