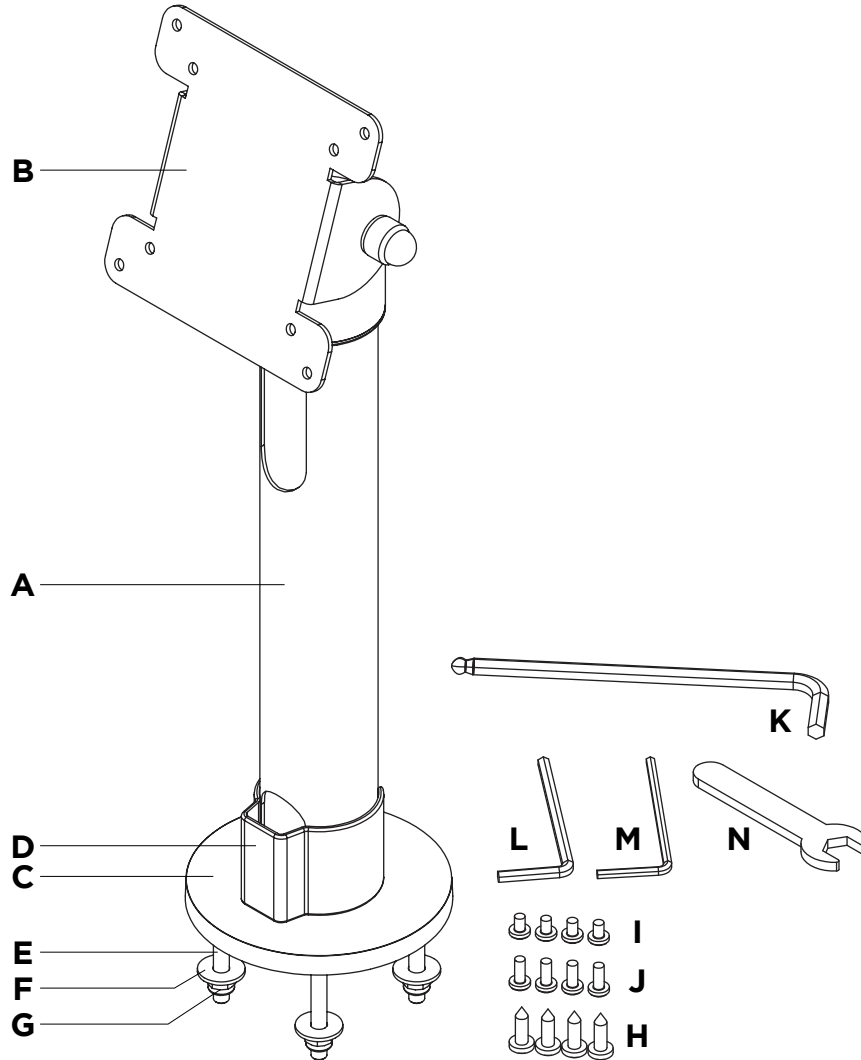


POS Top 300 Mount



COMPONENT CHECKLIST

Item	Name	QTY
A	Post 300mm x 45mm	1
B	Top Mount Head	1
C	Base Cover Plate 45mm	1
D	Cable Clip 40mm	1
E	M6 x 50mm Install Screws for Mounting Base	1
F	M6 Washer for Mounting Base	1
G	M6 Nut for Mounting Base	4
H	Self-tapping Screws for Mounting Base	4

Item	Name	QTY
I	M4 x 6mm Mounting Screws	4
J	M4 x 10mm Mounting Screws	4
K	6mm Allen Key for Tilt Tightening	1
L	4mm Allen Key for Mounting Screws	1
M	3mm Allen Key for Fixing Ring	1
N	M8 Spanner for Tilt Tightening	1