

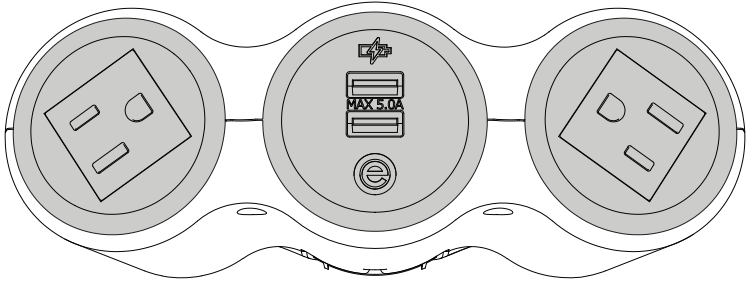
POWER MODULE

F-Clamp Desk Mount

General Features

TUF Charger 5.0A

The Twin USB Fast (TUF) charger can charge up to two devices simultaneously.



AC Power Outlet

NEMA 5-15P Simplex
 125V 15A

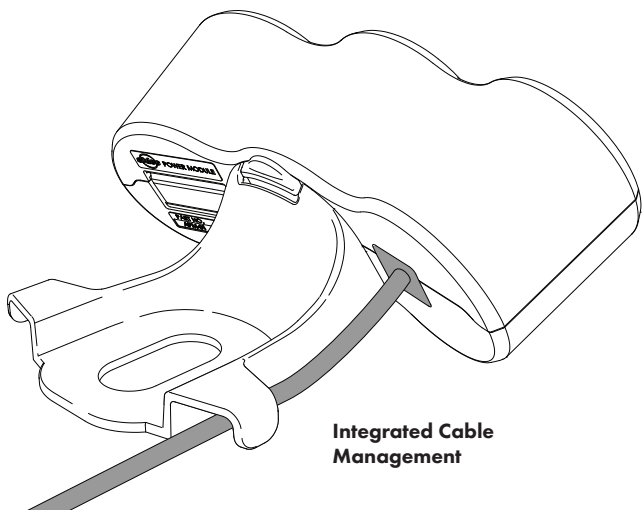
Angled to accommodate large direct plug transformers.

AC Power Outlet

NEMA 5-15P Simplex
 125V 15A

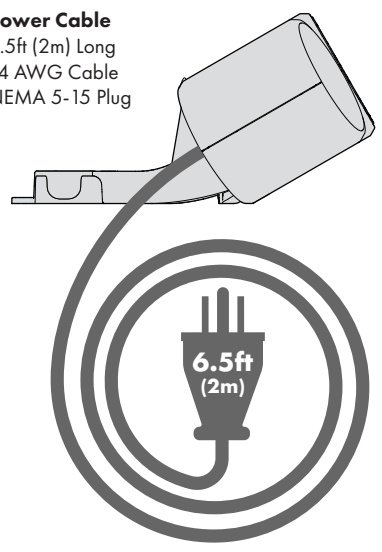
Angled to accommodate large direct plug transformers.

Outlets can be customised to have Systimax Data, Twin RJ45 Data, VGA or Twin Data USB connectors as requested.

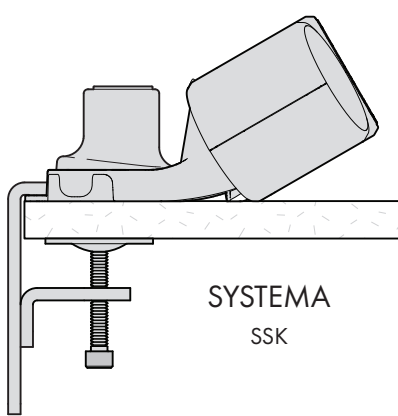


Integrated Cable Management

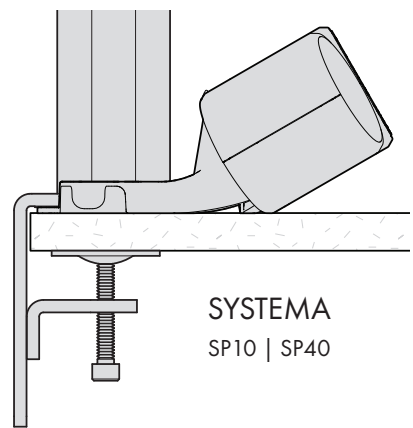
Power Cable
 6.5ft (2m) Long
 14 AWG Cable
 NEMA 5-15 Plug



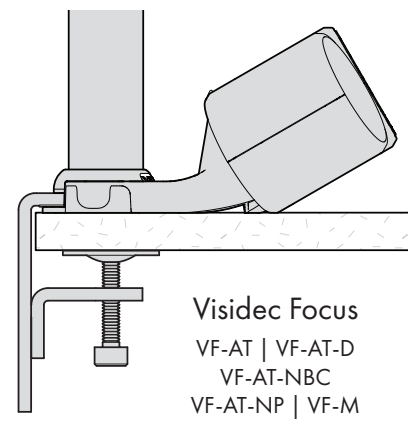
Compatibility



SYSTEMA
 SSK



SYSTEMA
 SP10 | SP40



Visidec Focus
 VF-AT | VF-AT-D
 VF-AT-NBC
 VF-AT-NP | VF-M

Ratings & Approvals

UL962A

Standard for Furniture Power Distribution Units

UL1363

Standard for Relocatable Power Taps

CAN/CSA-C22.2 No. 21

Standard for Cord Sets and Power-supply Cords

UL60950-1 (TUF Charger)

Safety of AV & ICT Equipment

EMC-FCC (TUF Charger)

Standard for Electromagnetic Compatibility

TUF Charger Safety Certifications

EN60950-1:2006+A11:2009 + A12:2011

TUF Charger EMC Certifications

EN55022:2006+A1:2007

EN61000-3-2:2006+A1/A2:2009

EN61000-3-3:2006

EN55024 -2010

TUF Charging Times

Indicative charging times
from 10% to 90%

Sony Xperia Z1 **2.5hrs**

iPhone 6S **1.5hrs**

Samsung Galaxy Note10.1" **2.5hrs**

iPad 3/4 **3.75hrs**

The first device plugged in will charge at the maximum rate. Subsequent devices plugged in will have second preference charging and may charge slower.

Compatibility

The TUF charger is compatible with standard devices such as **Apple iPhone** and **iPad** (incl. new Apple 2.4A), **Android** devices, **Samsung tablets**, **Blackberry** devices, **Windows** devices, as well as most other common USB-compatible charging devices not listed here.

Warranty

12 Months Limited

TUF Charger Specifications

USB charging outlets 2 x type A female

Charging current Max 5.0A in total

AC voltage range 100-240V AC50/60Hz

AC input current Max 0.25A at full load
Less than 0.5mA at no load

Rated total output 25W max

Output voltage 5V DC +/- 5%

Standby power use Less than 0.05W

Life expectancy Minimum 5 years in normal use

USB connector Gold Plated - min 5000 insertions

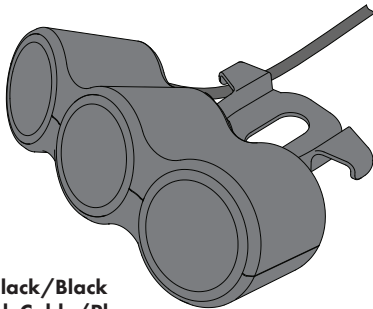
Over current protection Yes - self regulating

Short circuit protection Yes - Auto reset

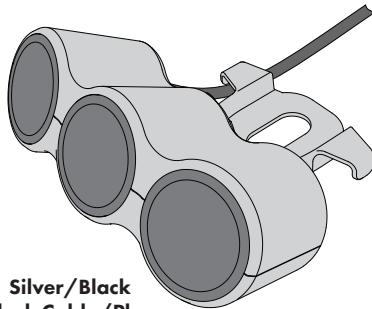
Operating Temperature Range 0°C- 35°C

Max relative humidity 85% RH

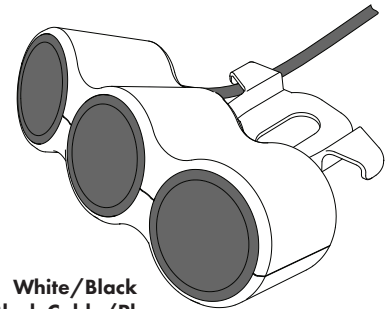
Color Options



Black/Black
Black Cable/Plug
APM01U-005



Silver/Black
Black Cable/Plug
APM01U-006



White/Black
Black Cable/Plug
APM01U-007

Dimensions

