



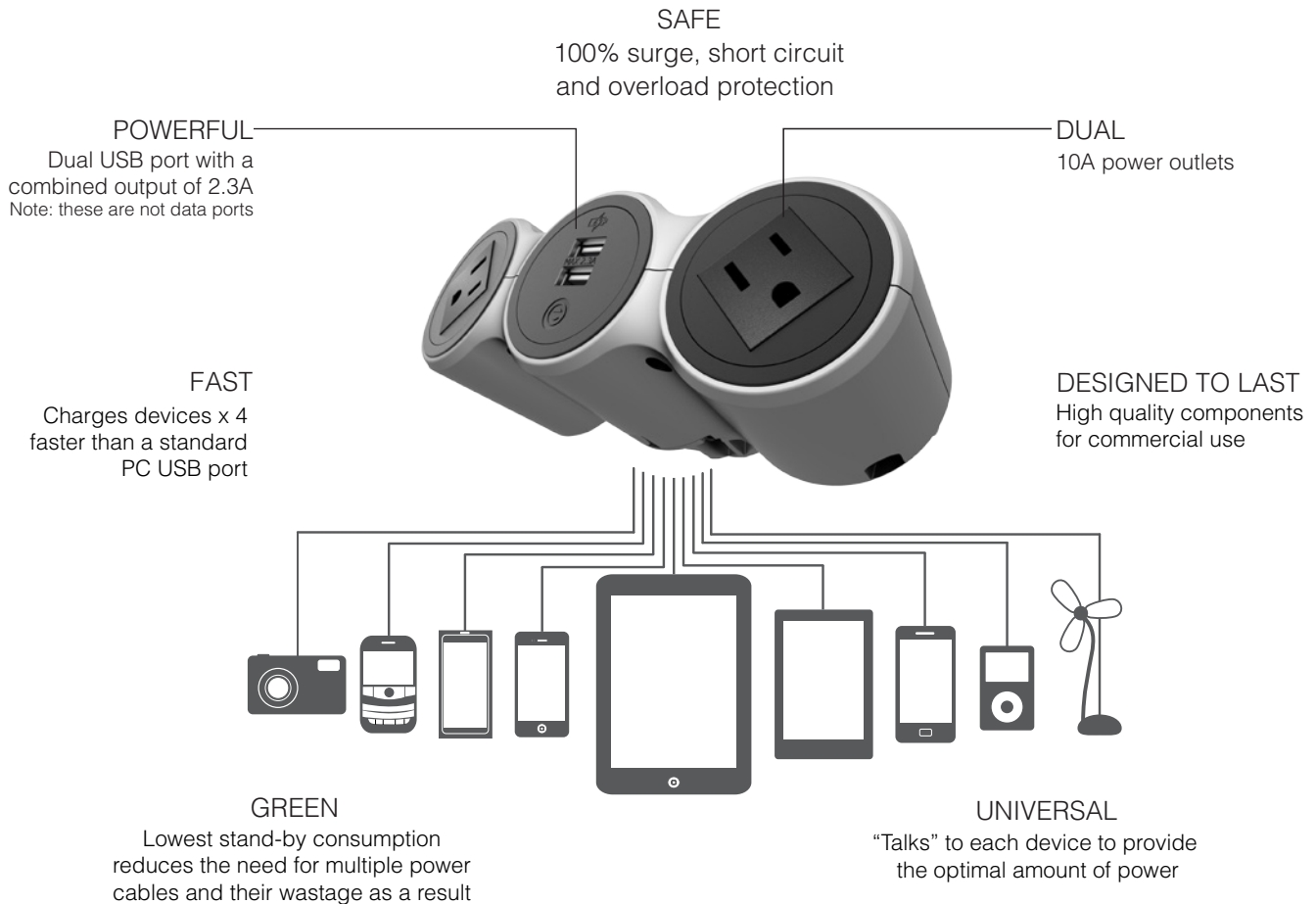
## Atdec Intelligent Power Module

The Atdec Intelligent Power Module provides above desk power via its two integrated USB power outlets and two electrical (GPO) outlets. The accessory has Intelligent Device Recognition (IDR) technology built into the USB sockets which communicates with any device and provides it with the optimum amount of power. The result is fast charging speeds (four times faster than a PC USB port). It improves work place ergonomics by moving power sources above the desk and helps to create an elegant all-in-one space saving solution. It integrates seamlessly at the base of the SYSTEMA™ (selected models) and VISIDEC™ Focus range mounts and is perfect for commercial offices, hospitality, education, healthcare and public space.

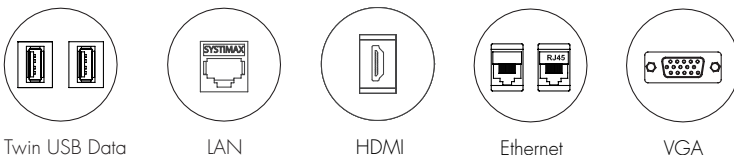


### Product key features:

- Intelligent design offers universal fast charging technology to any USB device irrespective of brand or model
- Commercial grade with gold plated connectors for longevity
- Compatible with SYSTEMA™ (selected models) and VISIDEC™ Focus monitor mounts
- Constructed from flame retardant plastic
- Certified for UL962A, UL1363, CAN/CSA-C22.2 No. 21, UL60950-1, EMC-FCC, EN60950-1:2006+A11:2009 + A12:2011, EN55022:2006+A1:2007, EN61000-3-2:2006+A1/A2:2009, EN61000-3-3:2006, EN55024 -2010
- Made in the UK



### Sockets can be customised to accommodate



### Colour options include



Find out more at [www.atdec.com/atdec-power-module](http://www.atdec.com/atdec-power-module)



# Technical data

## FORMAT

2 x NEMA 5-15P Simplex, 125V 15A Socket  
 1 x Twin USB fast charger (2.3A max total load)  
 6.5ft (14AWG) long power cable, NEMA 5-15 Plug

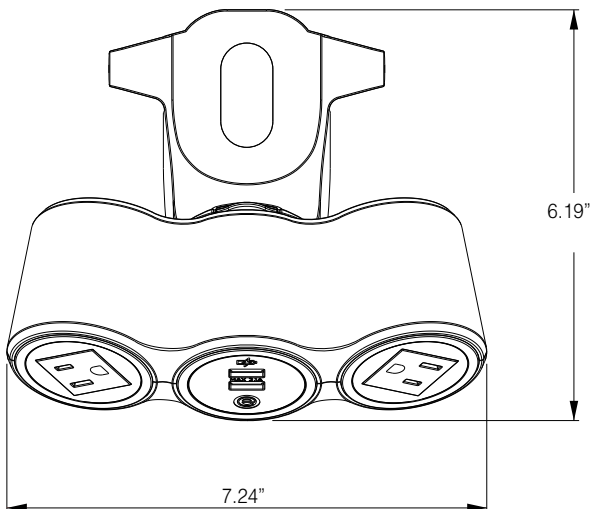
Charging current	Max. 2.3A in total
AC voltage range	100-240V AV 50/60Hz
AC input current	Max 0.2amp at full load, less than 0.5mA at no load
Rated total Output	11.5W max
Output voltage	5V DC +5%
Standby power use	Less than 0.1W
Life expectancy	Min 5 years in normal use
USB connector	Gold Plated - min 1500 insertions
Over current protection	Yes - self regulating
Short circuit protection	Yes - Auto reset
Apple iPad/iPhone compatible	Yes
Blackberry compatible	Yes
Operating Temperature range	0°-35°C
Max relative humidity	85% RH
Atdec compatible mounts	VISIDEC™ Focus range: VF-AT, VF-AT-SW, VF-M, VF-AT-D, VF-AT-NP, VF-AT-NBC SYSTEMA™ range: SSK and all solutions that utilise the SP10 (S/W/B) or SP40 (S/W/B) desk posts.

### Design and Materials

- Made from ABS/PC UL94 V-0 flame retardant plastic
- Robust PU based paint, fully ROHS compliant
- Neoprene pad on base to prevent slippage and protect mounting surface
- Integrated cable management wings at rear each can hold up to 2 CAT6A cables
- Can be customised to support a large range of data or power ports

### INDICATIVE CHARGING TIMES FROM 0% TO 100%

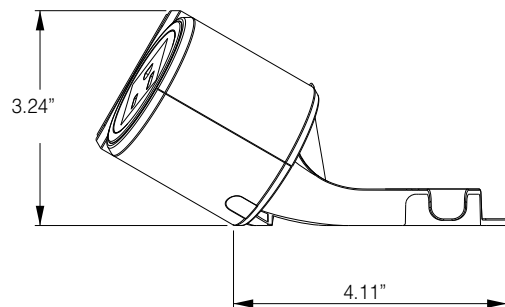
DEVICE	TIME
IPHONE 4S	2HRS
IPHONE5	2HRS
IPAD 2	3.5HRS
IPAD 3	5.75HRS
BLACKBERRY BOLD 9700	95MINS
GOOGLE NEXUS	3HRS



### SAFETY STANDARDS

- UL962A** Standard for Furniture Power Distribution Units
- UL1363** Standard for Relocatable Power Taps
- CAN/CSA-C22.2 No. 21** Standard for Cord Sets and Power-supply Cords
- UL60950-1** Safety of AV & ICT Equipment
- EMC-FCC** Standard for Electromagnetic Compatibility
- EMC Certifications:** EN55022:2006+A1:2007  
 EN61000-3-2:2006+A1/A2:2009  
 EN61000-3-3:2006  
 EN55024 -2010

**Safety Certifications:** EN60950-1:2006+A11:2009 + A12:2011



205 Westwood Ave, Long Branch, NJ 07740  
 Phone: 866-94 BOARDS (26273) / (732)-222-1511  
 Fax: (732)-222-7088 | E-mail: sales@touchboards.com

Atdec mounts are designed, developed and tested in Australia. While all efforts have been made to ensure the information in this brochure was correct as of the date of printing we reserve the right to change specifications without notice. Please refer to the website for our full range along with the latest details on specifications, compatibility and dealer location. Atdec is a registered trademark with all rights reserved. Copyright June 2015.



Atdec Global [www.atdec.com.au](http://www.atdec.com.au)  
 Atdec North America [www.atdec.com](http://www.atdec.com)