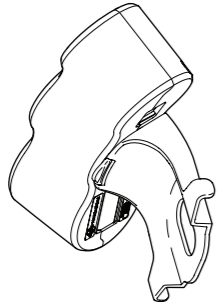


# POWER MODULE

APM-01 Desk Mount

## Component Checklist



Power Module

### Tools Required

- 4mm Allen Key
- 5mm Allen Key
- Power Drill
- 9mm (0.35") Drill Bit

### IMPORTANT INFORMATION

- ! Before installing the Power Module please read your monitor arm's installation instructions for information on post placement and ergonomic guidelines.
- ! The manufacturer accepts no responsibility for incorrect installation.
- ! The Power Module is compatible with the following Audec products:

Systema  
SSK | SP10 | SP40

Visidec Focus

VF-AT | VF-AT-D | VF-AT-NBC  
VF-AT-NP | VF-M

## Option 1: Desk Clamp Mount

## SYSTEMA Spring Arm (SSK)

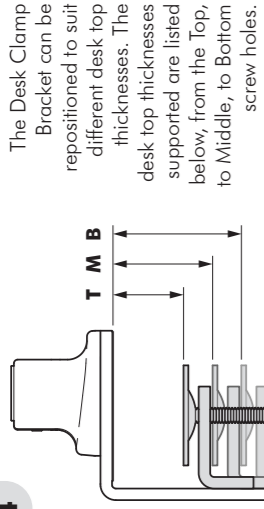
### Standard Installation

- Place Desk Clamp and Power Module in desired location on the desk top.
  - Slide on clamp
- Screw in the Desk Clamp Screw and tighten.
- Push any cables under the cable management wings.

### Installation Complete

You are now ready to install your Systema Monitor Arm. To continue with installation of the monitor arm, please refer to the Installation Instructions provided with the monitor arm.

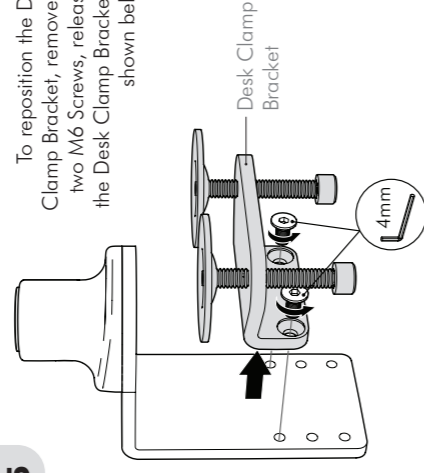
### Desktop thicker than 35mm?



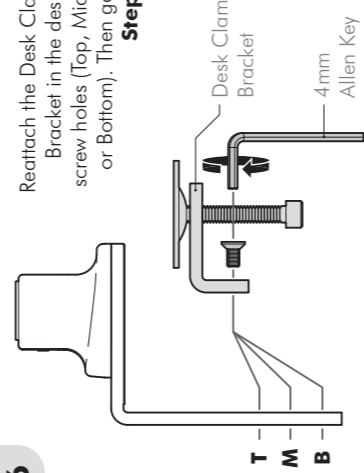
The Desk Clamp Bracket can be repositioned to suit different desk top thicknesses. The desk top thicknesses supported are listed below, from the Top, to Middle, to Bottom screw holes.

- Top (default) 0 - 35mm (0.00 - 1.38")
- Middle 8 - 50mm (0.31 - 1.97")
- Bottom 22 - 65mm (0.87 - 2.56")

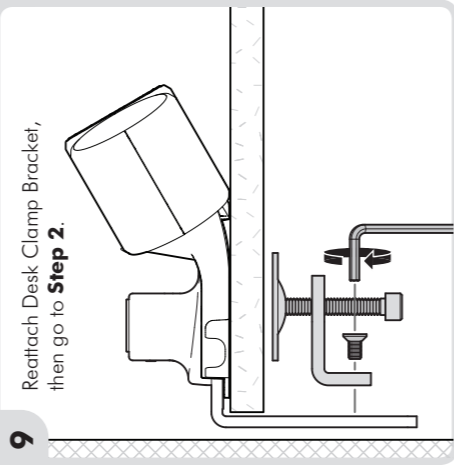
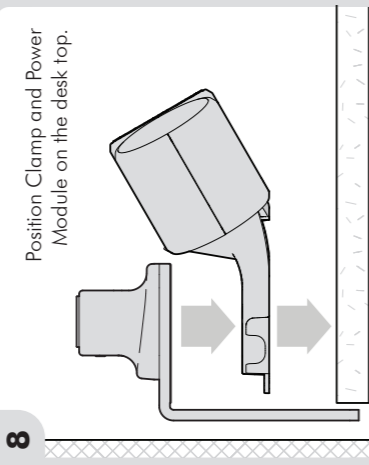
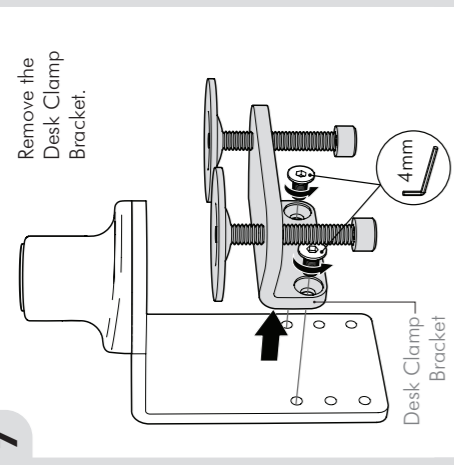
To reposition the Desk Clamp Bracket, remove the two M6 Screws, releasing the Desk Clamp Bracket as shown below.



Reattach the Desk Clamp Bracket in the desired screw holes (Top, Middle or Bottom). Then go to **Step 1**.



### No access behind the desk?



## Option 1: Desk Clamp Mount

## SYSTEMA Post Clamp (SP10/SP40)

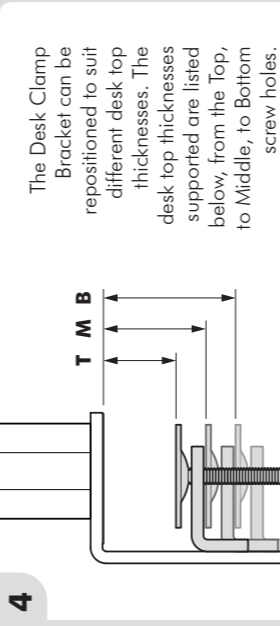
### Standard Installation

- Place Desk Clamp and Power Module in desired location on the desk top.
  - Slide on clamp
- Screw in the Desk Clamp Screw and Tighten.
- Push any cables under the cable management wings.

### Installation Complete

You are now ready to install your Systema Monitor Arm. To continue with installation of the monitor arm, please refer to the Installation Instructions provided with the monitor arm.

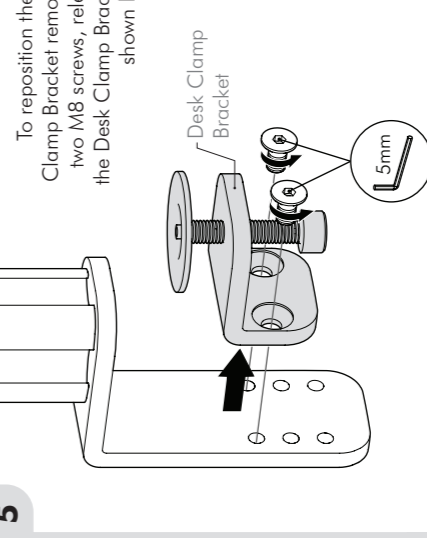
### Desktop thicker than 35mm?



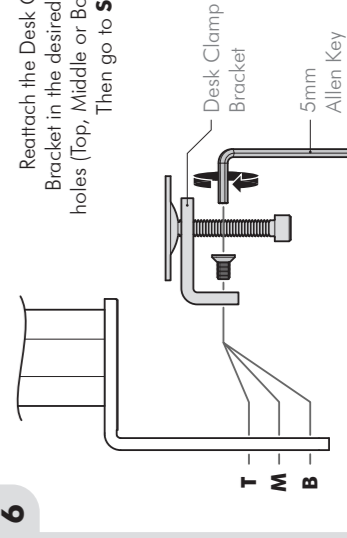
The Desk Clamp Bracket can be repositioned to suit different desk top thicknesses. The desk top thicknesses supported are listed below, from the Top, to Middle, to Bottom screw holes.

- Top (default) 0 - 35mm (0.00 - 1.38")
- Middle 8 - 50mm (0.31 - 1.97")
- Bottom 22 - 65mm (0.87 - 2.56")

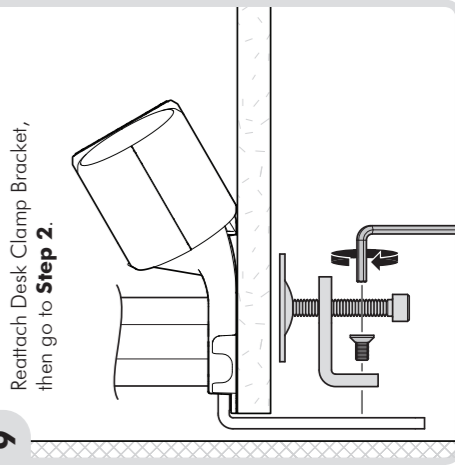
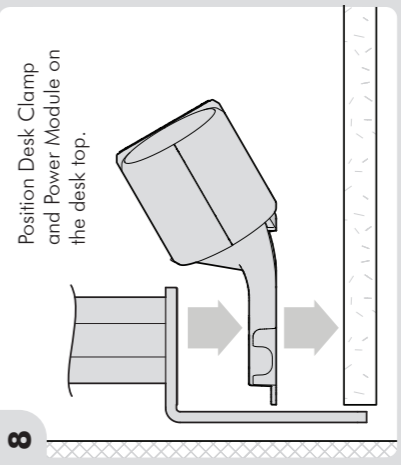
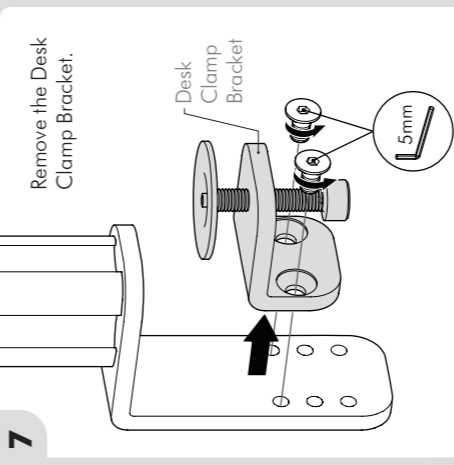
To reposition the Desk Clamp Bracket remove the two M8 screws, releasing the Desk Clamp Bracket as shown below.



Reattach the Desk Clamp Bracket in the desired screw holes (Top, Middle or Bottom). Then go to **Step 1**.

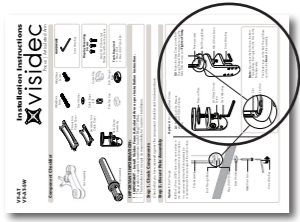


### No access behind the desk?

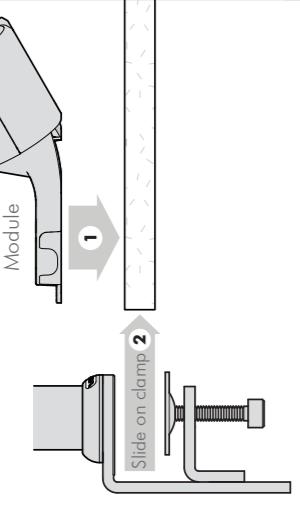


**Standard Installation**

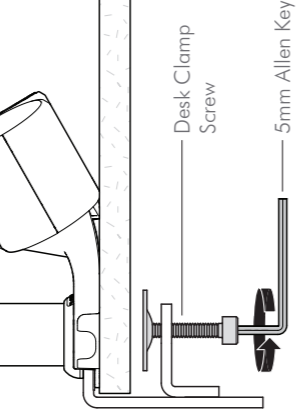
**1** Follow steps 2.1 & 2.2 in the Visidec Focus Arm Installation Instructions to assemble the Pole to the Desk Clamp.



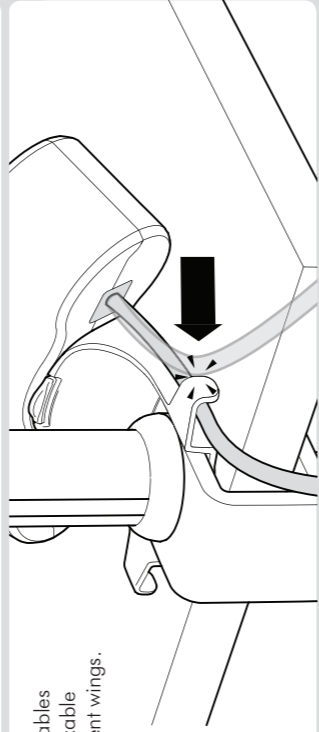
**2** Place Desk clamp and power module in desired location on desk top.



**3** Screw in the Desk Clamp Screw and tighten.



**4** Push any cables under the cable management wings.

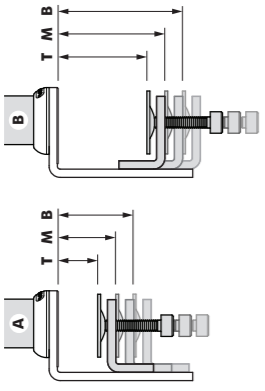


**Installation Complete**

You are now ready to install your Visidec Focus Monitor Arm. To continue with installation of the monitor arm, please refer to the Installation Instructions provided with the monitor arm.

**Desktop thicker than 29mm?**

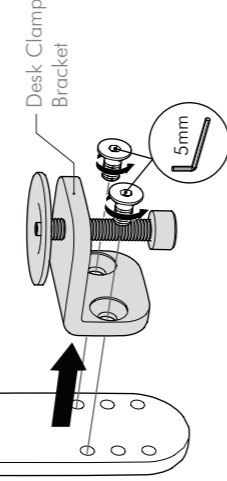
The Desk Clamp Bracket can be repositioned to suit different desk top thicknesses. The desk top thicknesses supported are listed below, from the Top, to Middle, to Bottom screw holes.



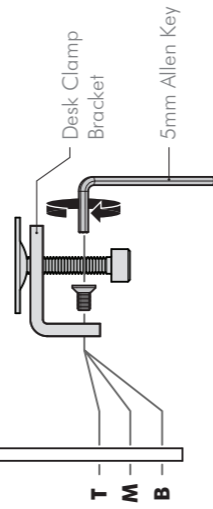
**A** Top (default) 0 - 29mm (0.00 - 1.38")  
Middle 4 - 44mm (0.31 - 1.97")  
Bottom 19 - 59mm (0.87 - 2.56")

**B** Top 26 - 66mm (0.00 - 1.38")  
Middle 40 - 81mm (0.31 - 1.97")  
Bottom 56 - 96mm (0.87 - 2.56")

**6** To Reposition the Desk Clamp Bracket, remove the two M8 Screws, releasing the Desk Clamp Bracket as shown here.

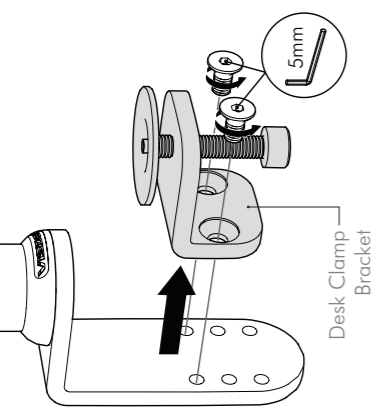


**7** Reattach the Desk Clamp Bracket in the desired position (Top, Middle or Bottom). Then go to **Step 2**

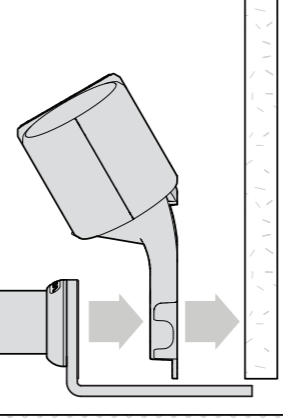


**8** No access behind the desk?

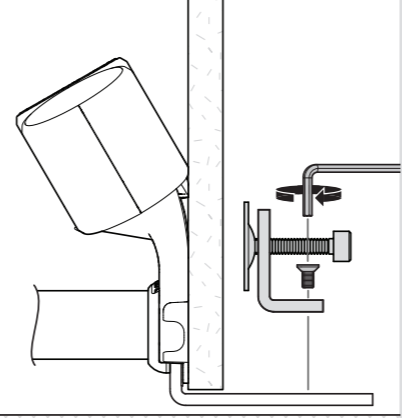
Remove the Desk Clamp Bracket



**9** Position Clamp and Power Module on the desk top.



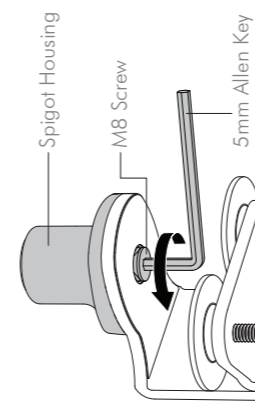
**10** Reattach Desk Clamp Bracket, then go to **Step 3**.



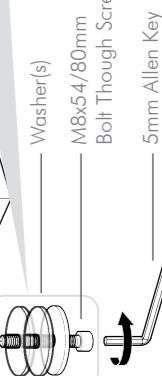
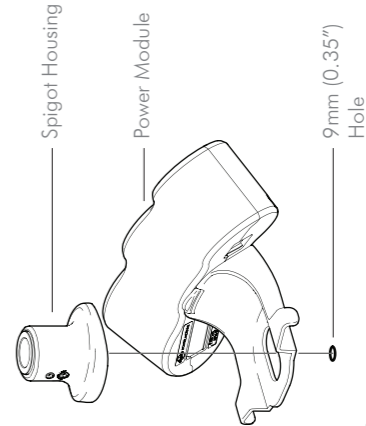
**Option 2: Bolt Through Mount**

**SYSTEMA Spring Arm (SSK)**

**1** Remove M8 Screw to release the Spigot Housing from the Desk Clamp.



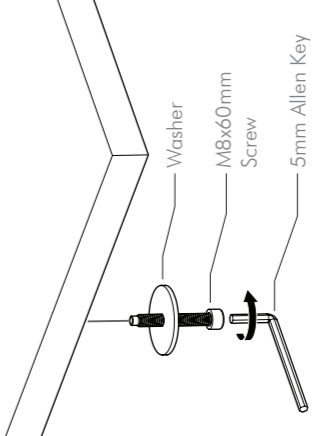
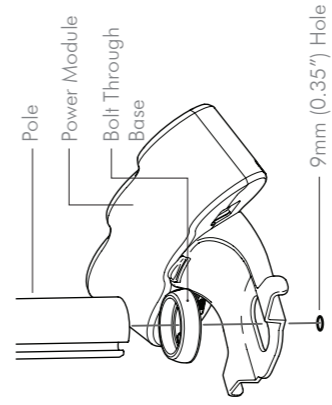
**2** Drill a 9mm (0.35") hole in the desired position through the desk top and assemble as shown below. It is recommended that the Spigot Housing be mounted towards the rear edge of the desk top.



**GO TO STEP 3**

**Visidec Focus**

**1** Drill a 9mm (0.35") hole in the desired position through the desk top and assemble as shown below. It is recommended that the pole be mounted towards the rear edge of the desk top.



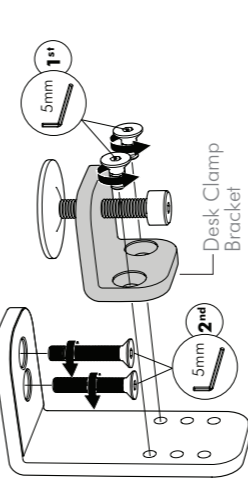
**GO TO STEP 3**

A 54mm or 80mm Bolt Through Screw with 1 to 3 washers, accommodates a range of desk top thicknesses.

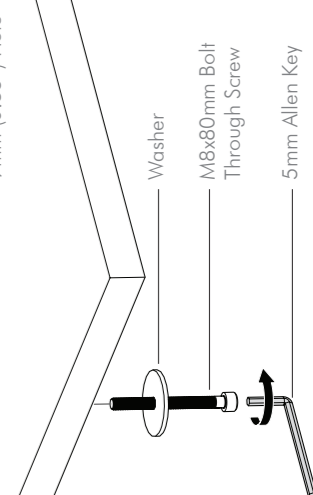
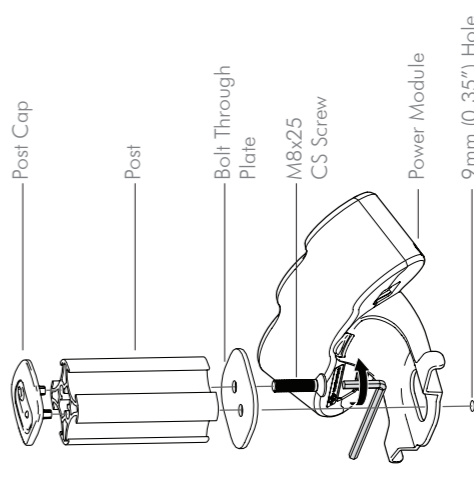
Desk Top Thickness	No.	Bolt Through Screw
10-13mm	3	54mm
13-16mm	2	54mm
16-36mm	1	80mm
36-39mm	3	80mm
39-42mm	2	80mm
42-63mm	1	80mm

**SYSTEMA Post (SP10/SP40)**

**1** Release the post from the clamp as shown here, removing the Desk Clamp Bracket first.



**2** Drill a 9mm (0.35") hole in the desired position through the desk top and assemble as shown below. It is recommended that the post be mounted towards the rear edge of the desk top.



**GO TO STEP 3**

**Installation Complete**

You are now ready to install your Monitor Arm. To continue with installation of the monitor arm, please refer to the Installation Instructions provided with the monitor arm.

**3** Push any cables under the cable management wings.

