

## Atdec AWM Series

### Index

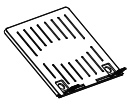
<b>Standard Product System Diagram</b>		Page 2
<b>Heads</b> AWM-HV SNTB	VESA Head Notebook Holder	Dimensions Page 3 Page 3
<b>Arms</b> AWM-A13 AWM-A46 AWM-A71	Overview Dimensions Height Adjustment on Posts Height Adjustment on Wall Channels	Page 4 Page 5 Page 6 Page 7
<b>Dynamic Arms</b> AWM-AD AWM-LD	Overview Dimensions Dimensions on Post Height Adjustment on Posts Height Adjustment on Wall Channels	Page 8 Page 9 Page 10 Page 11 Page 12
<b>Posts</b> AWM-P13 AWM-P40 AWM-P75	Dimensions	Page 13
<b>Wall Channels</b> AWM-W6 AWM-W35	Dimensions	Page 14
<b>Fixings</b> AWM-FB AWM-FC AWM-FF AWM-FH AWM-WS	Bolt Through Kit C Clamp F Clamp Heavy Duty F Clamp Slat Wall Adaptor	Dimensions Dimensions Dimensions Dimensions Dimensions Page 15 Page 15 Page 16 Page 16 Page 17
<b>Accessories</b> APM01 AC-MP AC-GC	Power Module Mini PC Mount Plate Grommet Clamp	Page 18 Page 18 Page 18

# STANDARD PRODUCT SYSTEM DIAGRAM

**Important Note:**

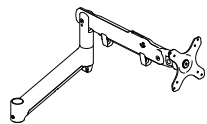
1. Any mounting surface must be capable of supporting the combined weight of all products, including attached screens and devices.
2. Ensure that your monitor solution is rated to support the combined weight of all products, including attached screens and devices.
3. All fixings are sold separately.

**HEADS**




**Notebook Tray**  
SNTB

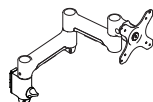
**ARMS**



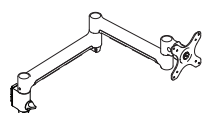
**Dynamic Arm**  
AWM-AD



**130 Arm**  
AWM-A13

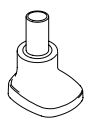


**460 Arm**  
AWM-A46

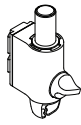


**710 Arm**  
AWM-A71

**INTERFACE LINKS**




**Arm Base**  
AWM-LB

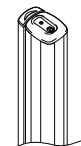


**Arm Channel Clamp**  
AWM-LC

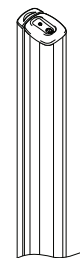
**POSTS**



**135 Post**  
AWM-P13




**400 Post**  
AWM-P40




**750 Post**  
AWM-P75

**WALL CHANNELS**

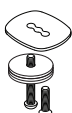


**60 Wall Channel**  
AWM-W6

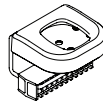


**350 Wall Channel**  
AWM-W35

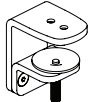
**FIXINGS**



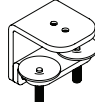
**Bolt Through Kit**  
AWM-FB



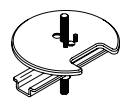
**C Clamp**  
AWM-FC



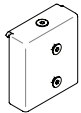
**F Clamp**  
AWM-FF



**Heavy Duty F Clamp**  
AWM-FH




**Grommet Clamp**  
AC-GC

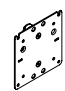


**Slat Wall Adaptor**  
AWM-WS

**ACCESSORIES**



**Power Module**  
APM01



**Mini PC Mount Plate**  
AC-MP

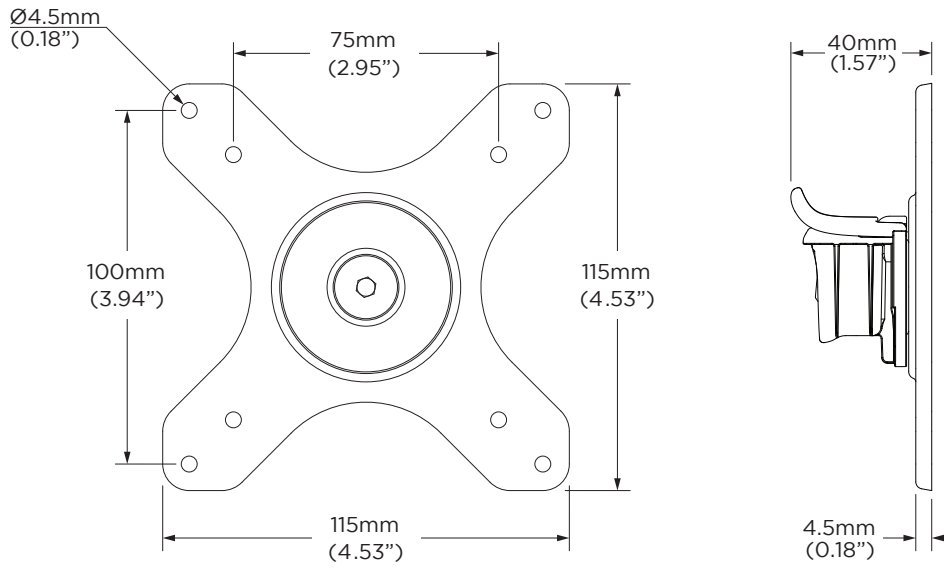
# HEADS

**Important Note:**

1. All arms are supplied with the VESA Head - AWM-HV (unless specified otherwise)
2. Other accessories are sold separately.

## VESA Head AWM-HV

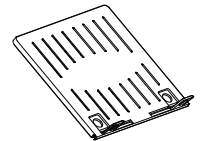
Dimensions



## Notebook Tray SNTB

**Important Note:**

1. Maximum weight load 8kg (17.6 lbs).
2. Ensure solution is rated to support combined weight of all products and attached screens/devices.
3. 10 years limited warranty.
4. For further details refer to the Notebook Tray - SNTB Technical Specifications document.



# ARMS OVERVIEW

**Important Note:**

The rotation at the clamp can be reduced to 180° by using the rotation limiter ring. See product installation guide for instructions.

## 130 Arm AWM-A13

<p>Pan Movement <b>MAX 360°/180°</b></p> <p>Monitor Rotation 360°</p>	<p>Tilt Angle</p>
	<p>Weight</p> <p><b>MIN</b> 0kg (0lbs) <b>MAX</b> 12kg (26.4lbs)</p>

## 460 Arm AWM-A46

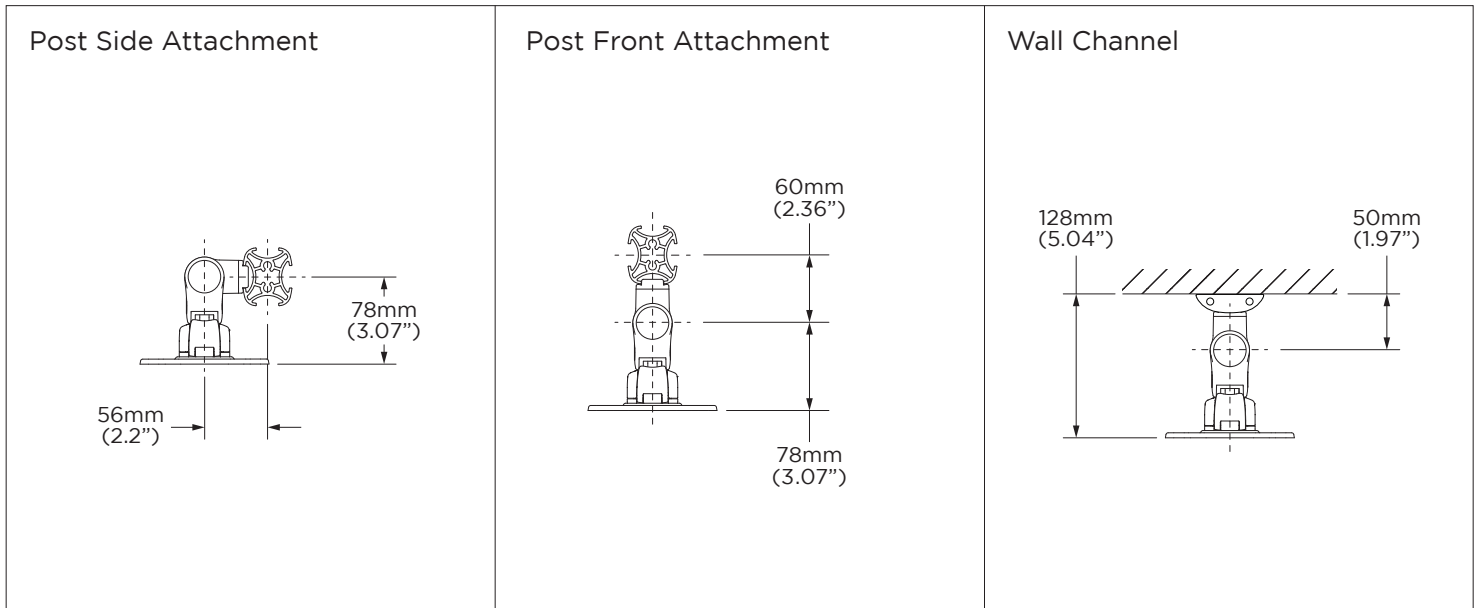
<p>Joint Movement <b>MAX 360°/180°</b></p> <p>Joint Movement 360°</p> <p>Pan Movement 360°</p> <p>Monitor Rotation 360°</p>	<p>Tilt Angle</p>
	<p>Weight</p> <p><b>MIN</b> 0kg (0lbs) <b>MAX</b> 12kg (26.4lbs)</p>

## 710 Arm AWM-A71

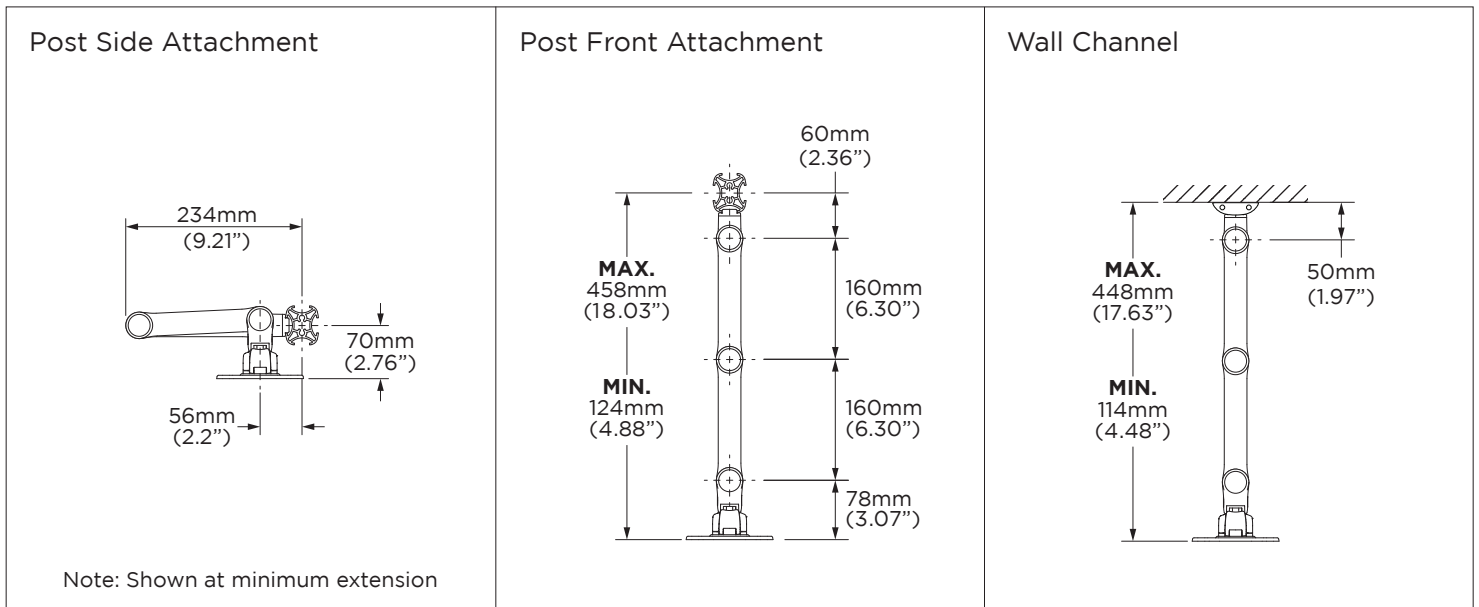
<p>Joint Movement <b>MAX 360°/180°</b></p> <p>Joint Movement 360°</p> <p>Pan Movement 360°</p> <p>Monitor Rotation 360°</p>	<p>Tilt Angle</p>
	<p>Weight</p> <p><b>MIN</b> 0kg (0lbs) <b>MAX</b> 9kg (20lbs)</p>

# ARMS DIMENSIONS

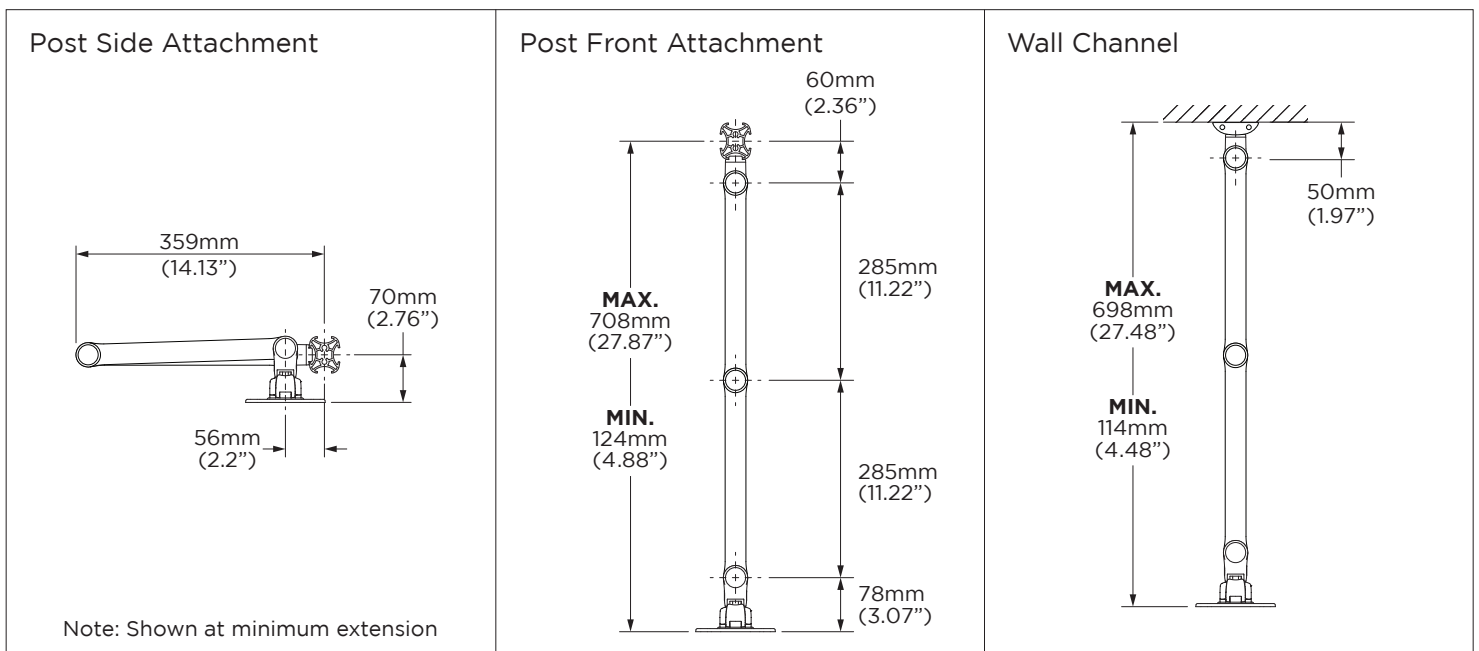
## 130 Arm AWM-A13



## 460 Arm AWM-A46



## 710 Arm AWM-A71

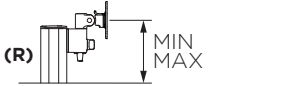

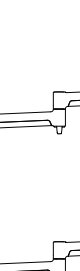


# ARMS HEIGHT ADJUSTMENT ON POSTS

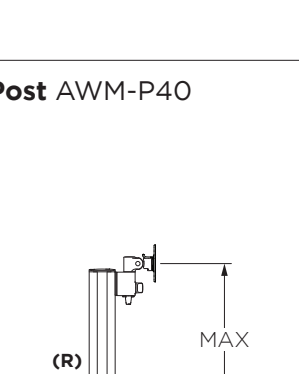
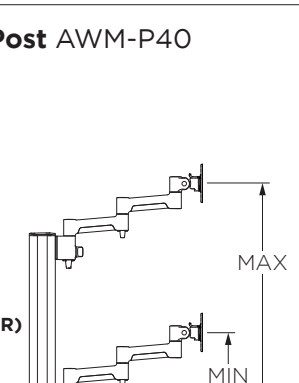
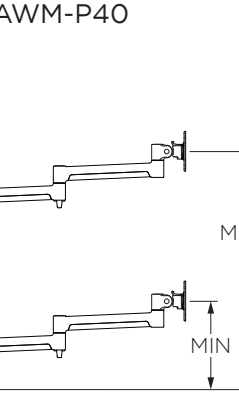
**Important Note:**

Measurements taken from centre of VESA mount.  
The C Clamp (AWM-FC) increases the minimum height by 26mm.

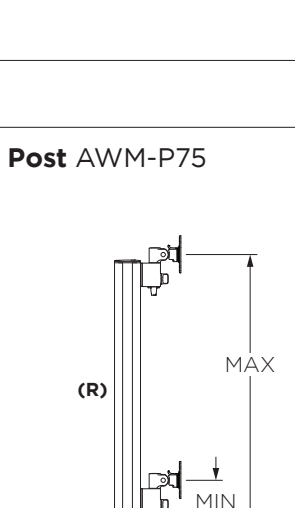
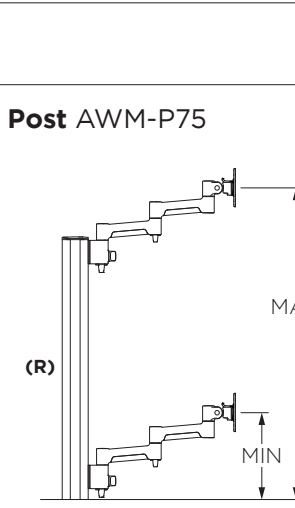
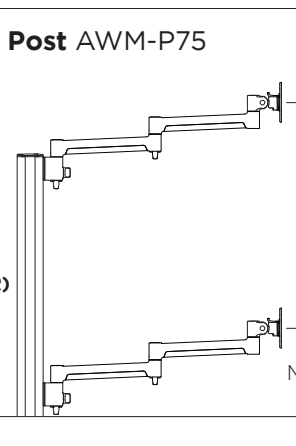
## 130 Arm AWM-A13 on Post

135 Post AWM-P13	400 Post AWM-P40	750 Post AWM-P75
 <p><b>MIN HEIGHT</b> 110mm (4.33") <b>MAX HEIGHT</b> 163mm (6.42") <b>RANGE (R)</b> 53mm (2.09")</p>	 <p><b>MIN HEIGHT</b> 110mm (4.33") <b>MAX HEIGHT</b> 428mm (16.85") <b>RANGE (R)</b> 318mm (12.52")</p>	 <p><b>MIN HEIGHT</b> 110mm (4.33") <b>MAX HEIGHT</b> 778mm (30.63") <b>RANGE (R)</b> 668mm (26.3")</p>

## 460 Arm AWM-A46 on Post

135 Post AWM-P13	400 Post AWM-P40	750 Post AWM-P75
 <p><b>MIN HEIGHT</b> 233mm (9.17") <b>MAX HEIGHT</b> 286mm (11.26") <b>RANGE (R)</b> 53mm (2.09")</p>	 <p><b>MIN HEIGHT</b> 233mm (9.17") <b>MAX HEIGHT</b> 551mm (21.69") <b>RANGE (R)</b> 318mm (12.52")</p>	 <p><b>MIN HEIGHT</b> 233mm (9.17") <b>MAX HEIGHT</b> 901mm (35.47") <b>RANGE (R)</b> 668mm (26.3")</p>

## 710 Arm AWM-A71 on Post

135 Post AWM-P13	400 Post AWM-P40	750 Post AWM-P75
 <p><b>MIN HEIGHT</b> 230mm (9.06") <b>MAX HEIGHT</b> 283mm (11.14") <b>RANGE (R)</b> 53mm (2.09")</p>	 <p><b>MIN HEIGHT</b> 230mm (9.06") <b>MAX HEIGHT</b> 548mm (21.57") <b>RANGE (R)</b> 318mm (12.52")</p>	 <p><b>MIN HEIGHT</b> 230mm (9.06") <b>MAX HEIGHT</b> 898mm (35.35") <b>RANGE (R)</b> 668mm (26.3")</p>

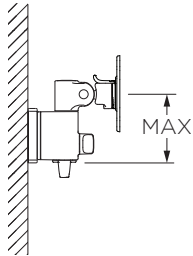
# ARMS HEIGHT ADJUSTMENT ON WALL CHANNELS

**Important Note:**

Measurements taken from bottom of wall channel to centre of VESA mount.

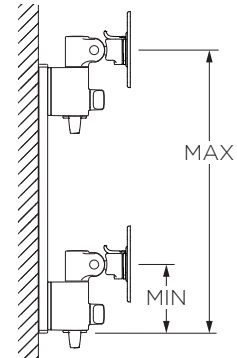
## 130 Arm AWM-A13 on Wall Channel

### 60 Wall Channel AWM-W6



**FIXED HEIGHT** 92mm (3.62")

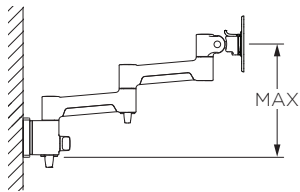
### 350 Wall Channel AWM-W35



**MIN HEIGHT** 92mm (3.62")  
**MAX HEIGHT** 382mm (15.04")  
**RANGE** 290mm (11.42")

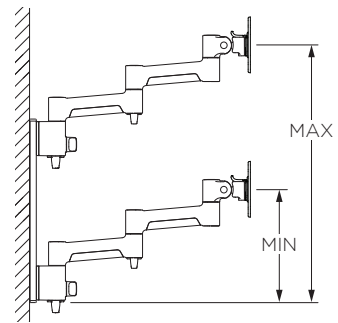
## 460 Arm AWM-A46 on Wall Channel

### 60 Wall Channel AWM-W6



**FIXED HEIGHT** 224mm (8.82")

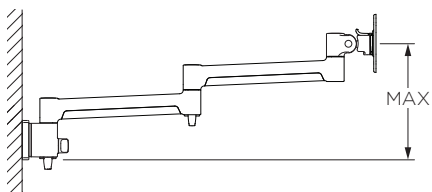
### 350 Wall Channel AWM-W35



**MIN HEIGHT** 224mm (8.82")  
**MAX HEIGHT** 514mm (20.24")  
**RANGE** 290mm (11.42")

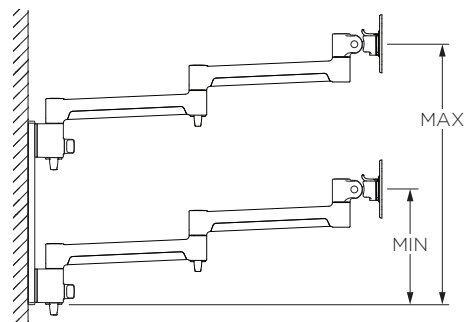
## 710 Arm AWM-A71 on Wall Channel

### 60 Wall Channel AWM-W6



**FIXED HEIGHT** 221mm (8.7")

### 350 Wall Channel AWM-W35



**MIN HEIGHT** 221mm (8.7")  
**MAX HEIGHT** 511mm (20.12")  
**RANGE** 290mm (11.42")

# DYNAMIC ARMS OVERVIEW

**Important Note:**

The rotation at the clamp can be reduced to 180° by using the rotation limiter ring. See product installation guide for instructions.

## Dynamic Arm AWM-AD with Channel Clamp AWM-LC

<p>MAX 360°/180°</p> <p>360°</p> <p>180° Pan Angle</p> <p>40°</p> <p>30°</p> <p>360°</p> <p>180° Pan Angle</p>	<p><b>Tilt Angle</b></p> <p>45°</p> <p>25°</p>
	<p><b>Weight</b></p> <p>kg (lb)</p> <p><b>MIN</b> 0kg (0lbs) <b>MAX</b> 9kg (20lbs)</p>

## Dynamic Link AWM-LD with Channel Clamp AWM-LC

<p>MAX 360°/180°</p> <p>180° Pan Angle</p> <p>40°</p> <p>30°</p> <p>360°</p> <p>180° Pan Angle</p>	<p><b>Tilt Angle</b></p> <p>45°</p> <p>25°</p>
	<p><b>Weight</b></p> <p>kg (lb)</p> <p><b>MIN</b> 0kg (0lbs) <b>MAX</b> 9kg (20lbs)</p>

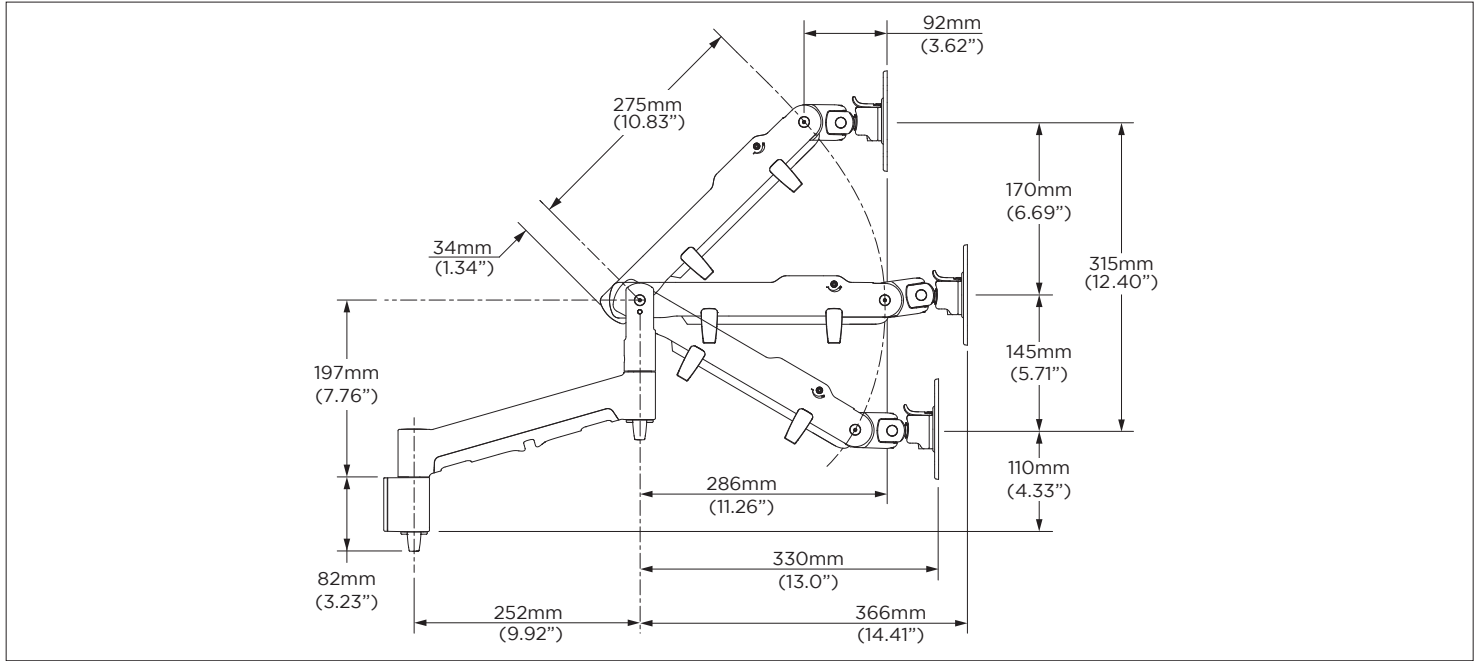
## Dynamic Arm AWM-AD with Arm Base AWM-LB

<p>MAX 360°/180°</p> <p>360°</p> <p>180° Pan Angle</p> <p>40°</p> <p>30°</p> <p>360°</p> <p>180° Pan Angle</p>	<p><b>Tilt Angle</b></p> <p>45°</p> <p>25°</p>
	<p><b>Weight</b></p> <p>kg (lb)</p> <p><b>MIN</b> 0kg (0lbs) <b>MAX</b> 9kg (20lbs)</p>

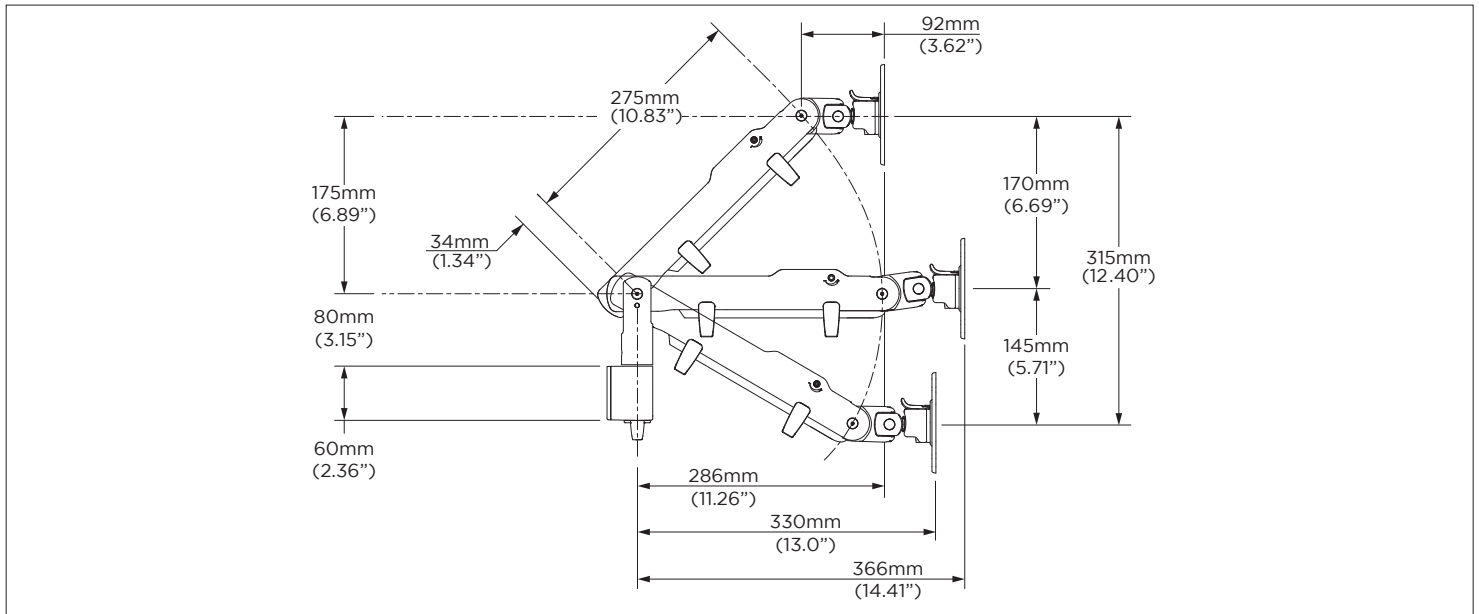


# DYNAMIC ARMS DIMENSIONS

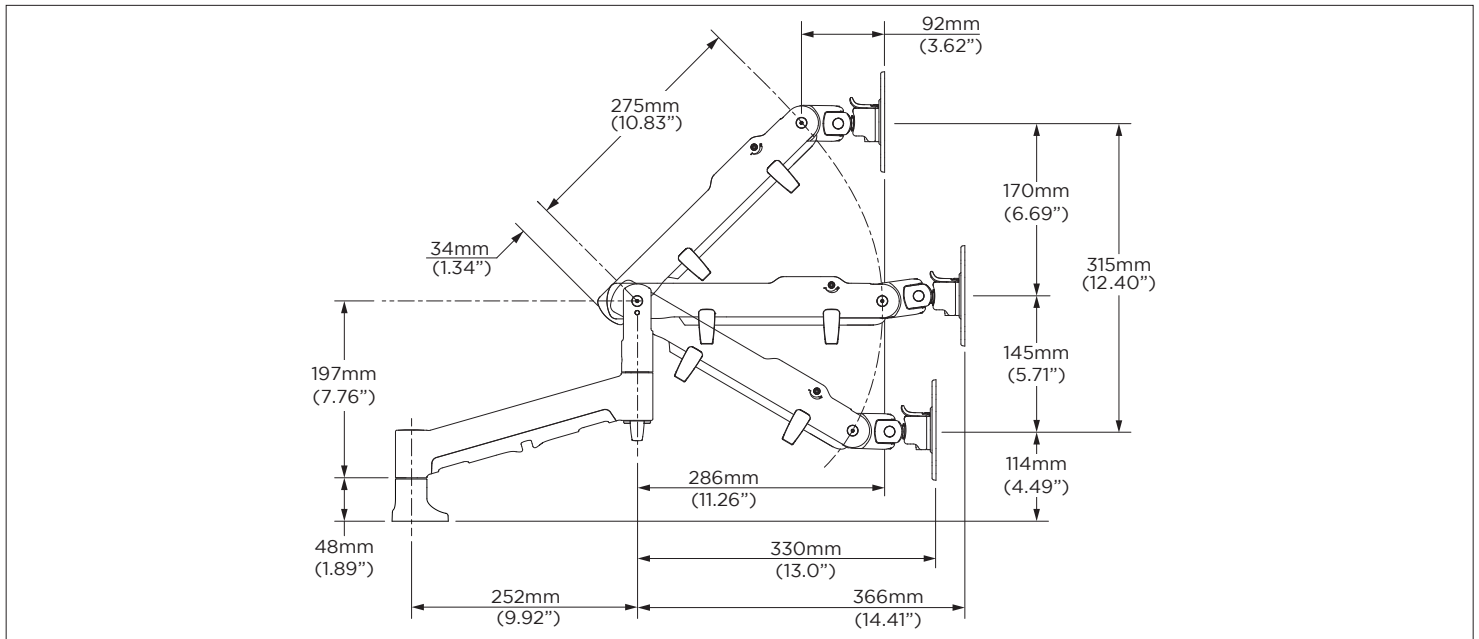
## Dynamic Arm AWM-AD with Channel Clamp AWM-LC



## Dynamic Link AWM-LD with Channel Clamp AWM-LC

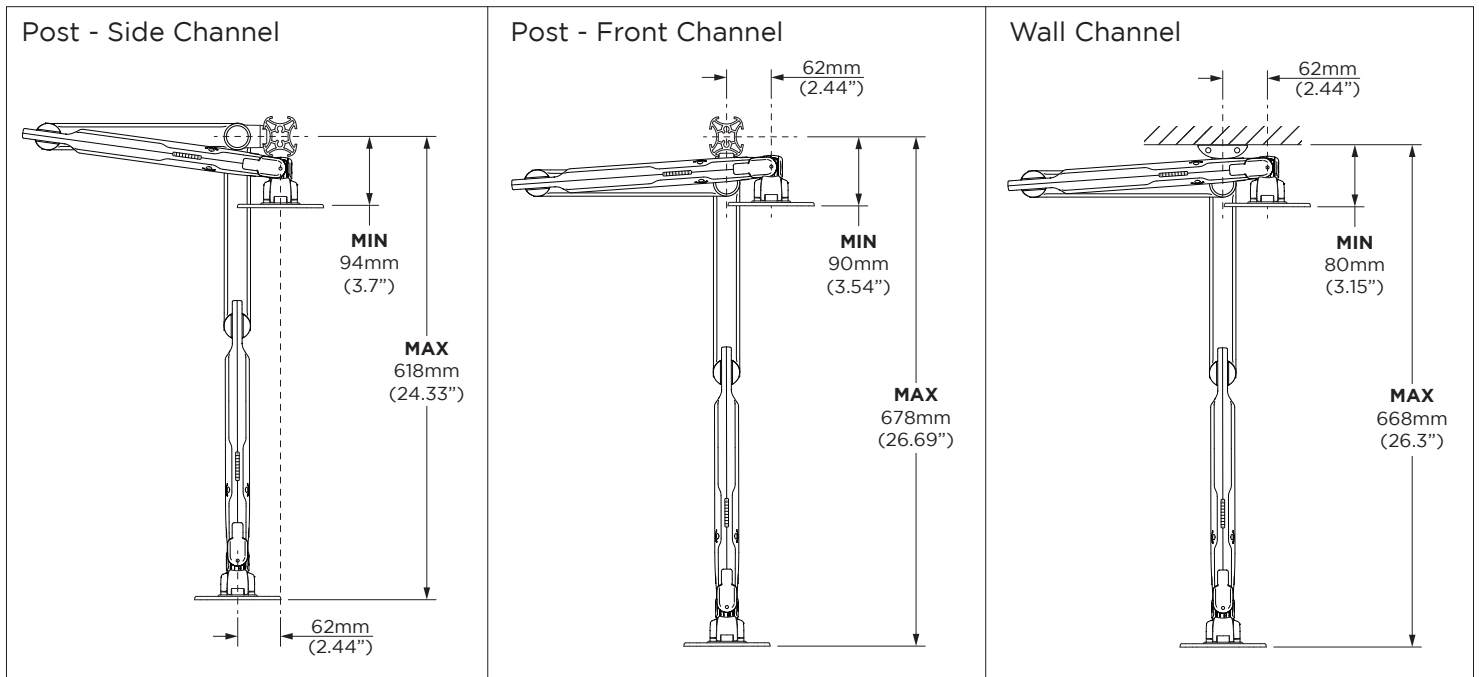


## Dynamic Arm AWM-AD with Arm Base AWM-LB

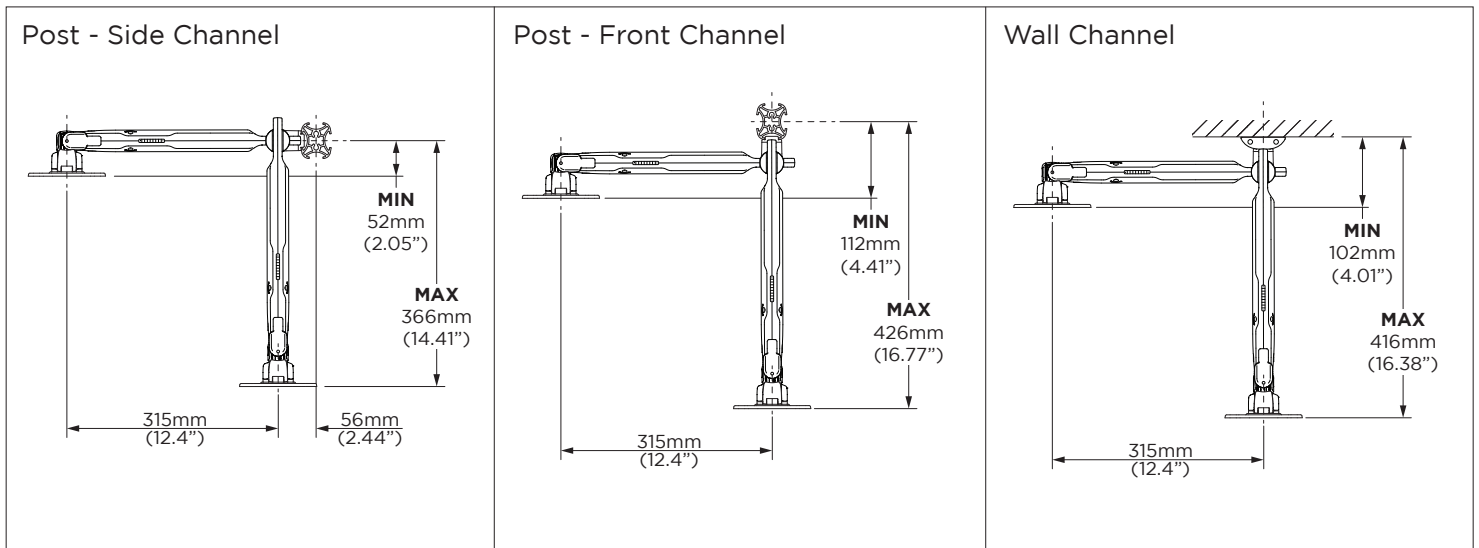


# DYNAMIC ARMS DIMENSIONS ON POSTS & WALL CHANNELS

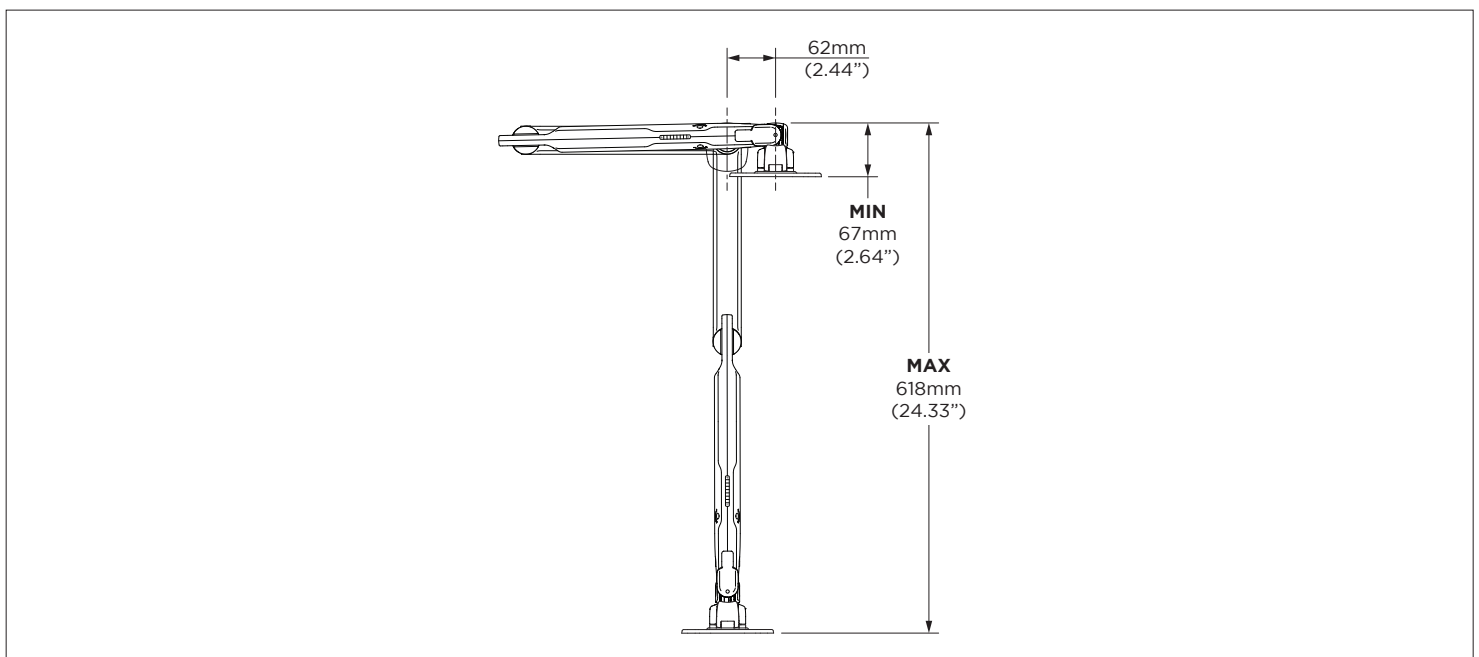
## Dynamic Arm AWM-AD with Channel Clamp AWM-LC



## Dynamic Link AWM-LD with Channel Clamp AWM-LC



## Dynamic Arm AWM-AD with Arm Base AWM-LB

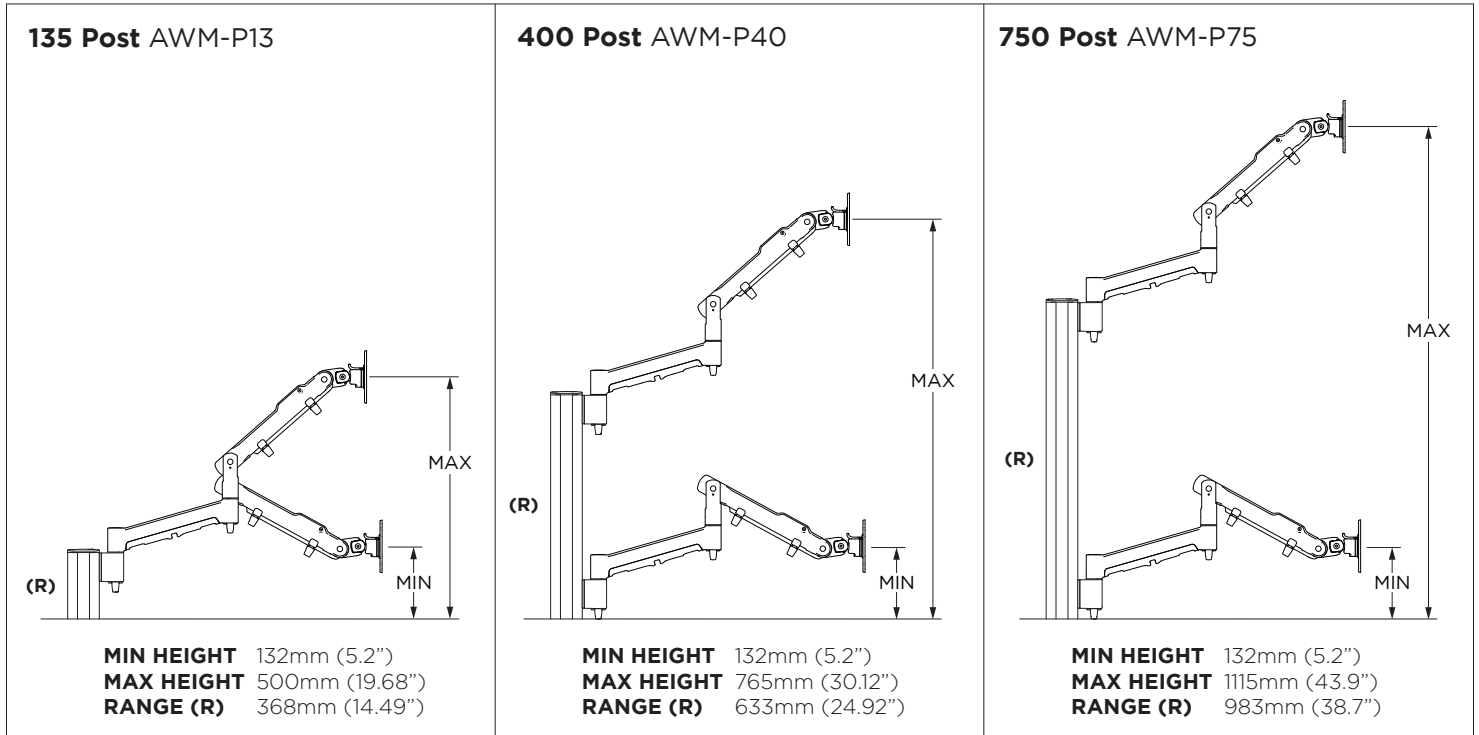


# DYNAMIC ARMS HEIGHT ADJUSTMENT ON POST

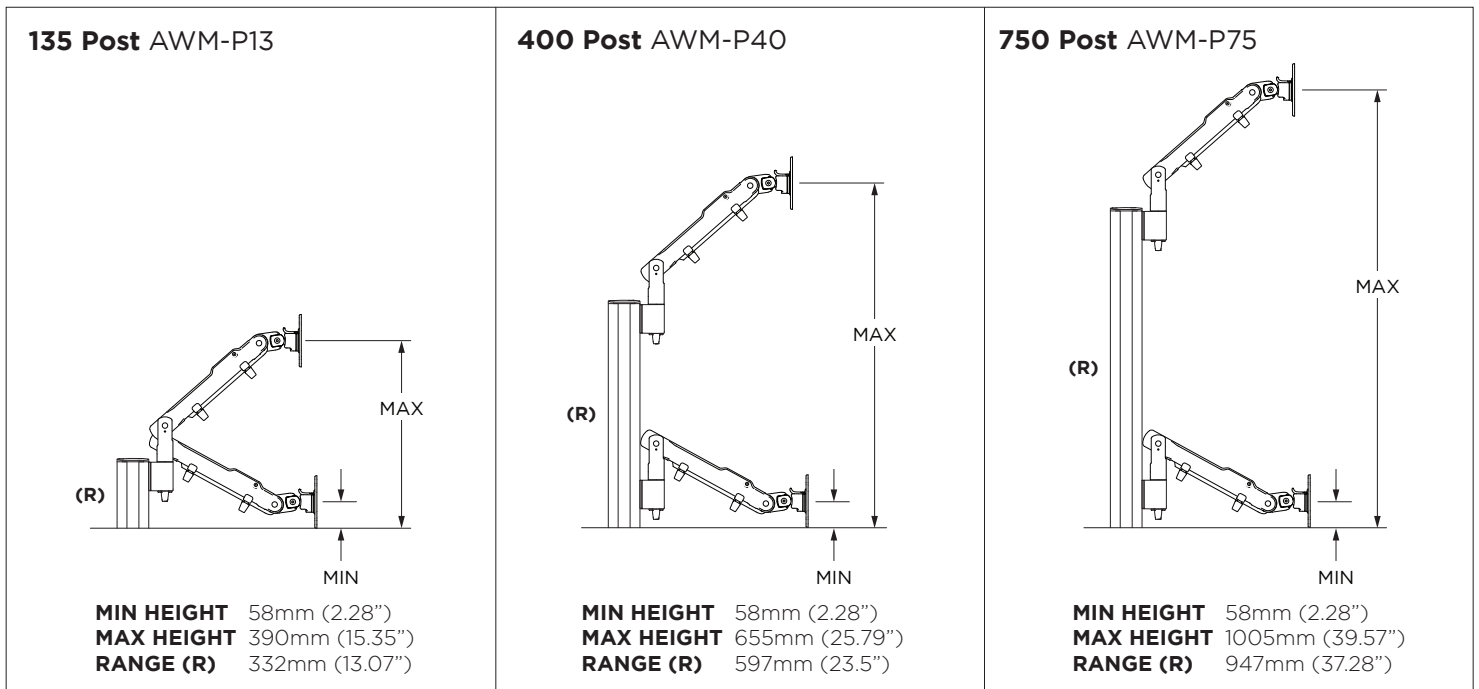
**Important Note:**

Measurements taken from centre of VESA mount.  
The C Clamp (AWM-FC) increases the minimum height by 26mm.

## Dynamic Arm AWM-AD with Channel Clamp AWM-LC



## Dynamic Link AWM-LD with Channel Clamp AWM-LC



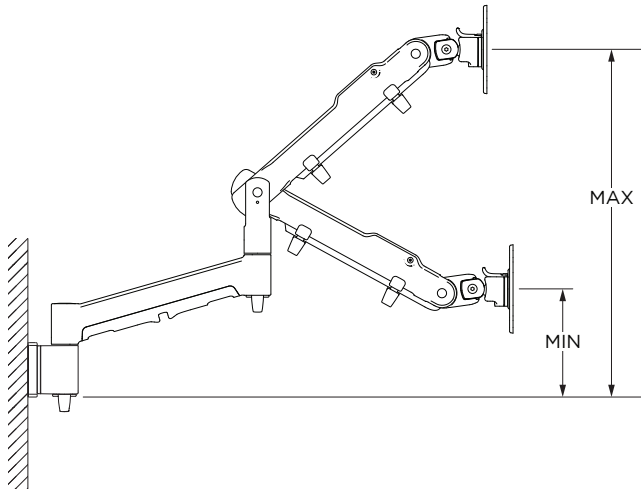
# DYNAMIC ARMS HEIGHT ADJUSTMENT ON WALL CHANNEL

**Important Note:**

Measurements taken from bottom of wall channel to centre of VESA mount.

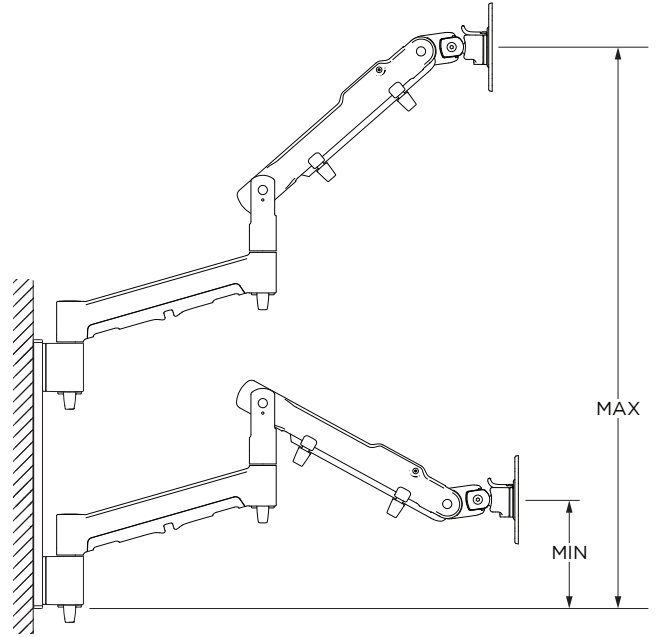
## Dynamic Arm AWM-AD with Channel Clamp AWM-LC

### 60 Wall Channel AWM-W6



**MIN HEIGHT** 115mm (4.53")  
**MAX HEIGHT** 430mm (16.93")  
**RANGE (R)** 315mm (12.4")

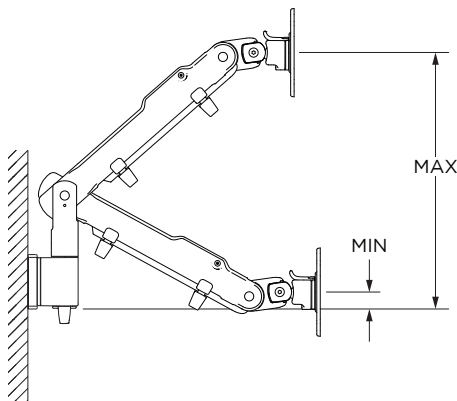
### 350 Wall Channel AWM-W35



**MIN HEIGHT** 115mm (4.53")  
**MAX HEIGHT** 728mm (28.35")  
**RANGE (R)** 613mm (23.82")

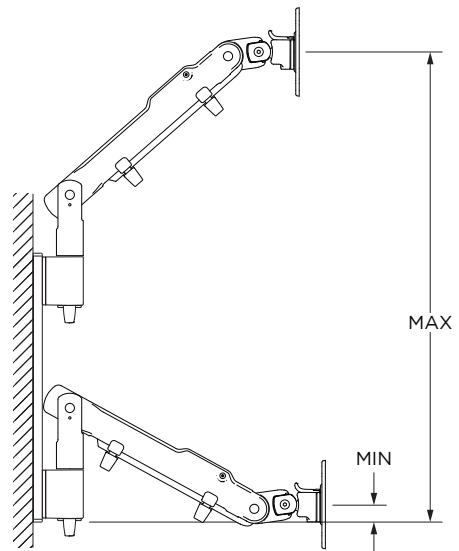
## Dynamic Link AWM-LD with Channel Clamp AWM-LC

### 60 Wall Channel AWM-W6



**MIN HEIGHT** 5mm (0.2")  
**MAX HEIGHT** 320mm (12.6")  
**RANGE (R)** 315mm (12.4")

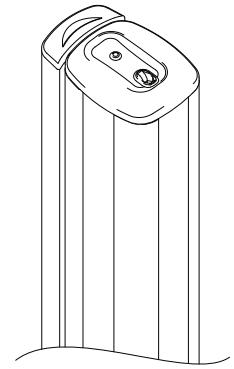
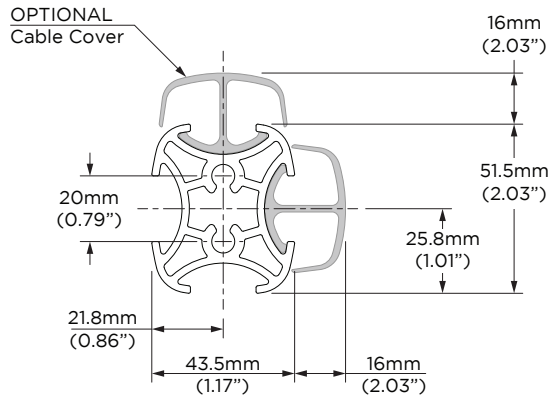
### 350 Wall Channel AWM-W35



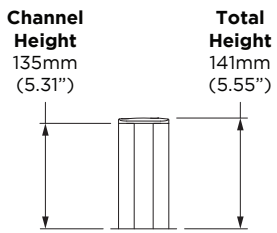
**MIN HEIGHT** 5mm (0.2")  
**MAX HEIGHT** 618mm (24.01")  
**RANGE (R)** 613mm (23.82")

# POST DIMENSIONS

Top View



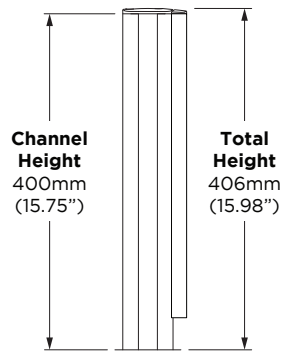
## 135 Post AWM-P13



Compatible Fixings:

- Bolt Through Kit AWM-FB
- C Clamp AWM-FC
- F Clamp AWM-FF
- HD F Clamp AWM-FH
- Grommet Clamp AC-GC

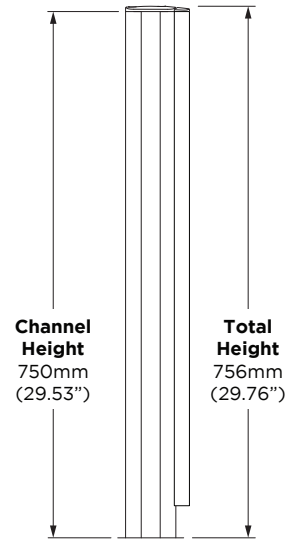
## 400 Post AWM-P40



Compatible Fixings:

- Bolt Through Kit AWM-FB
- C Clamp AWM-FC
- F Clamp AWM-FF
- HD F Clamp AWM-FH
- Grommet Clamp AC-GC

## 750 Post AWM-P75

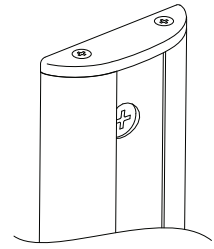
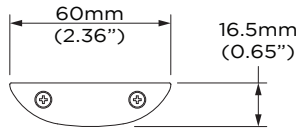


Compatible Fixings:

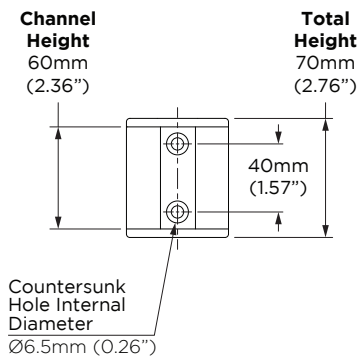
- Bolt Through Kit AWM-FB
- HD F Clamp AWM-FH
- Grommet Clamp AC-GC

# WALL CHANNEL DIMENSIONS

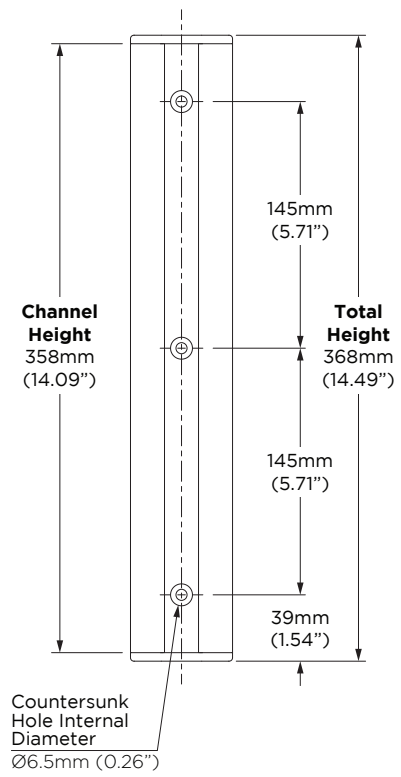
Top View



## 60 Wall Channel AWM-W6



## 350 Wall Channel AWM-W35



# FIXINGS

**Important Note:**

1. Any mounting surface must be capable of supporting the combined weight of all products and attached screens/devices.
2. Ensure that your monitor solution is rated to support the combined weight of all products and attached screens/devices.
3. All fixings are sold separately.

## Bolt Through Kit AWM-FB

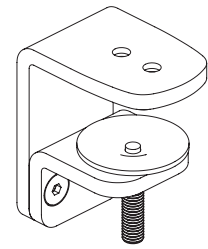
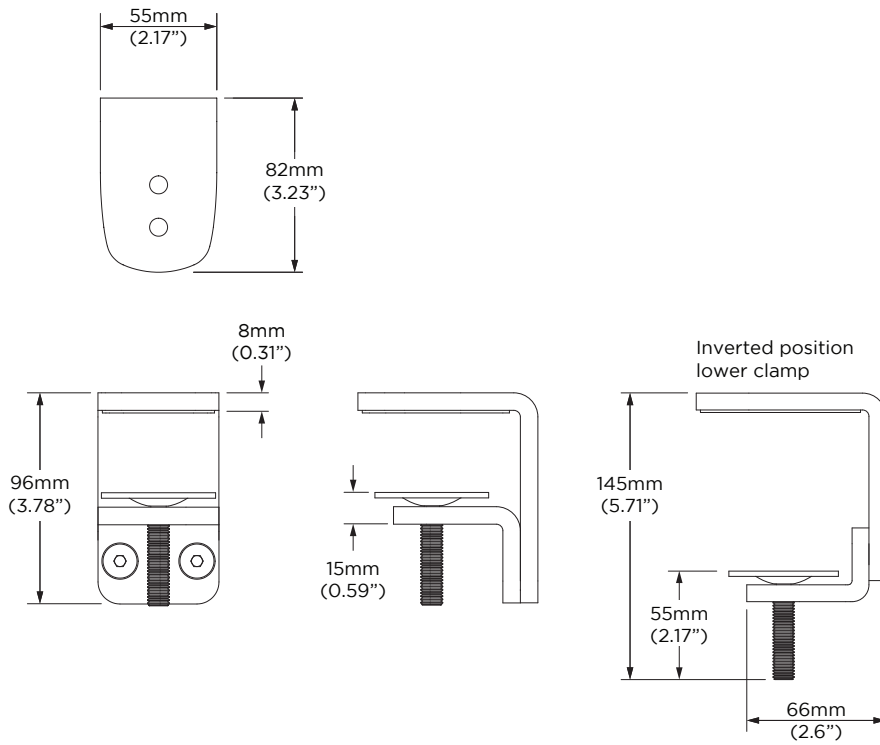
<p>Top View</p>	<p>Arm Base (3 washer) Installation</p>			
	<p>Post Installation</p>	<p>Worksurface Thickness</p> <table border="0"> <tr> <td style="text-align: center;"> <p><b>POST</b></p> <p>0 - 33mm (0 - 1.3")</p> </td> <td style="text-align: center;"> <p><b>ARM BASE</b></p> <p>15 - 33mm (0.59 - 1.3")</p> </td> </tr> </table>	<p><b>POST</b></p> <p>0 - 33mm (0 - 1.3")</p>	<p><b>ARM BASE</b></p> <p>15 - 33mm (0.59 - 1.3")</p>
<p><b>POST</b></p> <p>0 - 33mm (0 - 1.3")</p>	<p><b>ARM BASE</b></p> <p>15 - 33mm (0.59 - 1.3")</p>			

## C Clamp AWM-FC

<p>Dimensions</p>					
	<p>Worksurface Thickness</p> <table border="0"> <tr> <td style="text-align: center;"> <p><b>DEFAULT</b></p> <p>25 - 33mm (0.98 - 1.3")</p> </td> <td style="text-align: center;"> <p><b>INVERTED</b></p> <p>18 - 25.8mm (0.71 - 1.0")</p> </td> </tr> <tr> <td colspan="2" style="text-align: center;"> <p><b>RANGE 18-33mm (0.71 - 1.3")</b></p> </td> </tr> </table>	<p><b>DEFAULT</b></p> <p>25 - 33mm (0.98 - 1.3")</p>	<p><b>INVERTED</b></p> <p>18 - 25.8mm (0.71 - 1.0")</p>	<p><b>RANGE 18-33mm (0.71 - 1.3")</b></p>	
<p><b>DEFAULT</b></p> <p>25 - 33mm (0.98 - 1.3")</p>	<p><b>INVERTED</b></p> <p>18 - 25.8mm (0.71 - 1.0")</p>				
<p><b>RANGE 18-33mm (0.71 - 1.3")</b></p>					

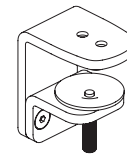
## F Clamp AWM-FF

### Dimensions



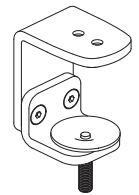
### Worksurface Thickness

#### DEFAULT



0 - 36mm  
(0 - 1.42")

#### INVERTED

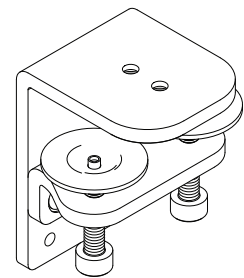
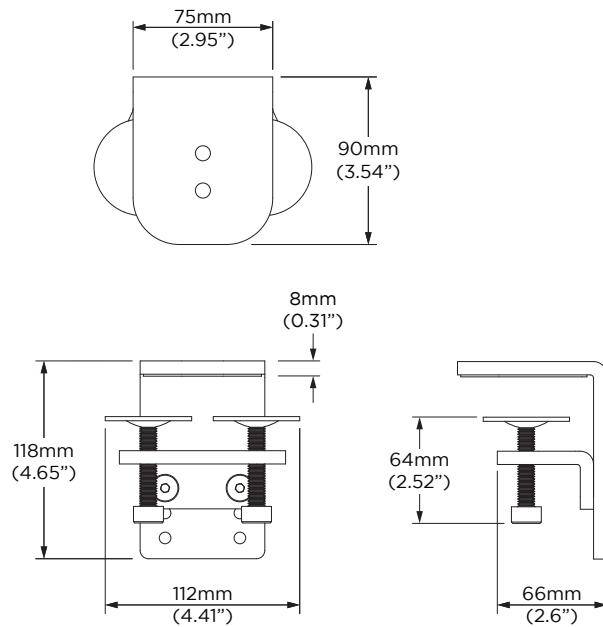


36 - 79mm  
(1.42 - 3.11")

**RANGE** 0-79mm (0 - 3.11")

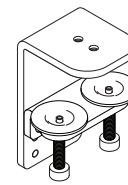
## Heavy Duty F Clamp AWM-FH

### Dimensions



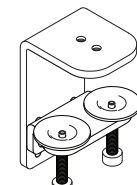
### Worksurface Thickness

#### TOP



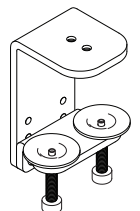
0 - 38mm  
(0 - 1.5")

#### MIDDLE



11-53mm  
(0.43"-2.09")

#### BOTTOM



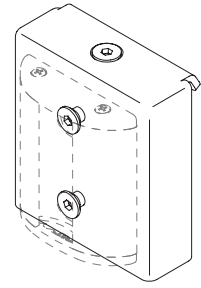
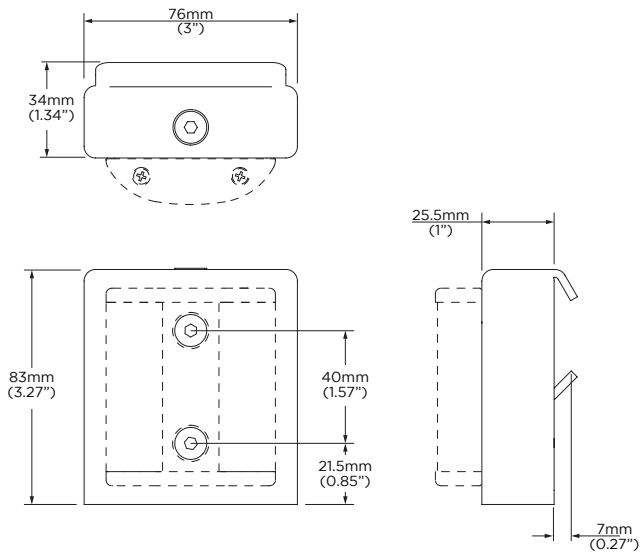
25-68mm  
(0.98"-2.68")

**RANGE** 0-68mm (0-2.68")

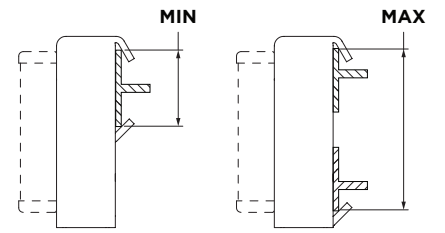


**Slat Wall Adaptor AWM-WS with 60 Wall Channel AWM-W6 (sold separately)**

**Dimensions**



**Slat Wall Groove Pitch**



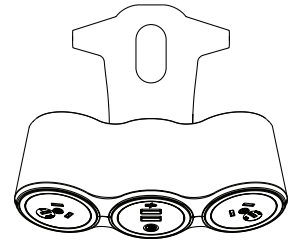
**MIN PITCH** 36mm (1.42")  
**MAX PITCH** 78mm (3.07")

## ACCESSORIES

### Power Module APM01

**Important Note:**

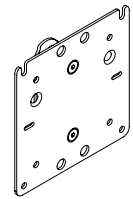
1. The Power Module is compatible with all AWM fixings.
2. The Power Module is compatible with standard devices such as:
  - Apple iPhone, iPad
  - Android devices
  - Samsung tablets
  - Blackberry devices
  - Windows devices
  - Most other common USB-compatible charging devices not listed here
3. 12 months limited warranty
4. For further details refer to the Power Module - APM01 Technical Specifications document.



### Mini PC Mount Plate AC-MP

**Important Note:**

1. Maximum weight load 5kg (11 lbs).
2. The Mini PC Mount Plate is compatible with all AWM Post and Wall Channel products.
3. The Mounting Plate can be placed at any height on the Post or Wall Channel as desired.
4. Compatible with Intel NUC® devices and VESA 75x75mm and 100x100mm hole pattern compliant devices.
5. Slots allow mounting of NUCs with both 84 and 95mm mounting hole spacings.
6. Ensure solution is rated to support combined weight of all products and attached screens/devices.
7. 10 years limited warranty (parts and workmanship).
8. For further details refer to the Mini PC Mount Plate - AC-MP Technical Specifications document.



### Grommet Clamp AC-GC

**Important Note:**

1. The Grommet Clamp fixing is compatible with AWM Series Post and Base products.
2. Ensure the overall solution is rated to support the combined weight of all products and attached screens/devices.
3. For further details refer to the Grommet Clamp Technical Specifications document.

