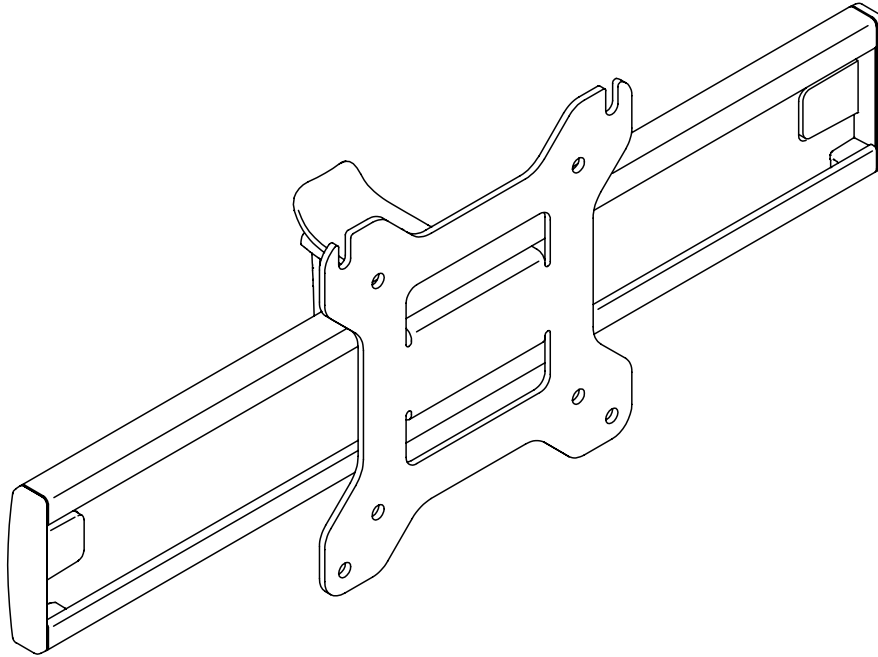
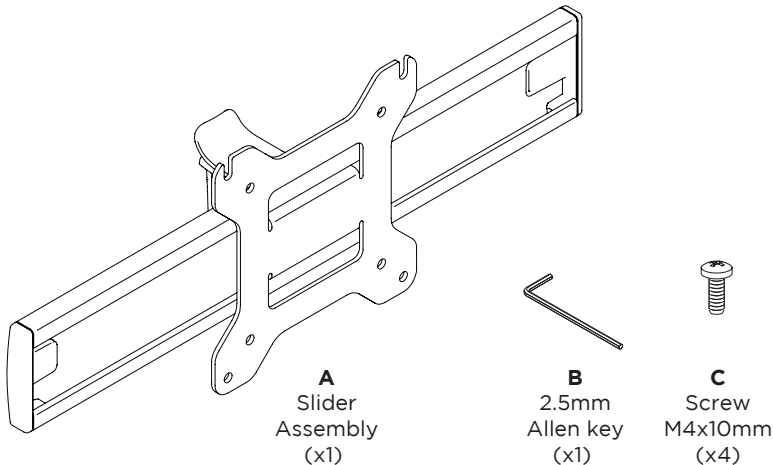


Slider



COMPONENT CHECKLIST



Desk

Wall

REQUIRED TOOLS

- Phillips Head Screwdriver

WEIGHT RANGE

0 - 7kg
(0 - 15lbs)

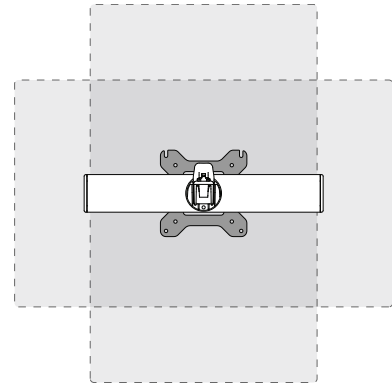
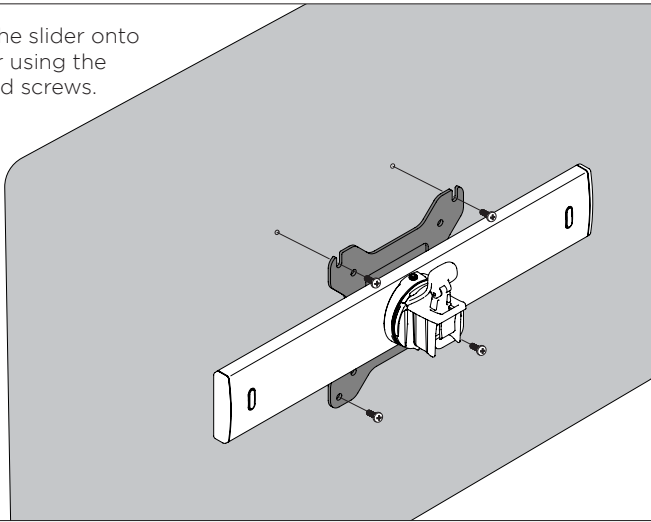
Monitor weight should be within the weight range of all modular elements that make up the complete monitor mounting solution.

IMPORTANT INFORMATION

- ! Please ensure this product is installed as per these installation instructions.
- ! Curved monitors, deep devices (such as all-in-one PCs) and offset VESA locations exert additional leverage that can exceed the capacity of the mount even though the monitor weight may be within the stated range.
- ! The manufacturer accepts no responsibility for incorrect installation.
- ! This product is compatible with AWM Series monitor arms: AWM-A13, AWM-A46, AWM-A71 and AWM-AD.

1. Attach slider to monitor

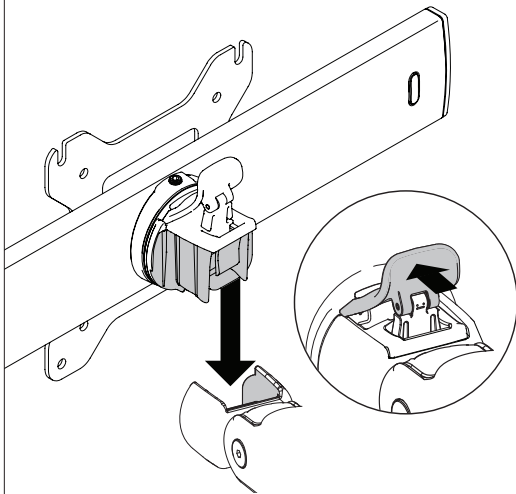
1.1 Fix the slider onto monitor using the provided screws.



Slider orientation should match your desired monitor orientation, **landscape** or **portrait**.

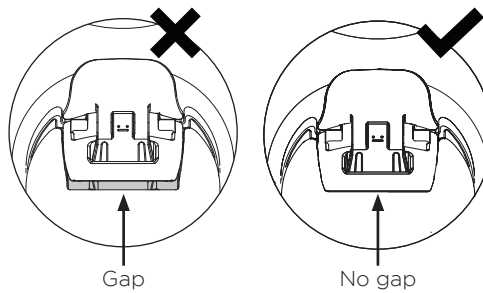
2. Mount slider on arm

2.1 Mount slider onto the monitor arm

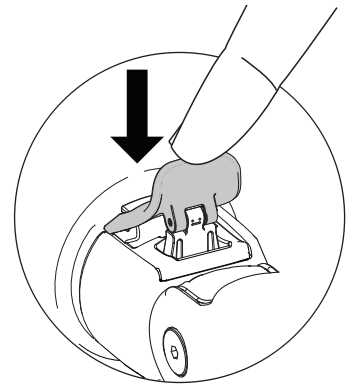


Note: Ensure the lever is unlocked when fitting.

2.2 Ensure that the slider is seated fully into the receptacle at the end of the monitor arm. There should be **no** gap.

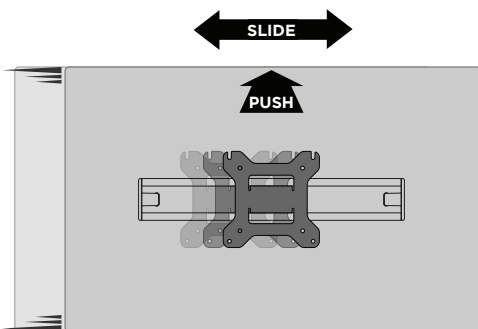


2.3 Push the lever down to secure it to the arm assembly

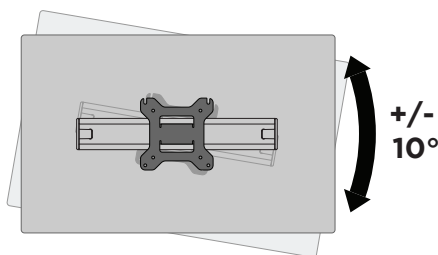


3. Adjust the monitor position

3.1 To adjust the monitor's horizontal position, tilt it back slightly and slide left or right.



3.2 To level the screen simply rotate it to the desired position.



3.3 (Optional) Monitor rotation tension may be adjusted by tightening or loosening a small screw with the provided allen key.

