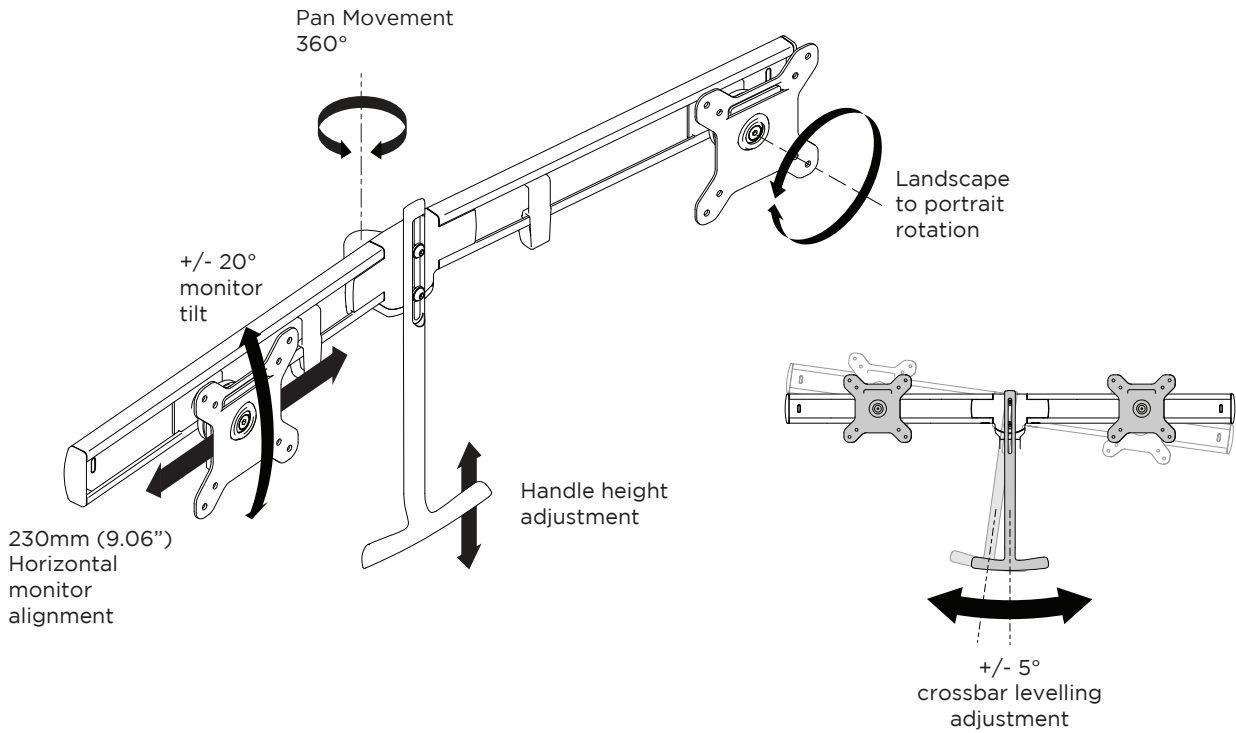
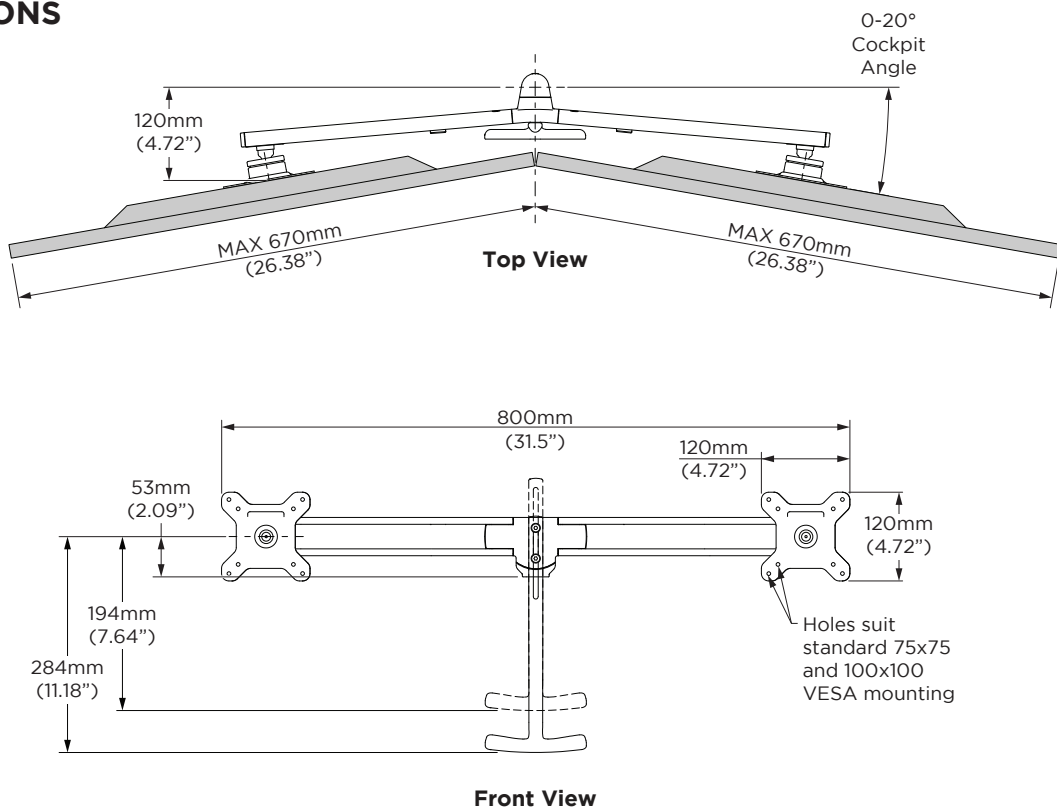


## Dual Crossbar

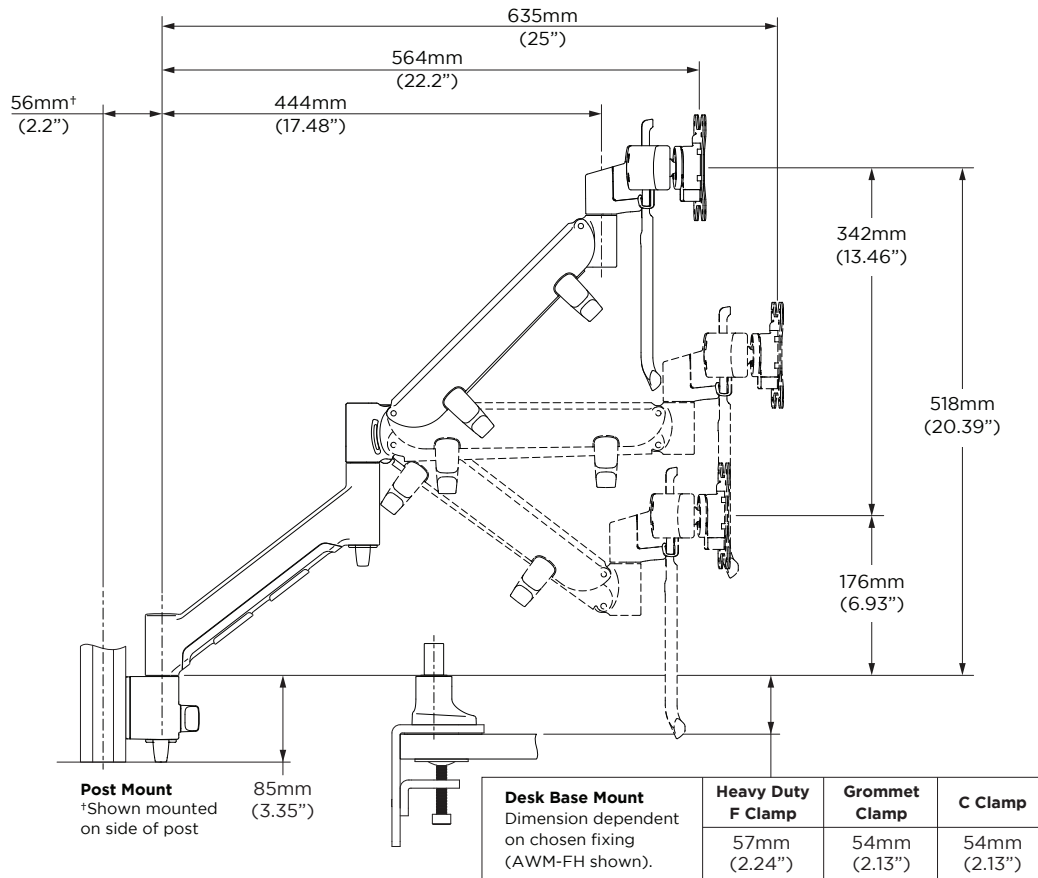
### MOVEMENT



### DIMENSIONS



## DIMENSIONS - WITH HEAVY DUTY DYNAMIC ARM (AWM-AHX)



## FEATURES

- Supports up to two 27" monitors.
- Compatible with AWM-AHX, AWM-A46, AWM-A71 and AWM-LC
- 230mm (9.06") of horizontal adjustment to align monitors.
- Up to 20° cockpit angle per monitor (dependent on monitor size).
- +/- 5° crossbar levelling adjustment.
- Quick monitor release/attachment mechanism.
- Height adjustable handle for effortless repositioning (included).
- 5kg (11lb) maximum weight difference between monitors.

<b>Monitor weight</b>	2 - 7kg (4.5 - 15lb)* per monitor
<b>Tilt angle</b>	+/- 20°
<b>Monitor rotation</b>	360°
<b>Levelling adjustment</b>	+/- 5°
<b>VESA mounting</b>	75x75   100x100

\*+1kg (2.5lbs) per monitor when mounted directly to AWM-LC

\*Monitor weight should be within the weight range of all modular elements that make up the complete monitor mounting solution.

\*Curved monitors, deep devices (such as all-in-one PCs) and offset VESA locations exert additional leverage that can exceed the capacity of the mount even though the monitor weight may be within the stated range. Please contact Atdec if you would like further information.

## WARRANTY

10 years limited

# ATDEC

No portion of this document or any artwork contained herein should be reproduced in any way without the express written consent of Atdec Pty Ltd. Due to continuing product development, the manufacturer reserves the right to alter specifications without notice. ©20190208

atdec.com | atdec.co.uk | atdec.com.au

Please Recycle ♻️

AWM-LR Page 2 of 2