

AWMS-3-13714

15.7" Post With Three Monitor Arms

The AWMS-3-13714 is a triple display combination attached to a 15.7" post. Display height, optimal viewing angle and orientation can be set to individual requirements.



Set & Forget desk mounting solutions

Tool-free

viewing angle adjustment. Landscape to portrait rotation

Ideal for

3 x 24" displays or 3 x 27" with the monitor slider accessory (see reverse page for details)

Quick display release

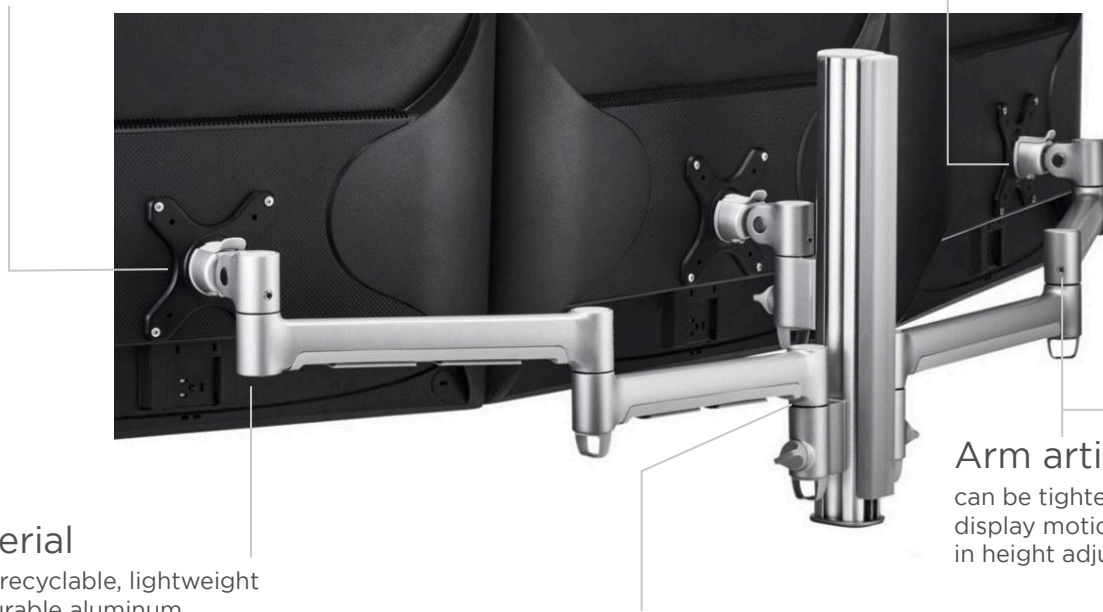
mechanism for easy installation



75 x 75
100 x 100



Up to 20lb
(side arms)
Up to 26.5lb
(middle arm)



Material

100% recyclable, lightweight yet durable aluminum

Available in silver, black or white



Arm articulation

can be tightened to minimize display motion & reverberation in height adjustable desks

Arm rotation stopper

Built-in 180° rotation stopper to prevent interference with walls or desk partitions

Advanced cable management

10 year warranty

AWM modular mounting family



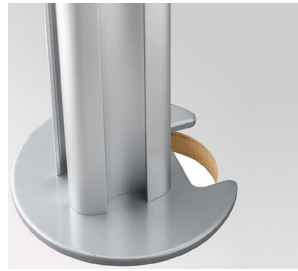
Desk fixing options (sold separately)

Bolt through AWM-FB



Offers flexible mounting position. Used when attachment to the edge of the desk is not possible. Suitable for desks up to 1.3".

Grommet clamp AC-GC



Can be used as a bolt through or grommet hole mounting option. The plate provides extra stability for heavy loads.

F-clamp AWM-FF



Traditional two-piece design that is used for retrofit and thicker desk surfaces up to 3.1".

C-clamp AWM-FC



Suited to desks with potential to interfere with the elements under the desk such as cable cages. Suitable for desks up to 1.3".

Accessories

The display mounting head can be replaced with the AWM-RL dual crossbar to accommodate two monitors. The arm can also be attached to any AWM post via AWM-LC channel clamp.

Notebook holder SNTB



Slider accessory AWM-HS



Mini PC mounting plate AC-MP



Universal tablet holder AC-AP-UTH



Ordering AWMS-3-13714 and accessories

AWMS-3-13714 consists of the following parts:

- 1 x AWM-P40 15.7" post
- 3 x AWM-LC post channel clamps
- 2 x AWM-A71 display arms
- 1 x AWM-A13 display arm

For all AWM components, add -S for silver, -B - for black and -W for white at the end of the main code.

Desk fixing options:

- AWM-FB bolt through
- AWM-FF F-clamp
- AWM-FC C-clamp
- AC-GC grommet clamp

Accessories:

- AWM-HS monitor slider accessory
- SNTB notebook holder
- AC-MP mini PC mounting plate
- AC-AP-UTH universal tablet holder



Atdec Uncover™ is where our infinite mounting possibilities become your specific mounting solutions.



Call us on 888 303 4252 to discuss your next project or visit atdec.com/workspace