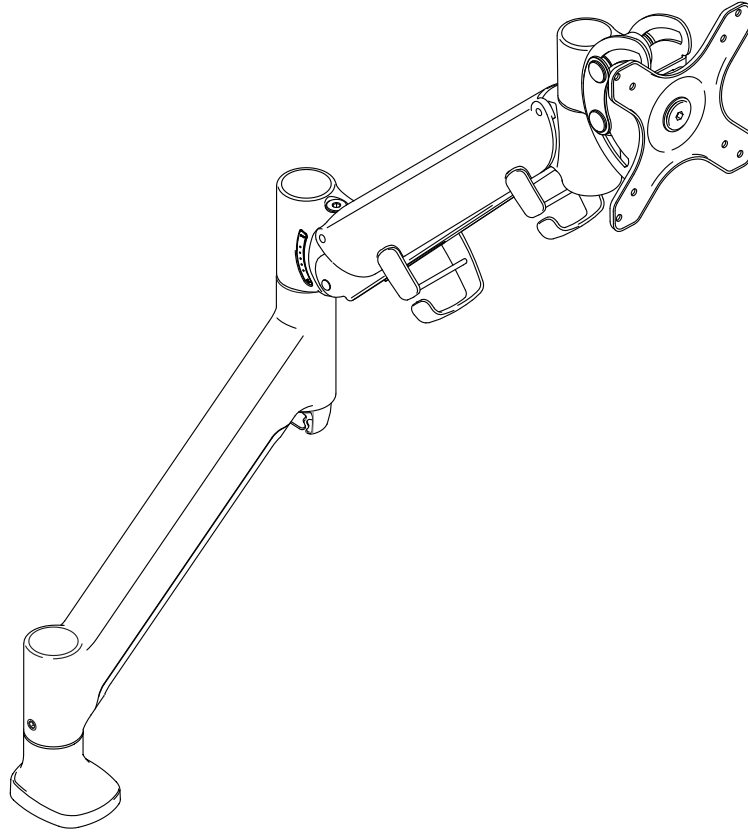


Desk Mount Heavy Duty Dynamic Monitor Arm



FEATURES

- Counterbalanced vertical movement for larger, heavier monitors.
- Tension gauge makes installation of multiple arms faster.
- Integrated, optional 180° rotation limiter to prevent interference with desk mounted panels and dividers.
- Balanced tilt mechanism for larger and heavier monitors. Also features tool free adjustment.
- Cable management with generous capacity, guides cables discreetly down the arm to the work surface.

Monitor weight range

Flat Monitor

6 - 16kg (13 - 35lb)*

Curved Monitor

6 - 12kg (13 - 26.5lb)*

Horizontal adjustment

444mm (17.48")

Vertical adjustment

342mm (13.46")

Tilt angle

55° upward | 35° down

Monitor rotation

360°

VESA mounting

75x75 | 100x100

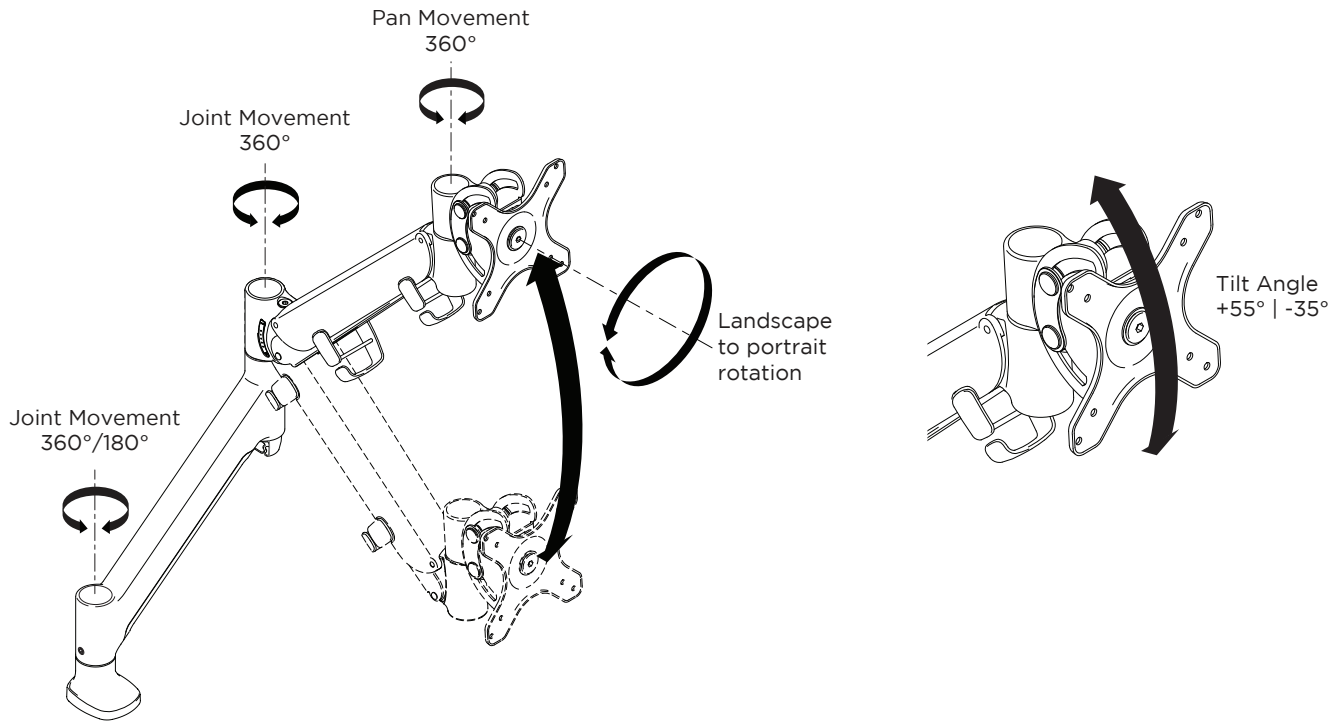
*Monitor weight should be within the weight range of all modular elements that make up the complete monitor mounting solution.

*Curved monitors, deep devices (such as all-in-one PCs) and offset VESA locations exert additional leverage that can exceed the capacity of the mount even though the monitor weight may be within the stated range. Please contact Atdec if you would like further information.

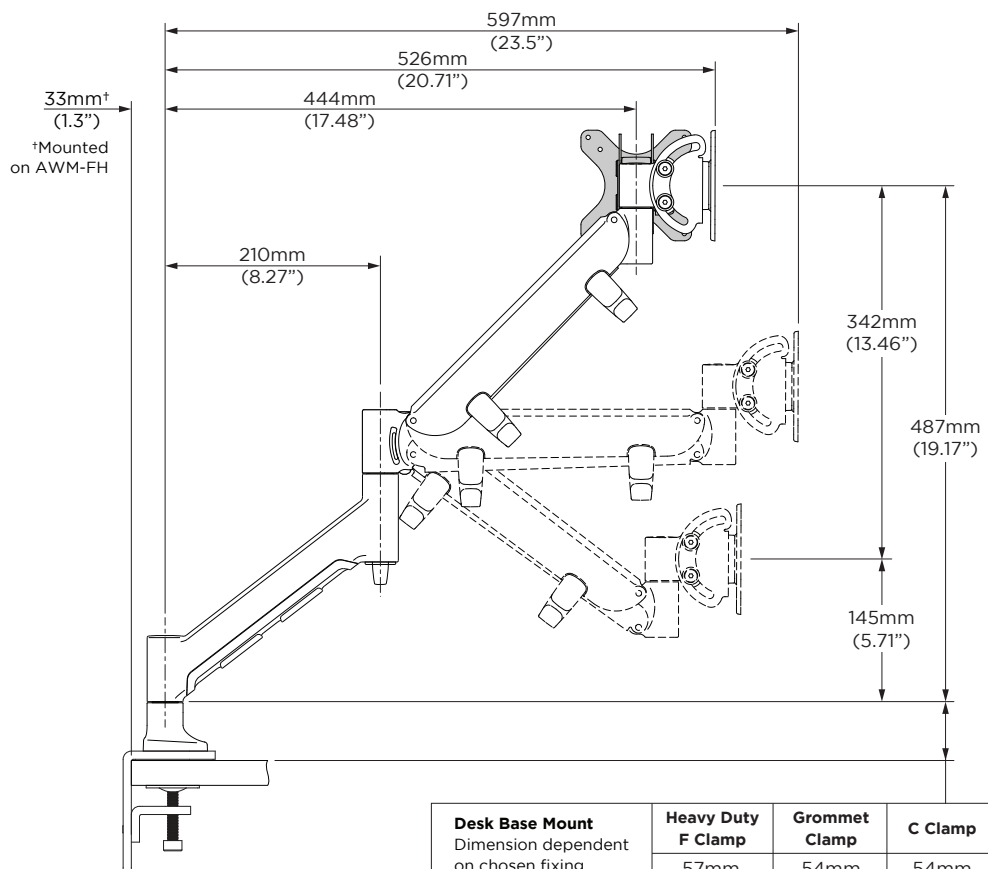
WARRANTY

10 years limited

MOVEMENT



DIMENSIONS

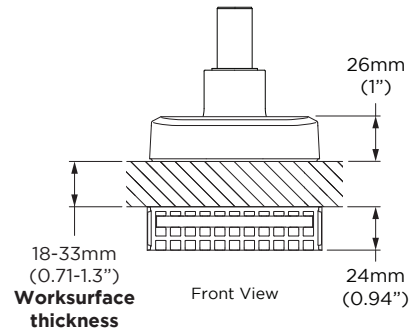
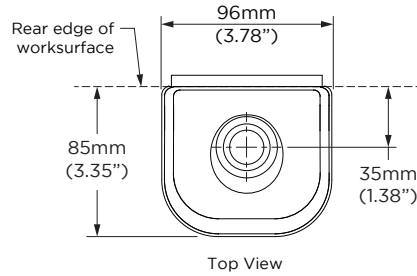
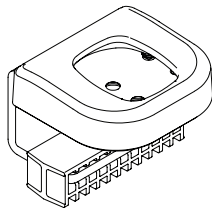


Desk Base Mount	Heavy Duty F Clamp	Grommet Clamp	C Clamp
Dimension dependent on chosen fixing (AWM-FH shown).	57mm (2.24")	54mm (2.13")	54mm (2.13")

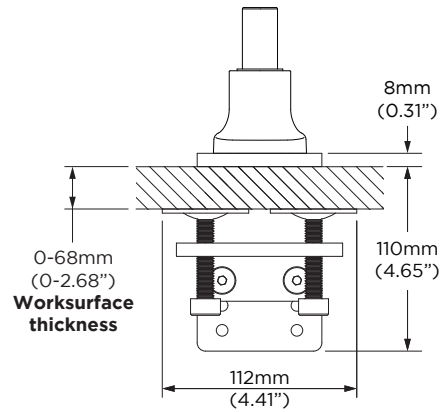
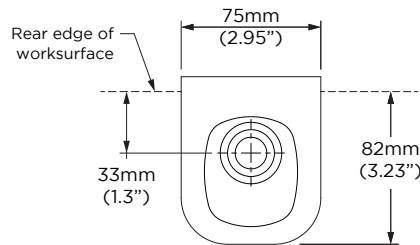
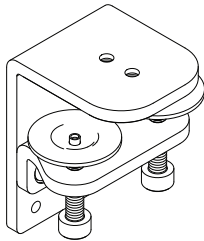
DESK FIXING OPTIONS

Below are the fixing options available for this solution. For more information and detailed specifications for these products please see the separate Technical Specifications available on the Atdec website.
 Note: Chosen desk fixing must be added to this solution code when ordering.

C CLAMP AWM-FC



HEAVY DUTY F CLAMP AWM-FH



GROMMET CLAMP AC-GC

Suitable for bolt through installations

