

TH-3065-LPT

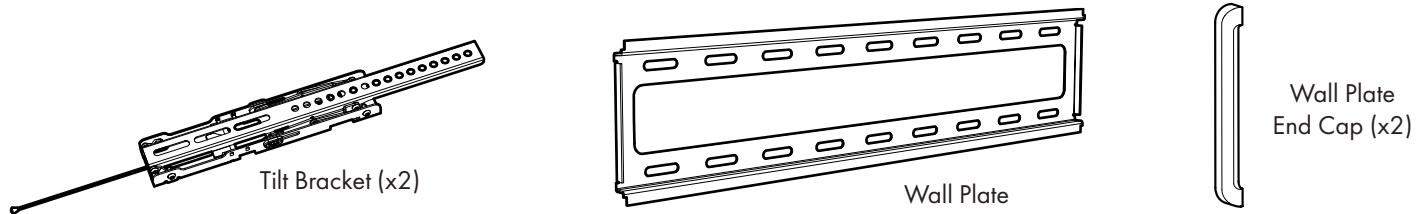
**Touchboards**

205 Westwood Ave, Long Branch, NJ 07740  
 Phone: 866-94 BOARDS (26273) / (732)-222-1511  
 Fax: (732)-222-7088 | E-mail: sales@touchboards.com

**Installation Instructions**  
**telehook**

Flat Screen Wall Mount | Tilt

**Component Checklist**



Tools Required	Display Mounting Hardware						Wall Mounting Hardware		
<ul style="list-style-type: none"> <li>• Power Drill</li> <li>• Phillips Head Screwdriver</li> <li>• 5mm (1/4") Drill Bit</li> <li>• 10mm (3/8") Masonry Drill Bit</li> <li>• 13mm (1/2") Socket Wrench or Shifter</li> </ul>	<b>A1</b> M4x12/25 (x4 each)	<b>A2</b> M5x12/25 (x4 each)	<b>A3</b> M6x12/25 (x4 each)	<b>A4</b> M8x16/25 (x4 each)	<b>A5</b> M8 Spacer (x4 each)	<b>A6</b> Multi Washer (x4 each)	<b>B1</b> Coach Screw (x4 each)	<b>B2</b> Nylon Anchor (x4 each)	<b>B2</b> Washer (x4 each)

**IMPORTANT INFORMATION**

**! IMPORTANT Install Telehook TH-3065-LPT Wall Mount as per the Installation Instructions**

! This product supports a maximum load of 40Kg (88 lbs).

! This product only supports displays with mounting hole configurations from 100mm x 100mm (min.) to 600mm x 400mm (max.).

! The manufacturer does not accept responsibility for incorrect installation.

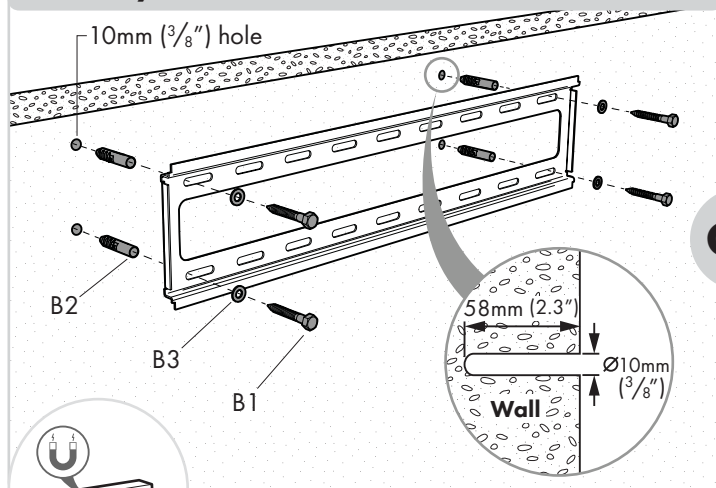
! Before installing this Telehook product, please check the display ventilation requirements with your LED/LCD manufacturer.

**Step 1. Check Components**

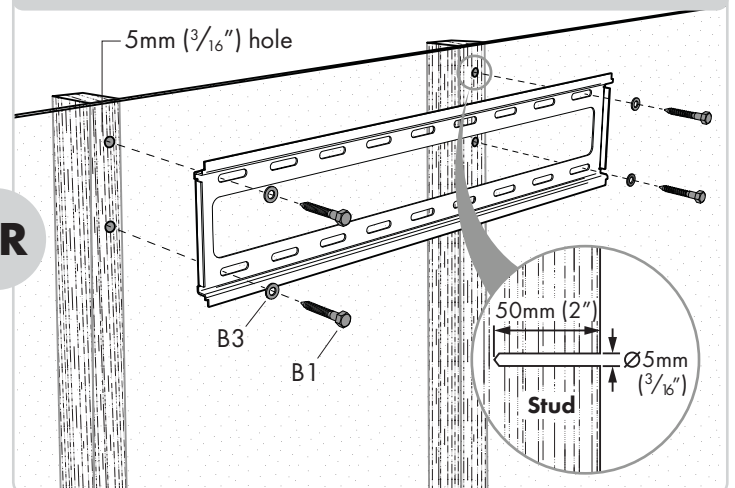
Check you have received all parts by comparing supplied parts against the Component Checklist and Hardware lists above.

**Step 2. Mount the Wall Plate**

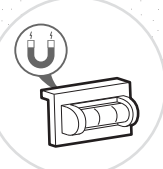
**Masonry Wall**



**Timber Stud**



**OR**



**Tip:** Use the supplied magnetic bubble level to ensure wall plate is horizontal.

**Note:** Use a stud finder to accurately locate the centre of each stud. Ensure that all four screws are fixed securely into the studs.

### Step 3. Attach Tilt Brackets to Screen

**A1 | A2 | A3 | A4**

Mounting Screw

**A6** Multi-washer

For M8 Screws

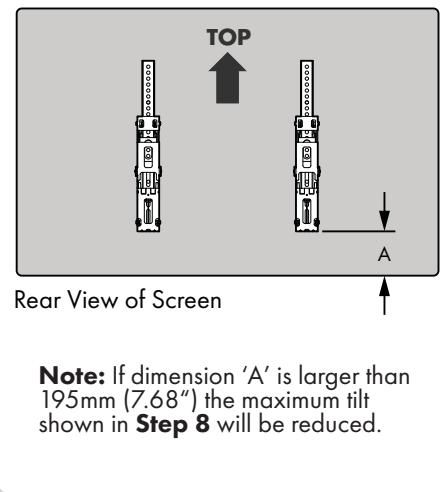
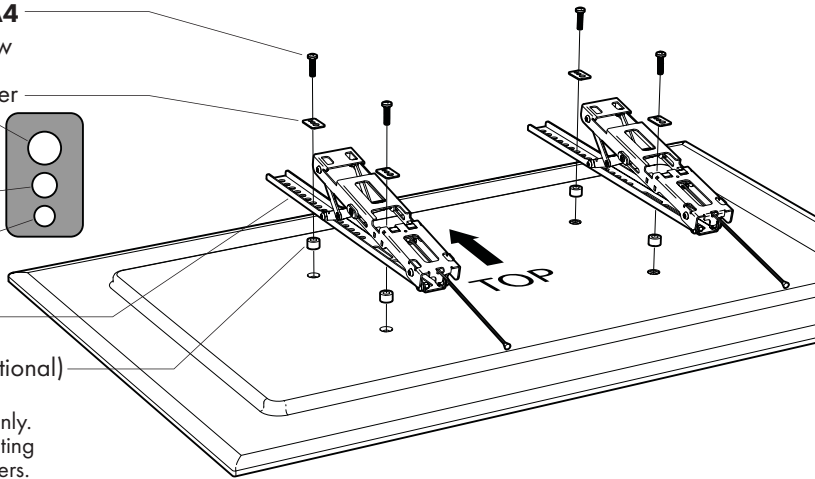
For M5 & M6 Screws

For M4 Screws

Tilt Bracket

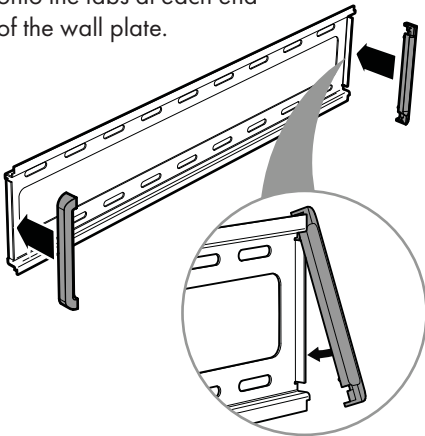
**A5** Spacer (optional)

Use for recessed mounting holes only. Use longer mounting screws with spacers.



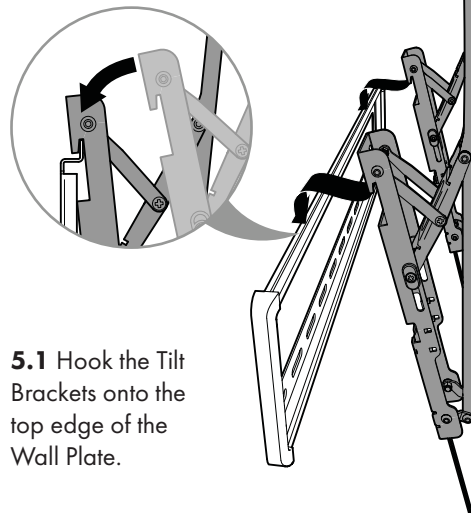
### Step 4. Attach End Caps

Push each of the End Caps onto the tabs at each end of the wall plate.

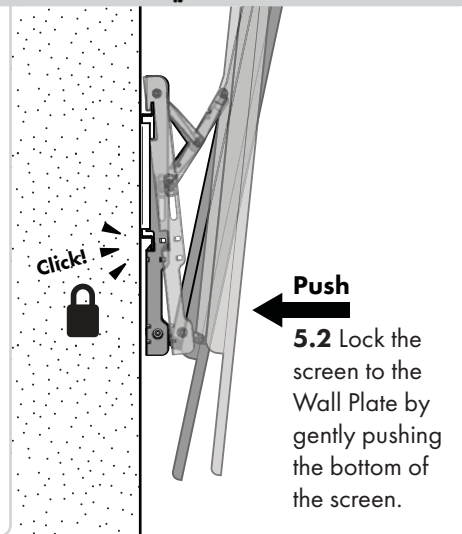


### Step 5. Attach Screen to Wall Plate

**x2** (two people required)

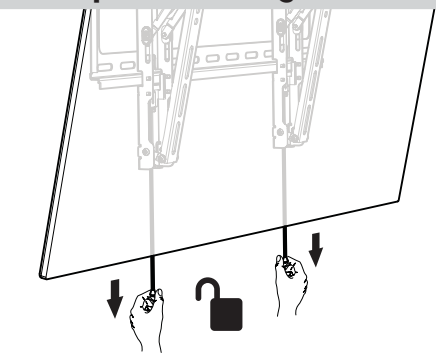


**5.1** Hook the Tilt Brackets onto the top edge of the Wall Plate.



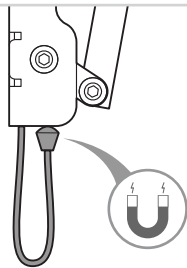
**5.2** Lock the screen to the Wall Plate by gently pushing the bottom of the screen.

### Step 6. Unlocking Screen

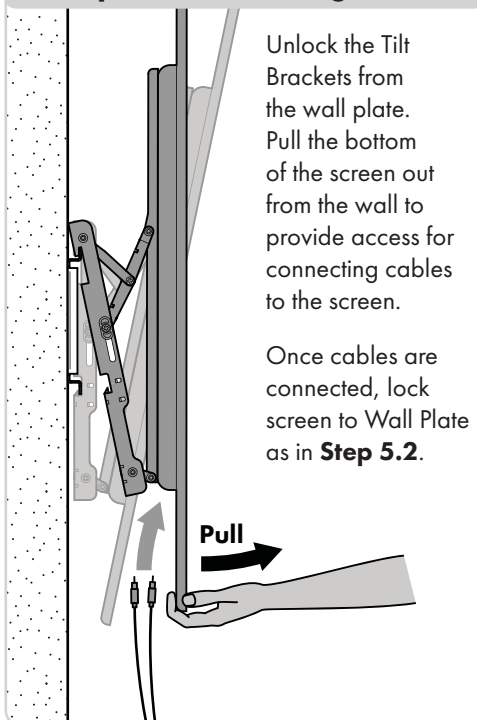


Pull down both strings to unlock the Tilt Brackets from the Wall Plate.

**TIP:** Hide strings by sticking magnetic pendants onto the Tilt Brackets behind the screen.



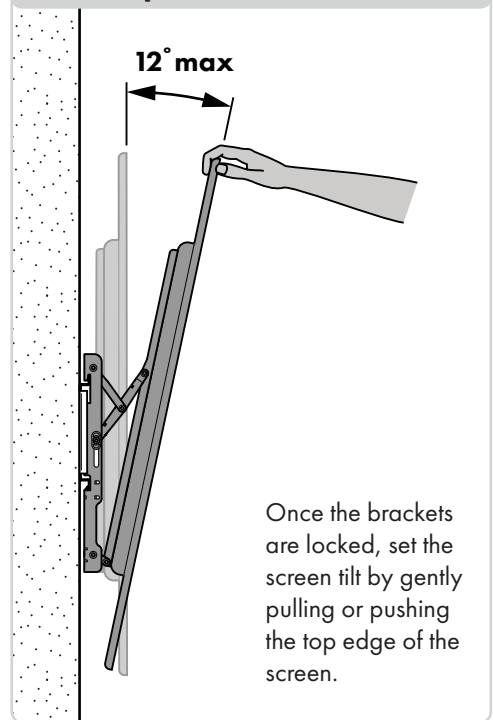
### Step 7. Cable Management



Unlock the Tilt Brackets from the wall plate. Pull the bottom of the screen out from the wall to provide access for connecting cables to the screen.

Once cables are connected, lock screen to Wall Plate as in **Step 5.2**.

### Step 8. Set Screen Tilt



Once the brackets are locked, set the screen tilt by gently pulling or pushing the top edge of the screen.

### Installation Complete



No portion of this document or any artwork contained herein should be reproduced in any way without the express written consent of Atdec Pty Ltd. Due to continuing product development, the manufacturer reserves the right to alter specifications without notice. Published 18.08.15 ©