

TH-TVCB-CM

Touchboards

205 Westwood Ave, Long Branch, NJ 07740
Phone: 866-94 BOARDS (26273) / (732)-222-1511
Fax: (732)-222-7088 | E-mail: sales@touchboards.com

Technical Specification

telehook

Camera Shelf Accessory for TH-TVCB Mobile Cart

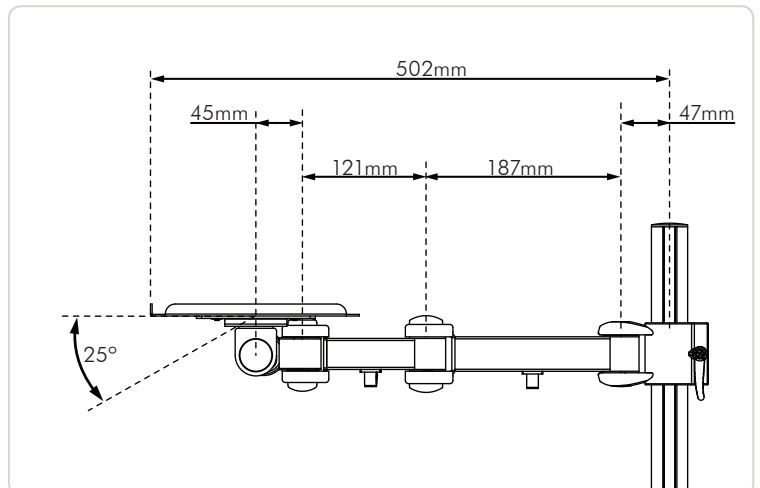
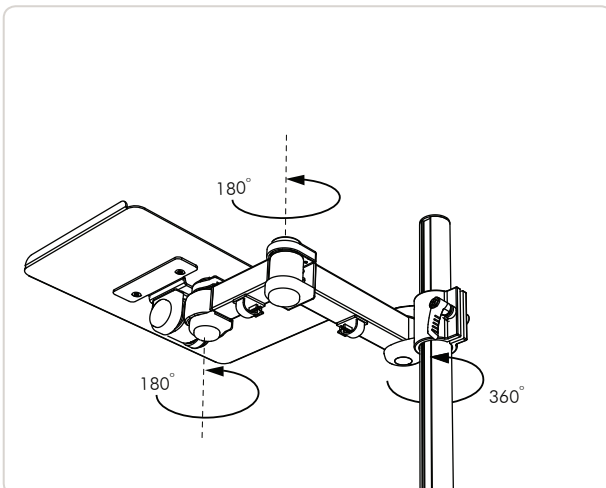
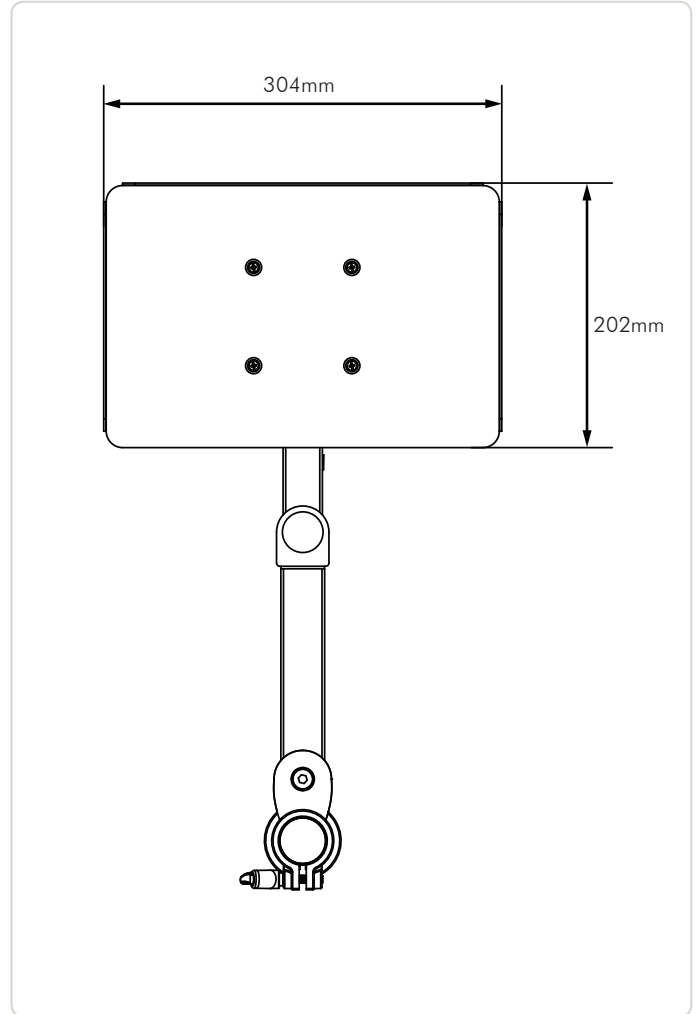
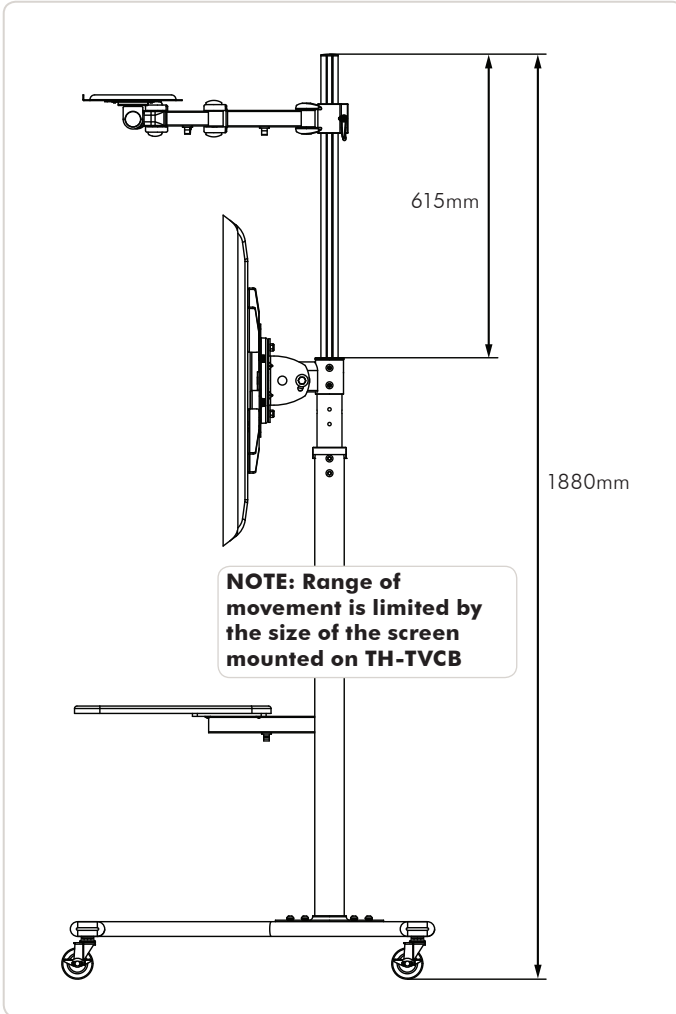
General Features

Maximum Load Weight:
5kg (11lbs)

Color:
Black

Warranty:
10 years

Dimensions



No portion of this document or any artwork contained herein should be reproduced in any way without the express written consent of Atdec Pty Ltd. Due to continuing product development, the manufacturer reserves the right to alter specifications without notice. Published 18.04.13 ©