

ProAV universal video wall mount

Wall plates: TH-VWP-100, TH-VWP-160, TH-VWP-050, TH-VWP-080

Mounting brackets: TH-VWV (landscape), TH-VWVP (portrait)

The Telehook ProAV portrait universal video wall mounting system is an industry leading scalable and upgradeable product range that supports a wide variety of portrait or landscape video wall configurations. Its universal display mounting pattern allows for previously unachievable compatibility with modern video panels. The ProAV range is designed with the needs of public environments and installers in mind; integrating high security features throughout to ensure display security whilst also maintaining ease of installation via the use of clever time saving and safe installation features.



Mounting hole pattern:

Landscape: From 200mm to 400mm high

Portrait: From 200mm to 800mm high
Unlimited width



Maximum weight carrying capacity:

165kg (363lbs) per display



Save Installation Time

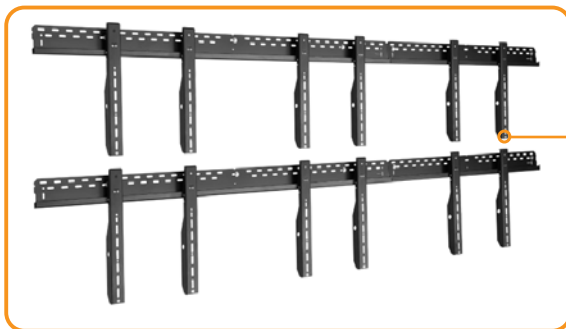
- Interconnecting wall plates for easy alignment.
- Simple hook-on video panel installation system.
- Multiple points for pre and post installation adjustments.
- Security fixing points for each video panel.
- 74.5mm (2.37") of space available at the rear to accommodate media players.

Save Cost

- Designed to minimise cost and maximise universal compatibility with different video panel sizes and brands.
- No limit as to how many video panels can be mounted. This scalable system can go infinitely both vertically and horizontally.
- Simple and flexible, it relies on a combination of four different length wall plates and a set of brackets per video panel (Portrait or Landscape).

Reduce Service Downtime

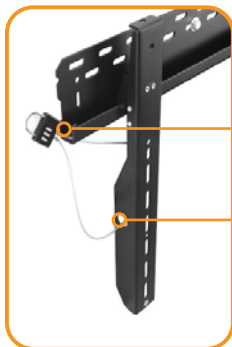
- Modular design allows each individual panel to be quickly removed for maintenance or replacement.
- Interlocking wall plates and post installation adjustment allows quick and easy installation to help limit the down time involved with the initial installation.
- Built in support stand provides access to rear of video panels and media players for easy cabling.



Ultra slim design sits just 44.5mm (1.75") from the wall



Convenient built in support stand for video panel maintenance, replacement and cabling



Security fixing points for each video panel



+/- 5° of post installation screen levelling adjustment



Interconnecting wall plates provide alignment assistance to installers



Product information

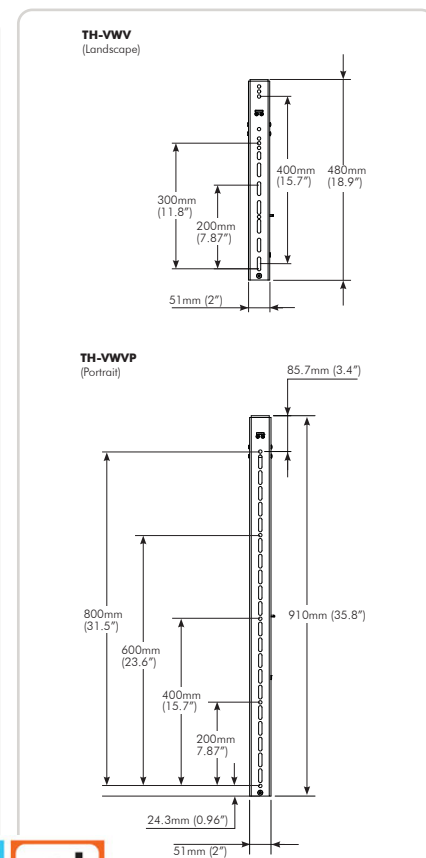
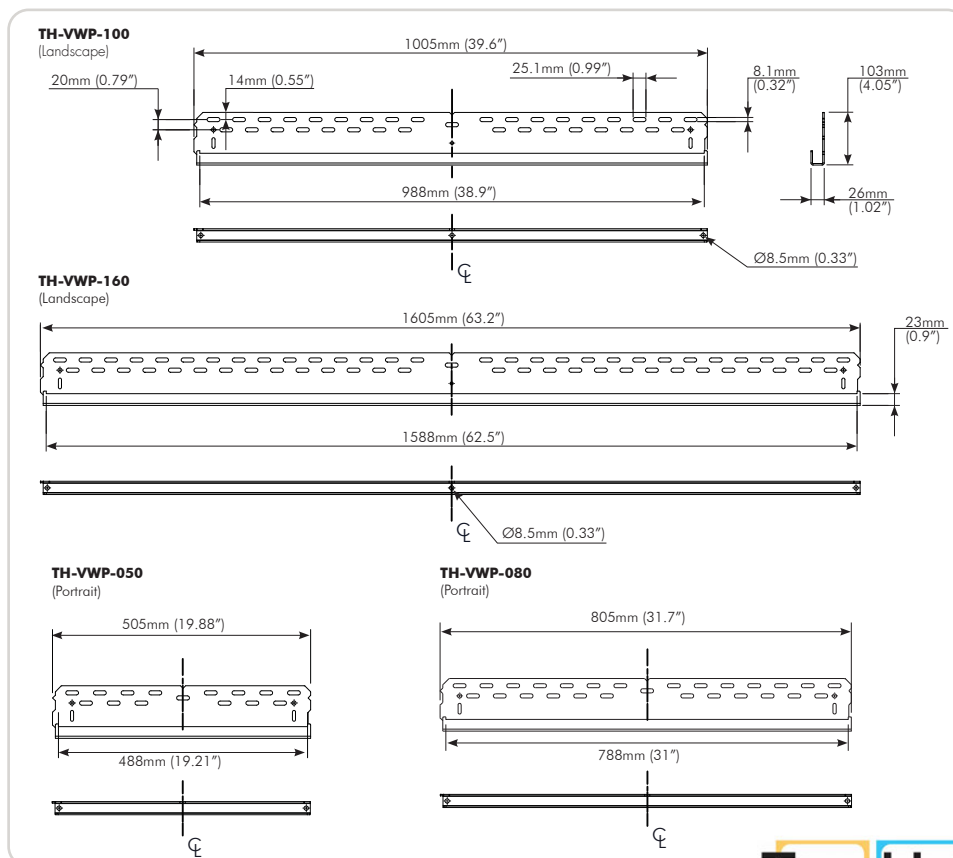
Product Code	Load capacity	Material	Colour
TH-VWV TH-VWVP TH-VWP-050 TH-VWP-080 TH-VWP-100 TH-VWP-160	165kg (363lbs) per display	Steel & Aluminium	Black

Package information, single unit

Product	Size	Ship weight	UPC code
TH-VWV	54.5cm x 13.3cm x 6.1cm (19.3" x 5.1" x 2.8")	3kg (7lbs)	881493008335
TH-VWVP	100.6cm x 15.2cm x 0.7cm (39.6" x 6" x 0.3")	6.3kg (13.9lbs)	881493009462
TH-VWP-050	59.3cm x 13.6cm x 5.2cm (23.3" x 5.4" x 2")	1.8kg (4.0lbs)	881493009486
TH-VWP-080	89.3cm x 13.6cm x 5.2cm (35.2" x 5.4" x 2")	3kg (6.6lbs)	881493009509
TH-VWP-100	107.8cm x 11.8cm x 5.5cm (42.9" x 5.9" x 3")	3.5kg (8.1lbs)	881493008045
TH-VWP-160	167.3cm x 11.8cm x 5.5cm (66.5" x 5.9" x 3")	6kg (12.8lbs)	881493008120

Package information, single unit

Product	Size	Ship weight	UPC code
TH-VWV	56cm x 29.4cm x 12.5cm (20.5" x 10.6" x 6.3")	12.5kg (29.5lbs)	881493008397
TH-VWVP	102.1cm x 16.6cm x 30.9cm (40.2" x 6.5" x 12.2")	25.5kg (56.1lbs)	881493009479
TH-VWP-050	60.9cm x 15.2cm x 22.4cm (24" x 6" x 8.8")	7.5kg (16.5lbs)	881493009493
TH-VWP-080	90.9cm x 15.2cm x 12.7cm (35.8" x 6" x 5")	6.4kg (14.1lbs)	881493009516
TH-VWP-100	111cm x 17cm x 17cm (43.7" x 6.7" x 6.7")	7.5kg (17.4lbs)	881493008069
TH-VWP-160	168.7cm x 11.8cm x 5.5cm (67.3" x 6.7" x 6.7")	12.5kg (27.7lbs)	881493008311



205 Westwood Ave, Long Branch, NJ 07740
 Phone: 866-94 BOARDS (26273) | (732)-222-1511
 Fax: (732)-222-7088 | E-mail: sales@touchboards.com

Atdec mounts are designed, developed and tested in Australia. We manufacture an extensive range of display and projector mountings for a variety of user types and situations. While all efforts have been made to ensure the information in this brochure was correct as of the date of printing, we reserve the right to change specifications without notice. Please refer to the website for our full range along with the latest details on specifications, compatibility and dealer location. Atdec and Telehook are registered trademarks with all rights reserved. Copyright February 2015.



Atdec Global www.atdec.com.au
 Atdec North America www.atdec.com