

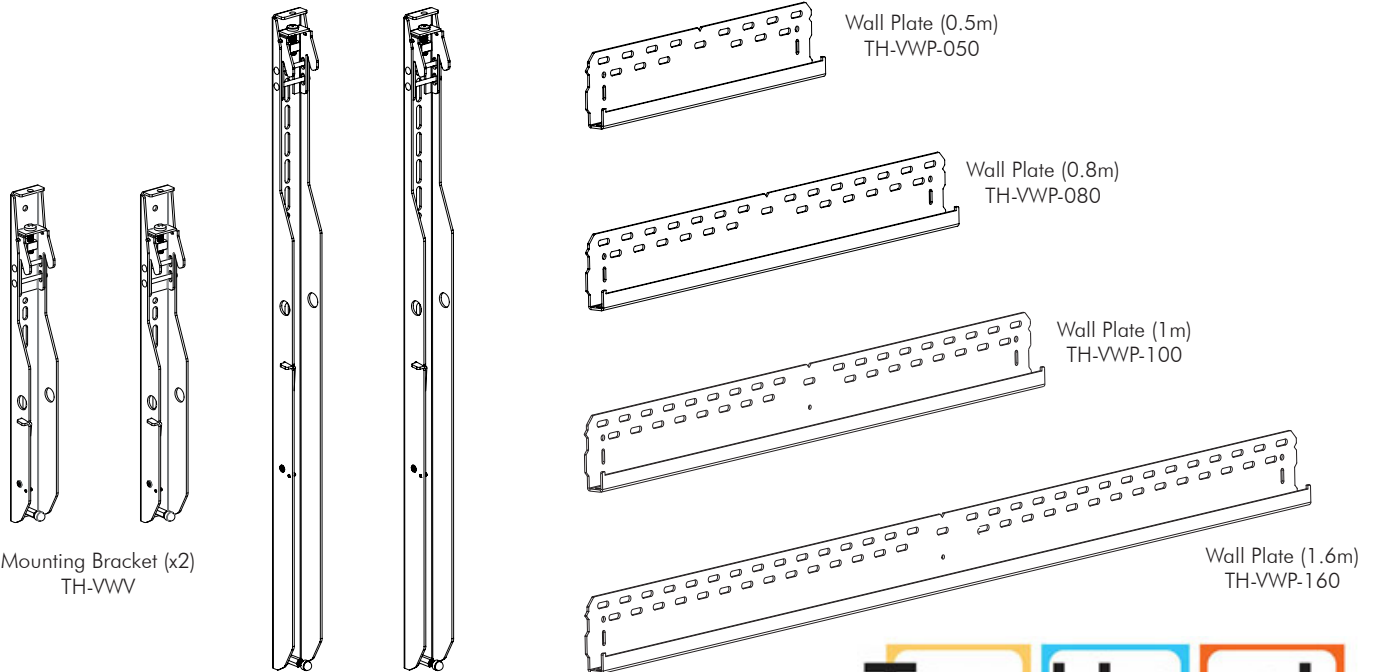
TH-VWV
 TH-VWVP
 TH-VWP-050
 TH-VWP-080
 TH-VWP-100
 TH-VWP-160

Installation Instructions



Universal Video Wall

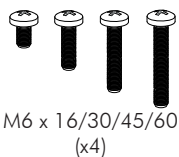
Component Checklist



Touchboards
 205 Westwood Ave, Long Branch, NJ 07740
 Phone: 866-94 BOARDS (26273) / (732)-222-1511
 Fax: (732)-222-7088 | E-mail: sales@touchboards.com

HARDWARE

Mounting Brackets (TH-VWV, TH-VWVP)



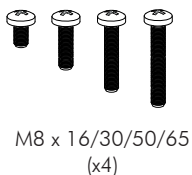
Wall Plate 0.5m, 0.8m, 1m (TH-VWP-050, TH-VWP-080, TH-VWP-100)



Tools Required:

- Power Drill
- 8mm (0.31") Drill Bit
- 10mm (0.39") Masonry Drill Bit
- 13mm (0.51") Socket Wrench Shifter
- Phillips Head Screwdriver
- Spirit Level
- Tape Measure

Wall Plate 1.6m (TH-VWP-160)



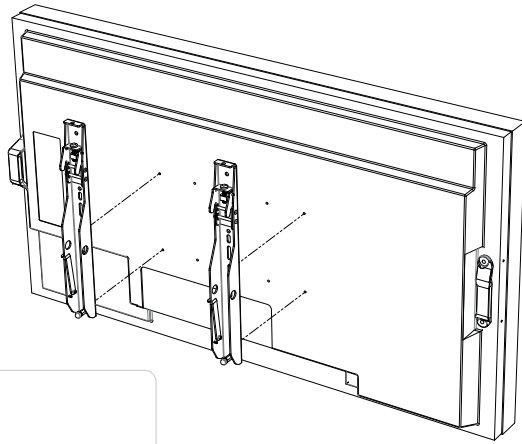
IMPORTANT INFORMATION:

- ! **IMPORTANT - Install Telehook Video Wall as per installation instruction.**
- ! This product supports a maximum load of 165kg (363lbs.) per panel or screen.
- ! The manufacturer accepts no responsibility for incorrect installation.

Step 1. Check Components

Check you have received all parts against the component checklist and hardware on the previous page.

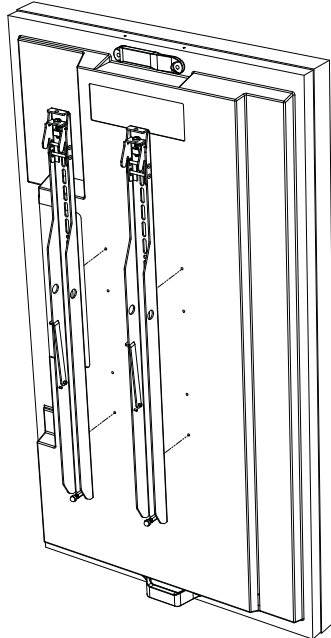
Step 2. Mounting Brackets



IMPORTANT

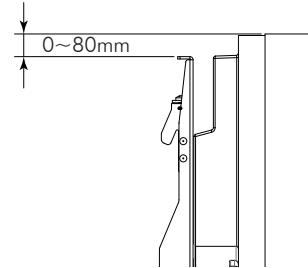
For the Brackets to function correctly they must be mounted as close to the top of the screen as possible.

When mounting multiple screens the brackets must be mounted in exactly the same position each time to ensure alignment.



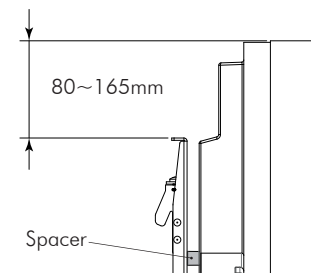
Option A

If the distance between the top of the display & mounting bracket is 80mm and under, mount directly onto the screen.



Option B

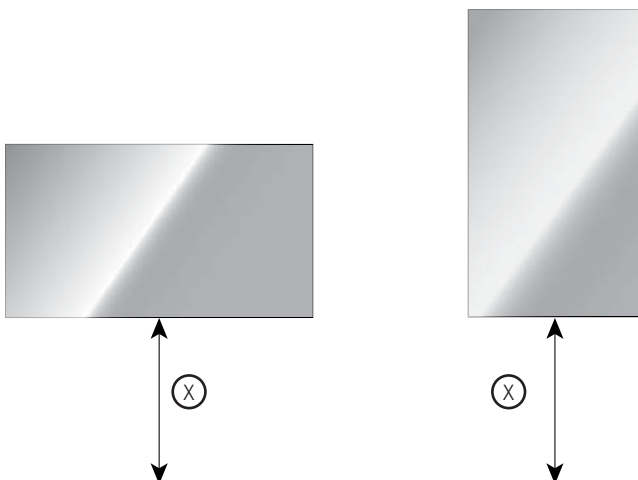
If the distance between the top of the display & mounting bracket is between 80 and 165mm, mount using spacers included.



NOTE: The top of the bracket **must not** be higher than the top of the screen.

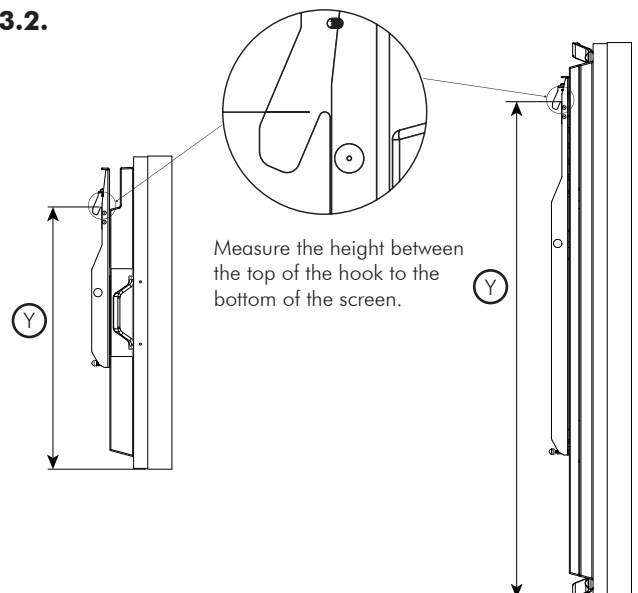
Step 3. Mounting first Wall Plate

3.1.



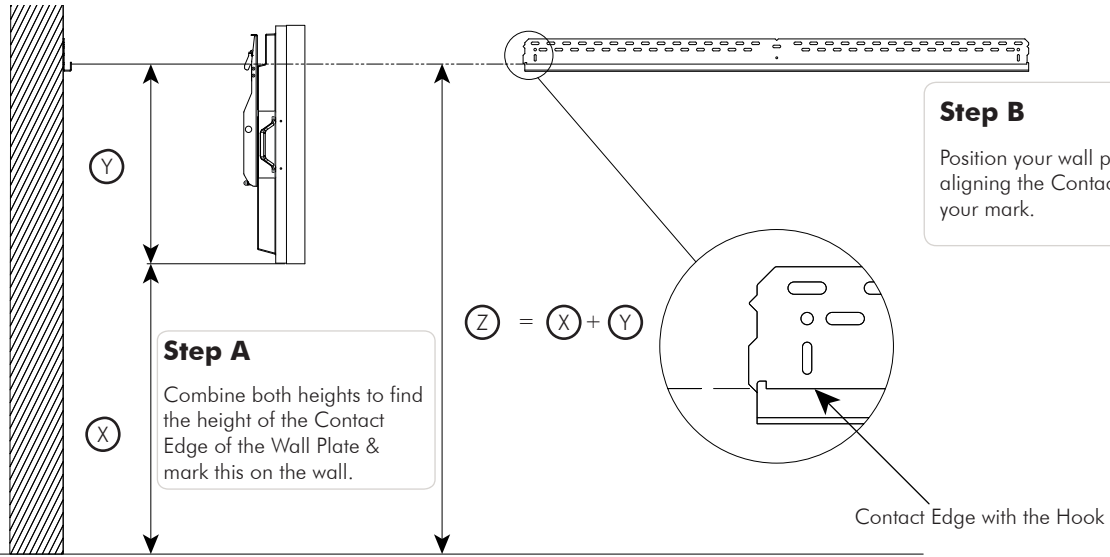
Determine the desired height of your screen from the floor.

3.2.



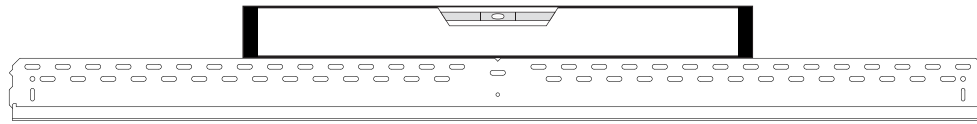
Measure the height between the top of the hook to the bottom of the screen.

3.3.



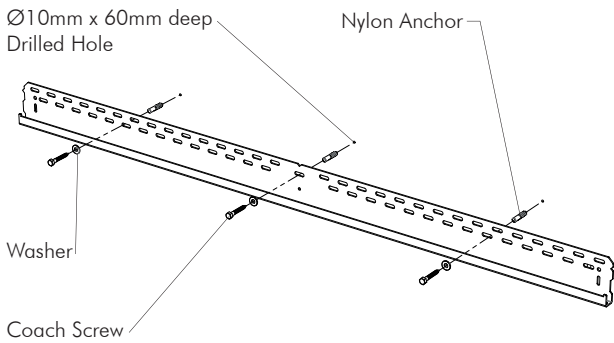
3.4.

Please use a **Spirit Level** during installation to ensure that the Wall Plate is **LEVEL**

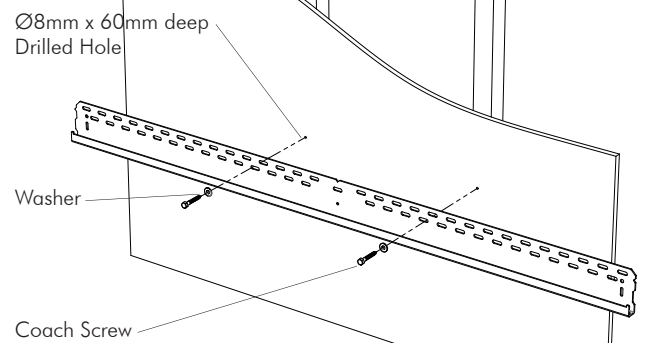


2 coach screws are provided for the TH-WVP-050, TH-WVP-080, TH-WVP-100 and 3 coach screws are provided for the TH-WVP-160. Ensure all screws are used with exception of where timber studs are spaced too far apart.

Masonry



Timber Stud



TIP: Use Mount as a drilling template.

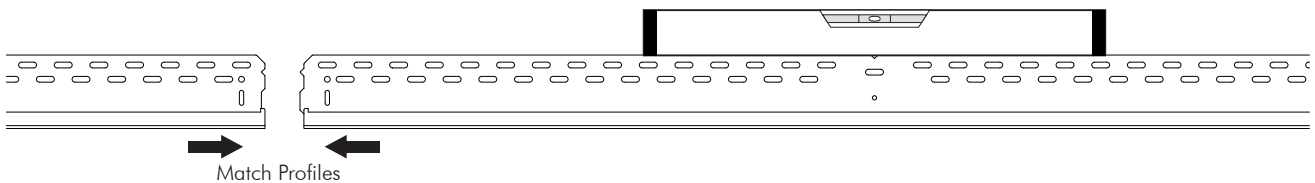
IMPORTANT! Any structural elements must be capable of supporting the combined weight of all the equipment and devices being mounted. If in doubt, consult a structural engineer.

Step 4. Mount remaining Wall Plates

4.1.

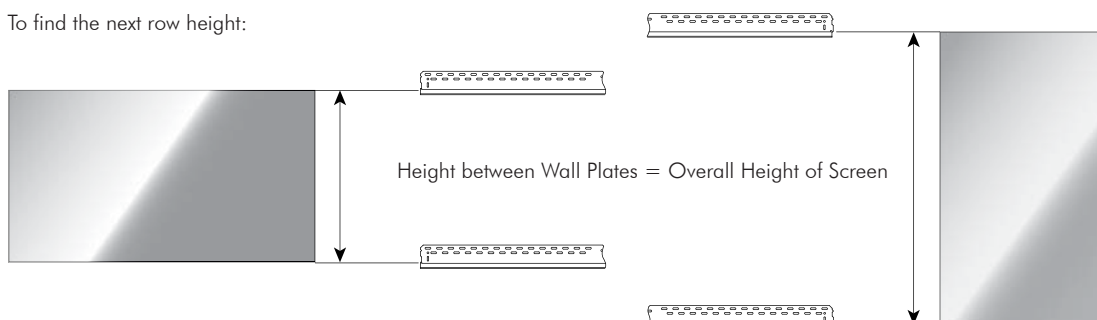
Repeat Step 3.4 with the following to install the remaining Wall Plates

Please use a **Spirit Level** during installation to ensure that the Wall Plates are **LEVEL**



4.2.

To find the next row height:

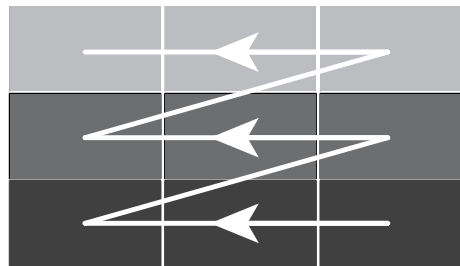


Step 5. Mounting screens

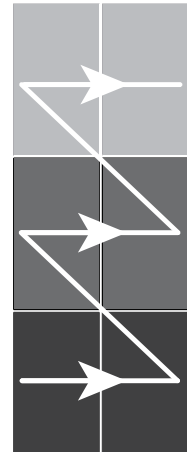
5.1.

Install the screens row by row, starting at the bottom. Ensure each row of screens are level before moving on to the next row.

Installation may start from left or right.



Screen shown in Landscape orientation

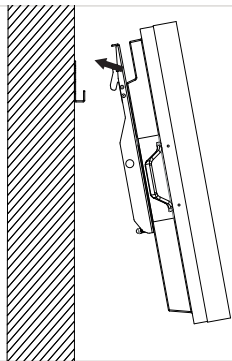


Screen shown in Portrait orientation

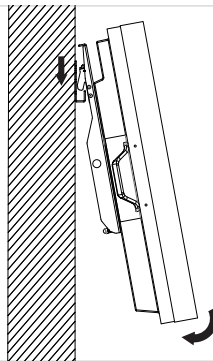
Please use a **Spirit Level** during installation to ensure that the Screens are **LEVEL**



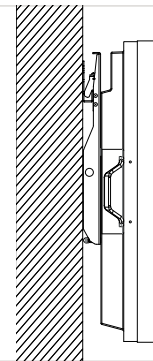
5.2.



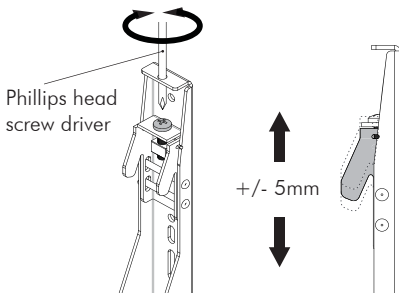
Angle the screen as shown and position so the hook is above the bracket



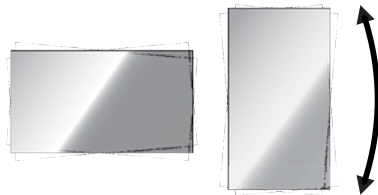
Drop the hook onto the bracket to engage and gently lower the screen



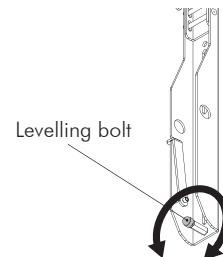
5.3. - Screen Levelling



Level the screen by adjusting the screw at the top of each mounting bracket. Use a spirit level to ensure screen is level.



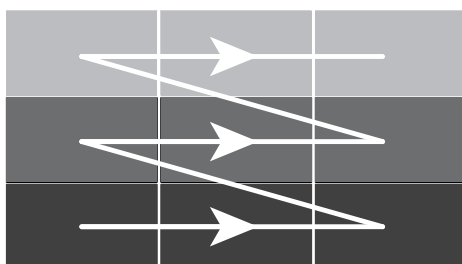
5.3. - Wall Levelling



To adjust for uneven walls, screw the levelling bolt in or out to match each display position.

Step 6. Cabling

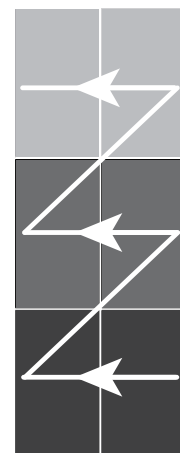
6.1. - Cabling sequence



Screen shown in Landscape orientation

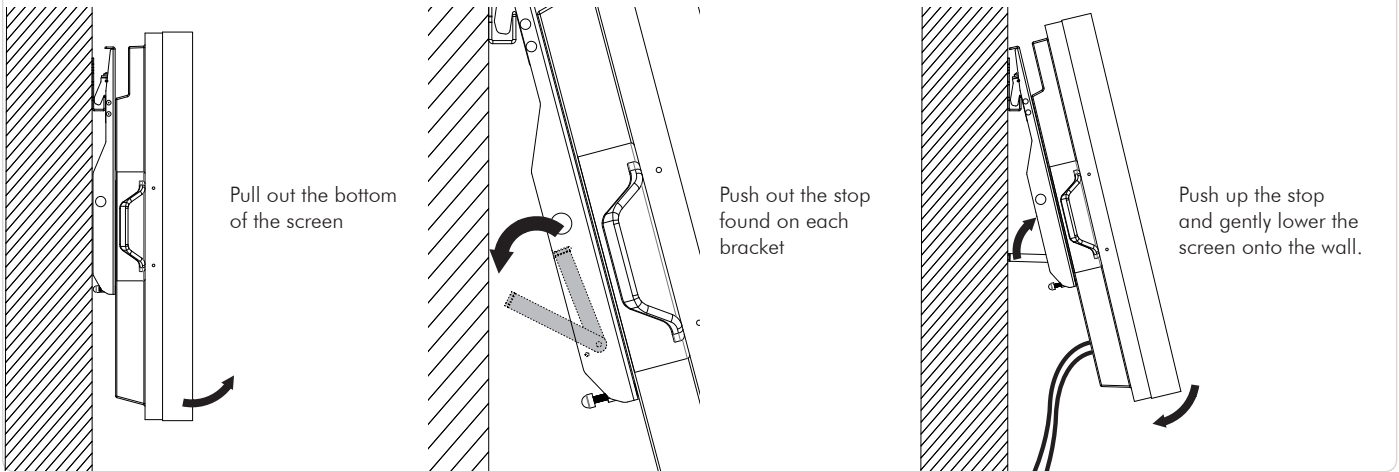
Tilt up each row, starting at the top, leaving each screen out until all cabling is finished.

You may start from the left or right.

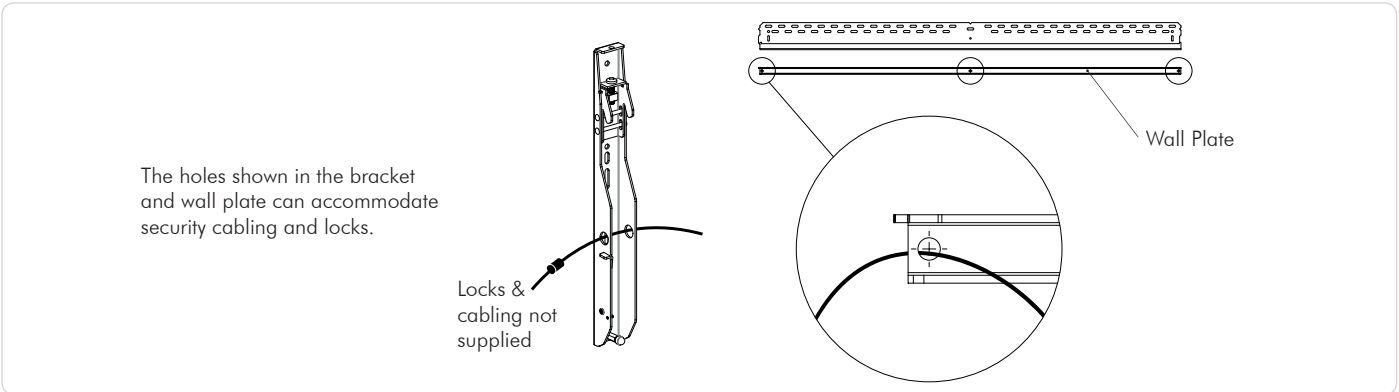


Screen shown in Portrait orientation

6.2. To gain access for cabling:

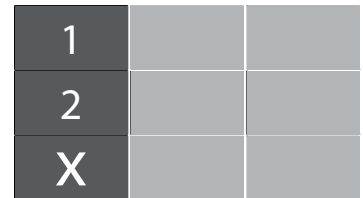
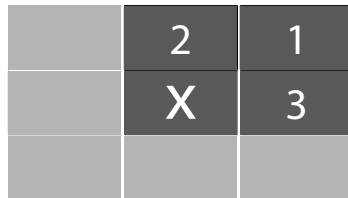
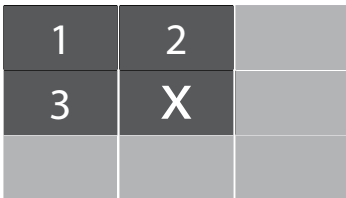


Step 7. Security (optional)



Step 8. Screen Removal

To remove screen X for repair or replacement, tilt up the numbered screens in sequence, then pull out and lift off screen X.



Installation complete!

