

TH-VWV
 TH-VWVP
 TH-VWP-050
 TH-VWP-080
 TH-VWP-100
 TH-VWP-160

Touchboards
 205 Westwood Ave, Long Branch, NJ 07740
 Phone: 866-94 BOARDS (26273) / (732)-222-1511
 Fax: (732)-222-7088 | E-mail: sales@touchboards.com

Technical Specification



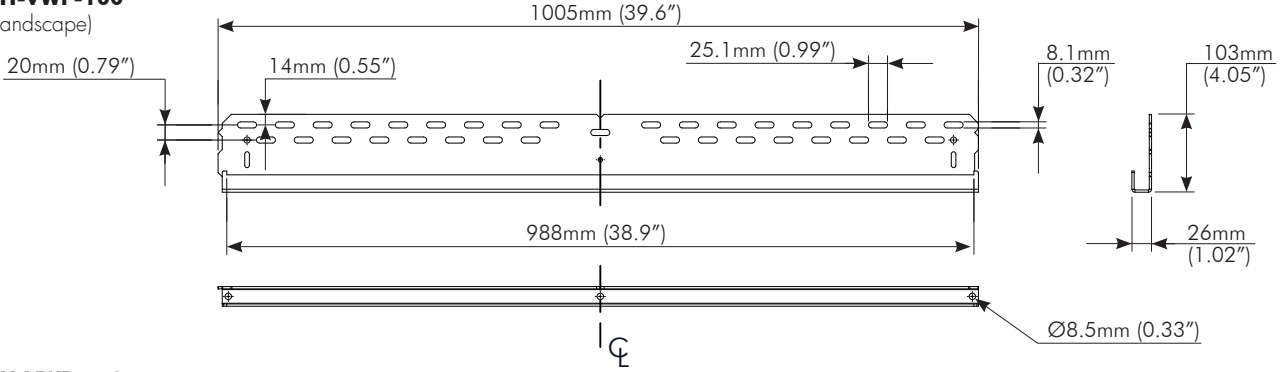
Universal Video Wall

General Features

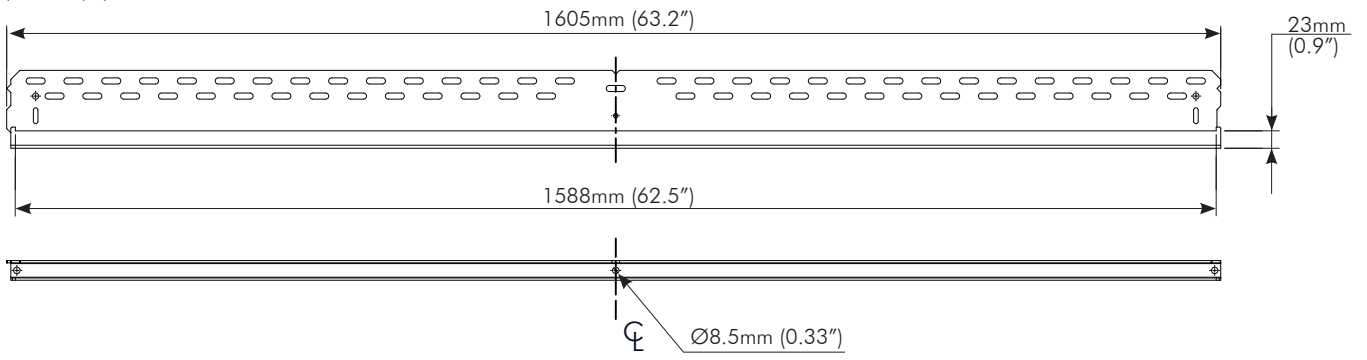
| | | | |
|--|---|--------------------------------|--|
| Maximum Weight: 165kg (363lbs) per display | Screen Orientation: Landscape or Portrait | Color: Black | VESA support: Horizontal- Unlimited Vertical- TH-VWV 200-400mm TH-VWVP 200-800mm |
| Height Adjustment: ±5mm | Warranty: 10 years | Min Screen Size: 32" | |

Dimensions

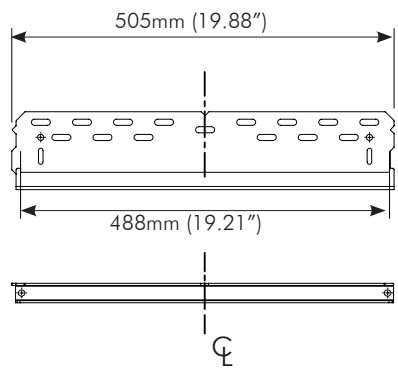
TH-VWP-100
(Landscape)



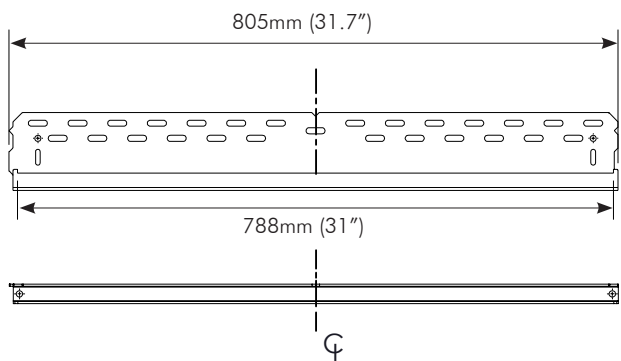
TH-VWP-160
(Landscape)



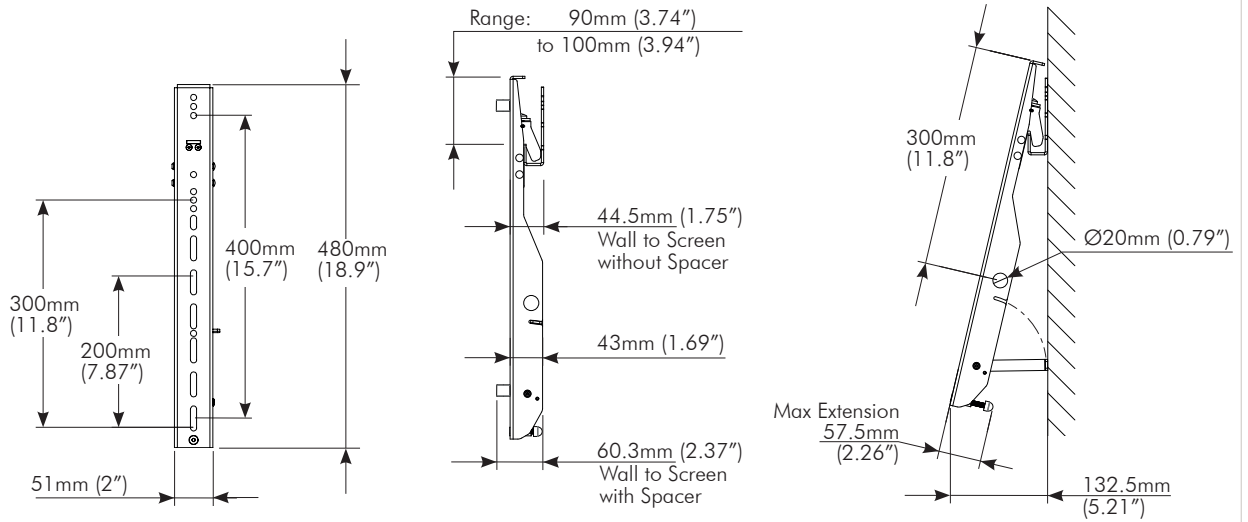
TH-VWP-050
(Portrait)



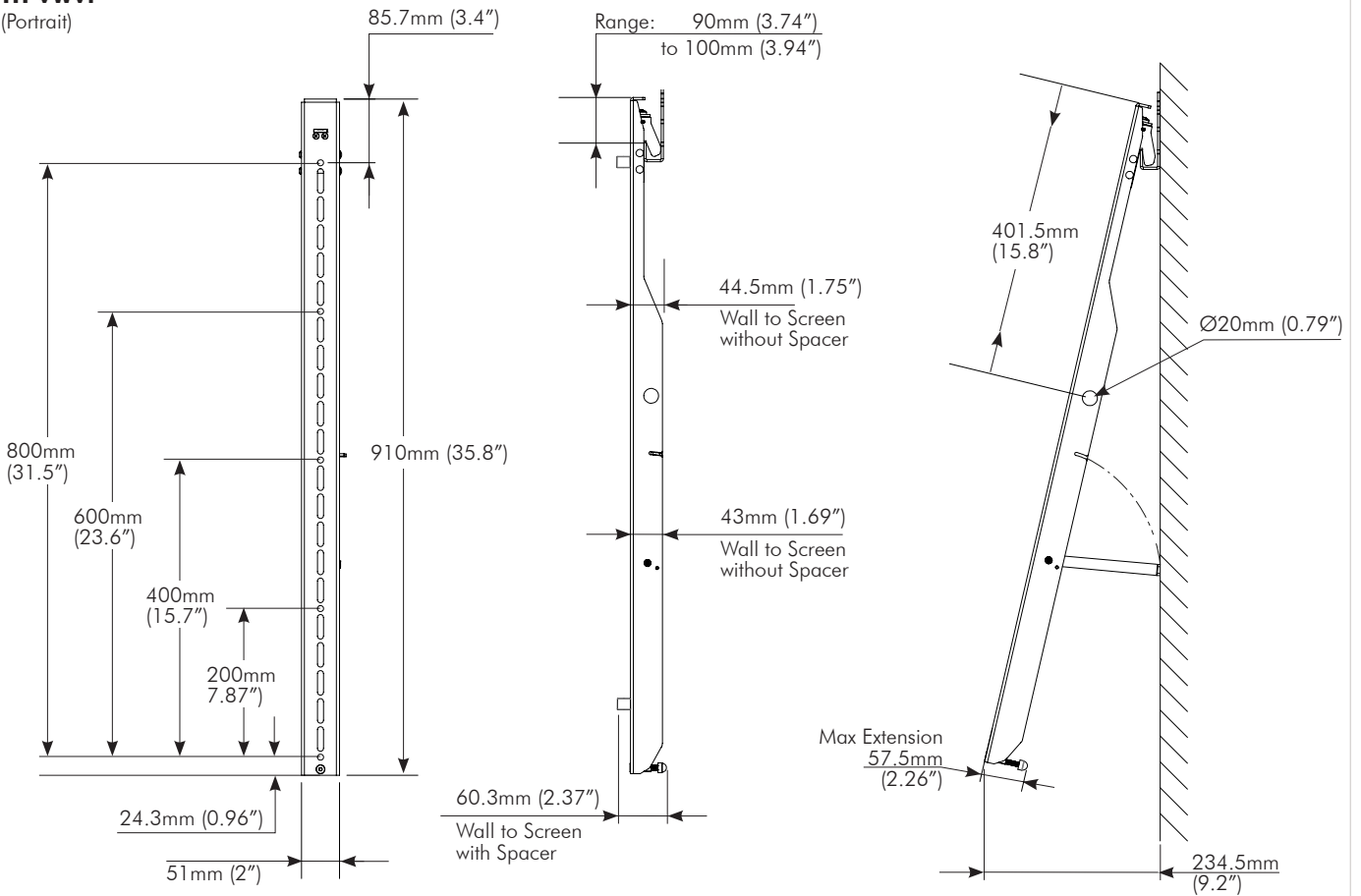
TH-VWP-080
(Portrait)



TH-VWV
(Landscape)



TH-VWVP
(Portrait)



No portion of this document or any artwork contained herein should be reproduced in any way without the express written consent of Atdec Pty Ltd. Due to continuing product development, the manufacturer reserves the right to alter specifications without notice. Published 04.09.15 ©