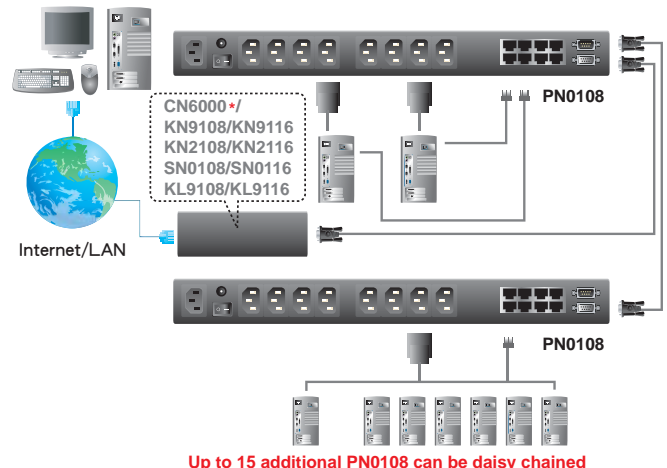


# PN0108

## 8-Port Power Over the NET™

- Altusen's PN0108 is equipped with eight hotpluggable ports for easy server room management. Each port can be individually controlled so that users can set the power on sequence and delay time for each port to allow equipment to be turned on in the proper order. On/Off scheduling allows for preset start/shutdowns/restarts on a daily, weekly, monthly basis. The PN0108 is the most convenient, reliable and cost effective way to obtain access to your server room remotely.



\* The CN6000 from ATEN is an ultra-compact, Over IP solution for remote access to computers and KVM installations. Please refer to [www.aten.com](http://www.aten.com) for more details.



### Features

- Remote power on / off / reboot control for eight outlets via TCP/IP and a built in RS-232 PON (Power Over the NET™) port
- Local power on / off / reboot control via the PN0108's PON port to the computer's RS-232 port
- Daisy chain up to 15 additional stations to control up to 128 outlets
- Manual switching between Local and Remote access for each port via front panel push button switches
- Individual control of each port - users can set the power on sequence and delay time for each port to allow equipment to be turned on in the proper order
- Easy setup and operation via a GUI interface
- Provides three configuration/management methods: Browser; Telnet; or Console Terminal
- Safe shutdown and rebooting for Windows systems\*
- Overcurrent protection and recovery for each AC port (110 V model only); total port overcurrent protection (both models) - remote users can monitor the outlet status via the GUI interface
- Separate circuits for the unit's power and the power to the devices – the power control status menu is still accessible even when an overcurrent condition trips the devices' circuit breaker
- On/Off scheduling - allows everything from a one-time start/shutdown, to daily, weekly, etc. starts/shutdowns at user-specified times
- Port grouping - perform the same action on a specified group of ports
- LEDs for easy status monitoring
- Two level (Administrator and User) security
- Configuration can be reset
- Firmware upgradeable - daisy chained stations receive the upgrade via the daisy chain bus

\* Safe shutdown and rebooting is supported if the Power Monitor utility has been installed

### Specification

Function		PN0108
Power Inlet		1 x IEC 60320/C14 Male
Power Outlets		8 x IEC 60320/C13 Female
Connectors	PON In	1 x DB-9 Female (Black)
	PON Out	1 x DB-9 Male (Black)
	Safe Shutdown	8 x 6-pin Safe Shutdown Jacks Female (Black)
Switches	Reset	1 x Semi-recessed Pushbutton
	Power	1 x Rocker
	F/W Upgrade	1 x Slide
	Outlet On/Off	8 x Pushbutton
LEDs	Outlet Power	8 (Orange)
	Remote Access	8 (Green)
	Station ID	2 x 7-segment (Orange)
I/P Rating (Total input)		100 - 120V; 50/60Hz, 12A 220 - 240V; 50/60Hz, 10A
O/P Rating	Per Port	100 - 120V; 50/60Hz, 9A (Max.) 220 - 240V; 50/60Hz, 9A (Max.)
	Total	100 - 120V; 50/60Hz, 11A (Max.) 220 - 240V; 50/60Hz, 9A (Max.)
Power Consumption	No Load	120V/15W; 230V/15W
	Max Load	120V/1440W; 230V/2300W
Environment	Operating Temp.	0- 40 °C
	Storage Temp.	-20- 60 °C
	Humidity	0-80% RH, Non-condensing
Physical Properties	Housing	Metal
	Weight	3.70 kg
	Dimensions (L x W x H)	43.72 x 21.83 x 4.40 cm

\* The specifications and pictures are subject to change without notice.

