

Video Extender Rack Mount Kit

VE-RMK1U / VE-RMK2U / VE-RMK3U

- ATEN's Video Extender Rack Mount Kit offers a range of flexible mounting solutions for installing ATEN video extenders and KVM extenders in a rack. You can choose from three VE-RMK rack mount kits (1U to 3U) to match the extender type you are installing which allows for a well-organized and easy-to-maintain setup.

VE-RMK1U



VE-RMK2U



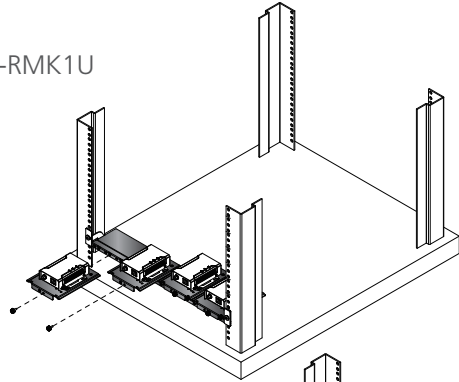
VE-RMK3U



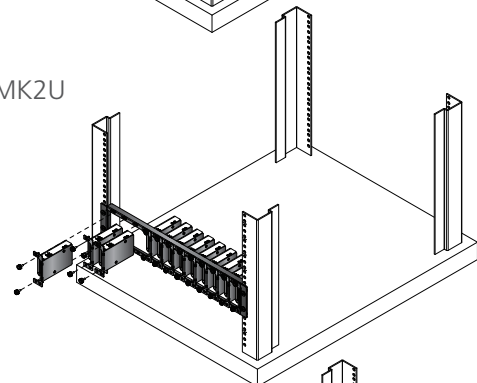
Features

- Standard 1U, 2U and 3U designs fit into rack space neatly
- Fixed stand allows extenders to be safely installed on the rack
- Allows easy cabling and maintenance
- Provides flexible rack mounting for 1 to 12 extenders

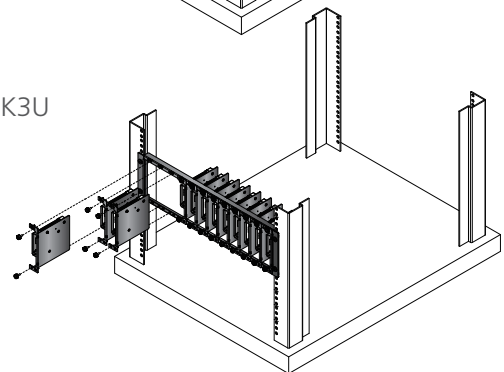
VE-RMK1U



VE-RMK2U



VE-RMK3U



Compatible Products

1U	CE100, VE560, VE600A, VE601, VE602, VE800A, VE801, VE803, VE810, VE811, VE901, VE150A, VE170, VE172R, VE802, CE250A, CE700A, CS72D, KE6900ST, VE1812, VE2812T, VC1280, VE2812R, VE802, VE812, VE814A, VE882, VE8900, VE8950, VE892, VS182A, VS182B, VS192, VS194, UC2322, UC2324, UC4852, UC4854, CE350, CE370, CE600, CE602, CE604, CE610A, CE620, CE624, CE750, CE750A, CE770, CE800B, CE820, CE920, CN8000, CN8000A, CS724KM, CS74E, VC880, VE1832, VE816R, VE883, VS184B, VS481A, VS481B, VS481C
2U	CE100, VE560, VE600A, VE602, VE800A, VE803, VE810
3U	VE800A, VE803, VE810, VE600A, VE602, VE560, CE100, VE601, VE801, VE901

Product information is subject to change without prior notice.

ATEN International Co., Ltd.

3F., No.125, Sec. 2, Datong Rd., Sijhih District., New Taipei City 221, Taiwan
 Phone: 886-2-8692-6789 Fax: 886-2-8692-6767
 www.aten.com E-mail: marketing@aten.com

Publish Date: 02/2019 V2.0



© Copyright 2019 ATEN® International Co., Ltd.
 ATEN and the ATEN logo are trademarks of ATEN International Co., Ltd.
 All rights reserved. All other trademarks are the property of their respective owners.