

ATEN Video Extender Rack Mount Kit

VE-RMK1U Quick Start Guide

Package Contents

- 1 x VE-RMK1U Frame
- 4 x 1U Mounting Plates
- 5 x Plastic Captive Screws
- 6 x Hexagon Head Screws
- 12 x Countersunk Head Screws

Note: Please make sure that all package contents are present and that nothing is damaged in shipping. If you encounter any problems, contact your local sales representative for more information.

Installation

Different ATEN devices use different sets of screw holes on the mounting plate to install. Use the table below to find out:

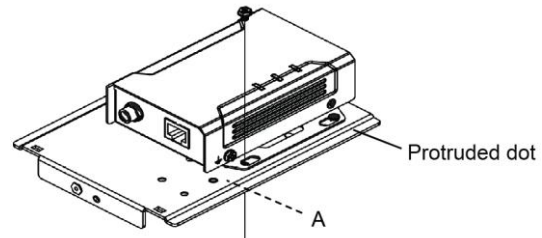
- Whether your ATEN device is built-in with rack ears
- The alignment line that your ATEN device uses

Models			Mounting Plate	
Category	Not Equipped with Rack Ears	Equipped with Rack Ears	Alignment Line	Max. No. of Units.
CE	CE100	-	Line A	4 units
VE	VE560, VE600A, VE602, VE800A, VE803, VE810	VE601, VE801, VE811, VE901		
		VE150A, VE170, VE172R, VB802	-	Line B

Note: For a full list of supported models, download the *VE-RMK1U Installation Guide* from the VE-RMK1U web page.

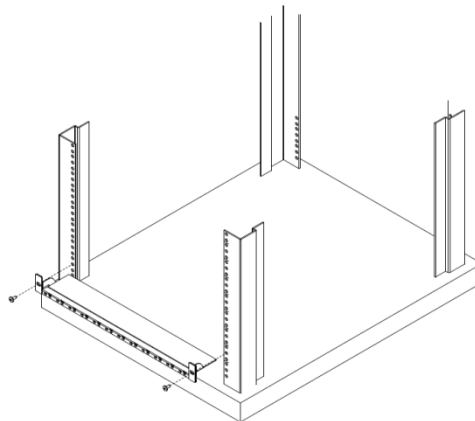
Installing Devices with Rack Ears

1. Align the device to its alignment line as illustrated, latch one of the rack ears onto the protruded dot on the mounting plate, and secure the device to the mounting plate using the supplied hexagon head screw.



Example: VE801

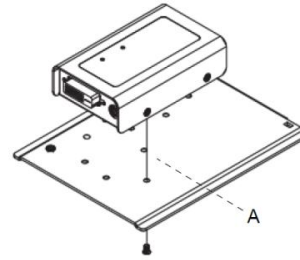
2. Position the VE-RMK1U frame on the front of your rack, align the holes in the frame with the holes in the rack, and then secure the frame to the rack with self-prepared screws.



3. Follow the steps in *Installing Devices to the Rack* to finish the installation.

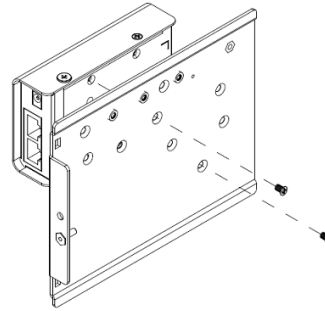
Installing Devices without Rack Ears

1. Align the device to line A.



Example: VE800A

2. Secure the device to the mounting plate from the backside using the supplied countersunk head screws.

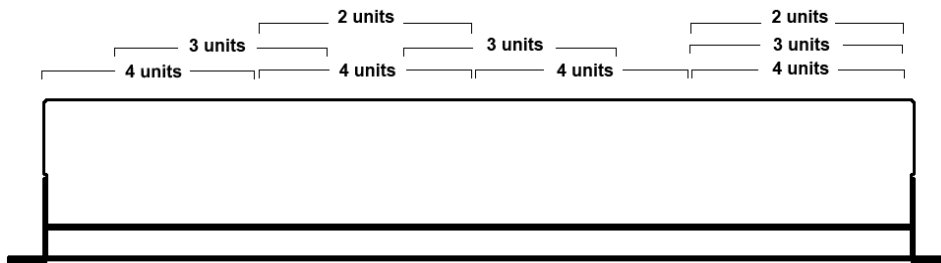


Example: VE800A

3. Follow the steps in *Installing Devices to the Rack* to finish the installation.

Installing Devices to the Rack

1. Align your device and mounting plate assembly to one of the slots on the VE-RMK1U Frame.



VE-RMK1U Frame

2. Secure the mounting plate to the frame with a plastic captive screw provided in the package. For a device that aligns to line A, you can install up to 4 units.

