



Video Extender Rack Mount Kit

VE-RMK1U Installation Guide

www.aten.com

User Information

Online Registration

Be sure to register your product at our online support center:

International	http://eservice.aten.com
---------------	---

Telephone Support

For telephone support, call this number:

International	886-2-8692-6959
China	86-400-810-0-810
Japan	81-3-5615-5811
Korea	82-2-467-6789
North America	1-888-999-ATEN ext 4988 1-949-428-1111

User Notice

All information, documentation, and specifications contained in this manual are subject to change without prior notification by the manufacturer. The manufacturer makes no representations or warranties, either expressed or implied, with respect to the contents hereof and specifically disclaims any warranties as to merchantability or fitness for any particular purpose. Any of the manufacturer's software described in this manual is sold or licensed *as is*. Should the programs prove defective following their purchase, the buyer (and not the manufacturer, its distributor, or its dealer), assumes the entire cost of all necessary servicing, repair and any incidental or consequential damages resulting from any defect in the software.

The manufacturer of this system is not responsible for any radio and/or TV interference caused by unauthorized modifications to this device. It is the responsibility of the user to correct such interference.

The manufacturer is not responsible for any damage incurred in the operation of this system if the correct operational voltage setting was not selected prior to operation. PLEASE VERIFY THAT THE VOLTAGE SETTING IS CORRECT BEFORE USE.

Package Contents

- ◆ 1 VE-RMK1U Frame
 - ◆ 4 1U Mounting Plates
 - ◆ 5 Plastic Captive Screws
 - ◆ 6 Hexagon Head Screws
 - ◆ 12 Countersunk Head Screws
-

Note:

- ◆ Check to make sure that all the package contents are present and that nothing is damaged in shipping. If you encounter any problems, contact your local sales representative for more information.
 - ◆ Read this manual thoroughly and follow the installation and operation procedures carefully to prevent any damage to the unit or any connected devices.
 - ◆ ATEN regularly updates its product documentation for new features and fixes. For an up-to-date VE-RMK1U documentation, visit <http://www.aten.com/global/en/>
-

Product Information

For information about all ATEN products and how they can help you connect without limits, visit ATEN on the Web or contact an ATEN Authorized Reseller. Visit ATEN on the Web for a list of locations and telephone numbers:

International	http://www.aten.com
North America	http://www.aten-usa.com

© Copyright 2020 ATEN® International Co., Ltd.
Manual Date: 2020-05-29

ATEN and the ATEN logo are registered trademarks of ATEN International Co., Ltd. All rights reserved. All other brand names and trademarks are the registered property of their respective owners.

Contents

User Information	ii
Package Contents	iii
Product Information	iii
Contents	iv
Installation	1
Technical Support	12
Limited Warranty	13

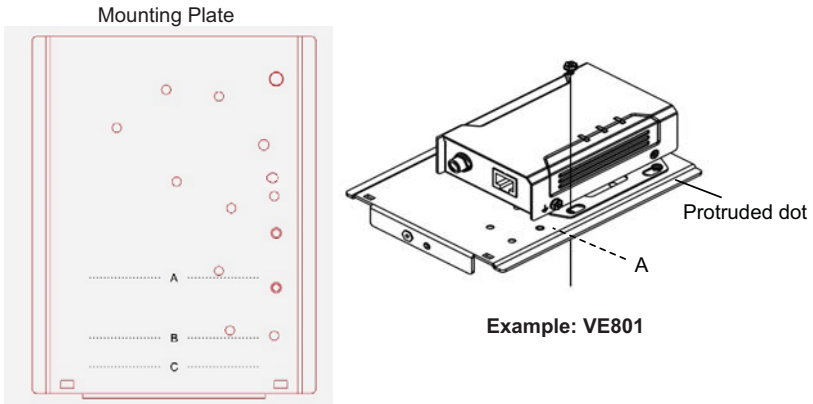
Installation

1. Different ATEN devices use different sets of screw holes on the mounting plate to install. Use the table below to find out:
 - ◆ Whether if your ATEN device is built-in with rack ears
 - ◆ The alignment line that your ATEN device uses

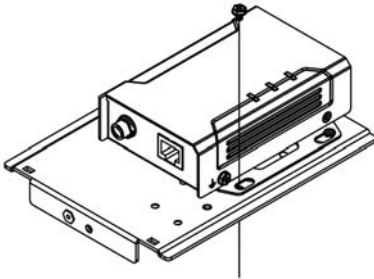
Models			Mounting Plate	
Category	Not Equipped with Rack Ears	Equipped with Rack Ears	Alignment Line	Max. No. of Units
CE	CE100	-	Line A	4 units
VE	VE560, VE600A, VE602, VE800A, VE803, VE810	VE601, VE801, VE811, VE901		
VE	VE150A, VE170, VE172R, VB802	-	Line B	3 units
CE	CE250A, CE611, CE700A	-	Line C	
CS	CS72D, CS72E	-		
KE	KE6900ST	-		
VE	VE812, VE814, VE882, VE892	VE1812, VE2812T, VE2812R, VE2812AT, VE802, VE814A, VE8900, VE8950		
VS	VS182A, VS182B, VS192, VS194	-		
UC	UC2322, UC2324, UC4852, UC4854	-		

Models			Mounting Plate	
Category	Not Equipped with Rack Ears	Equipped with Rack Ears	Alignment Line	Max. No. of Units
CE	CE350, CE370, CE600, CE602, CE604, CE610A, CE620, CE624, CE750, CE750A, CE770, CE800B, CE820, CE920	-	Line C	2 units
KA	KA8270, KA8280, KA8278, KA8288			
CN	CN8000, CN8000A	-		
CS	CS724KM, CS74D, CS74E	-		
KE	KE8900S, KE9900ST	-		
VC	VC880	-		
VE	VE300, VE500, VE813A, VE66DTH	VE816R, VE883		
VS	VS184B, VS481A, VS481B, VS481C	-		

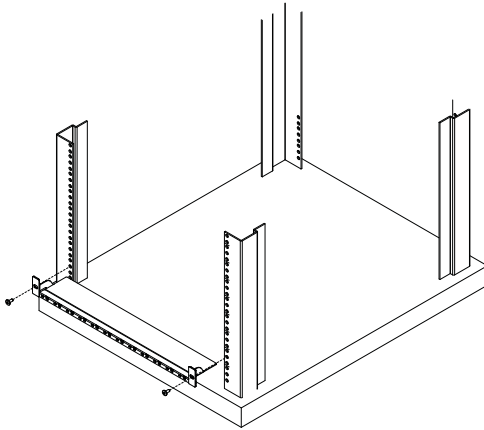
2. To install a device that is equipped with rack ears, go to the next step. To install a device that is not equipped with rack ears, go to step 4 (page 6).
3. Follow the steps below to rack mount a device that has rack ears.
 - a) Align the device to its alignment line in as illustrated, and latch one of the rack ears onto the protruded dot on the mounting plate.



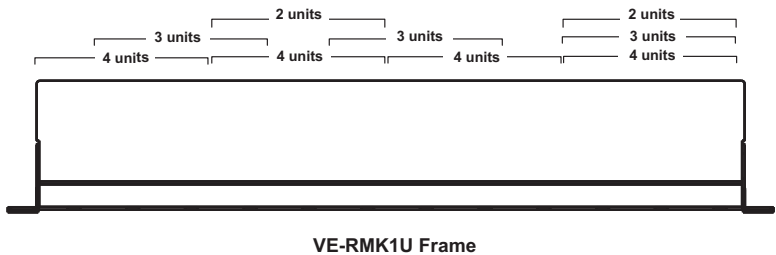
- b) Secure the device to the mounting plate using the supplied hexagon head screw.



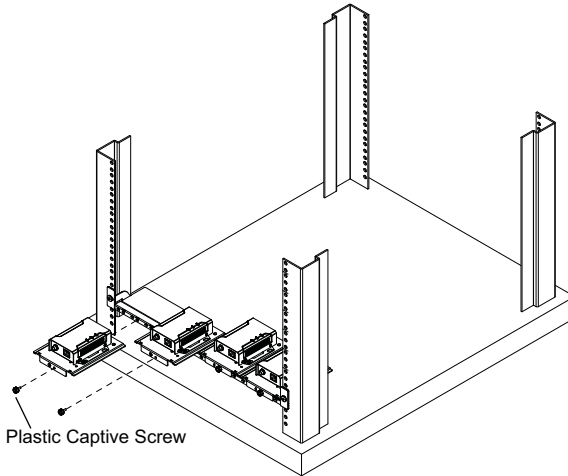
- c) Position the VE-RMK1U frame on the front of your rack, align the holes in the frame with the holes in the rack, and then secure the frame to the rack with self-prepared screws.



- d) Align your device and mounting plate assembly to one of the slots on the VE-RMK1U Frame.



- e) Secure the mounting plate to the frame with a plastic captive screw provided in the package.



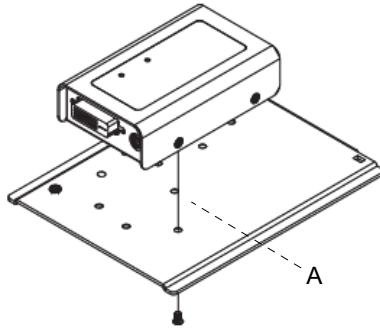
Note:

- ◆ The maximum number of units that a VE-RMK1U Frame supports may vary across models. Refer to the table in step 1 for details.
 - ◆ If you have any VE8900/8950 devices installed on the mounting plate, make sure to leave at least 2 mm of space above the devices to avoid scratching the buttons on the top panel, or leave 1U of space if you wish to access these buttons.
-

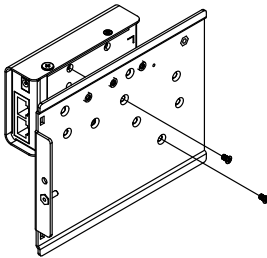
- Follow the steps below to rack mount a device that does *not* have rack ears.

Example 1: For devices that align to line A or B

- Align the device to line A or B in the illustrated orientation.

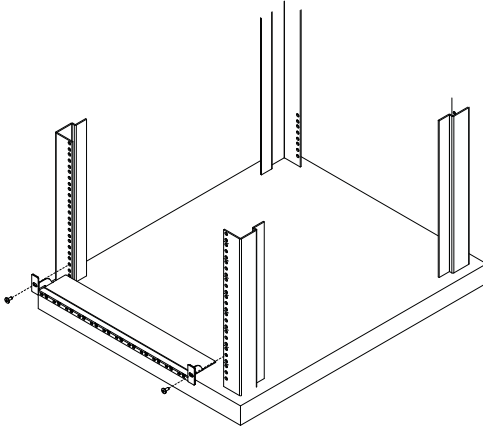


- Secure the device to the mounting plate from the backside using the supplied countersunk head screws.

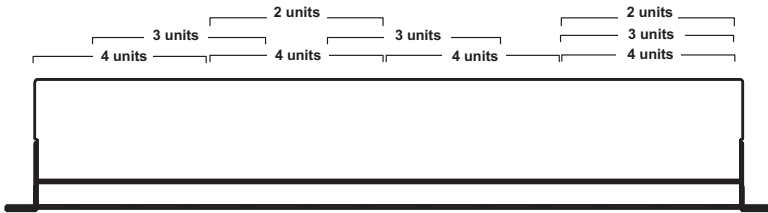


Example: VE800A

- c) Position the VE-RMK1U frame on the front of your rack, align the holes in the frame with the holes in the rack, and then secure the frame to the rack with self-prepared screws.



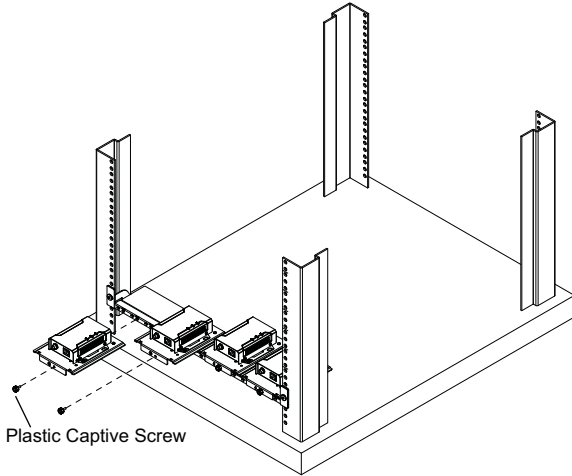
- d) Align your device and mounting plate assembly to one of the slots on the VE-RMK1U Frame.



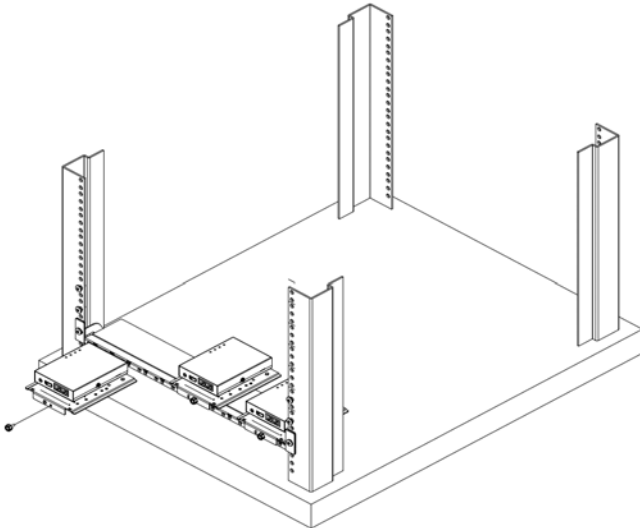
VE-RMK1U Frame

- e) Secure the mounting plate to the frame with a plastic captive screw provided in the package.

For a device that aligns to line A, you can install up to 4 units:

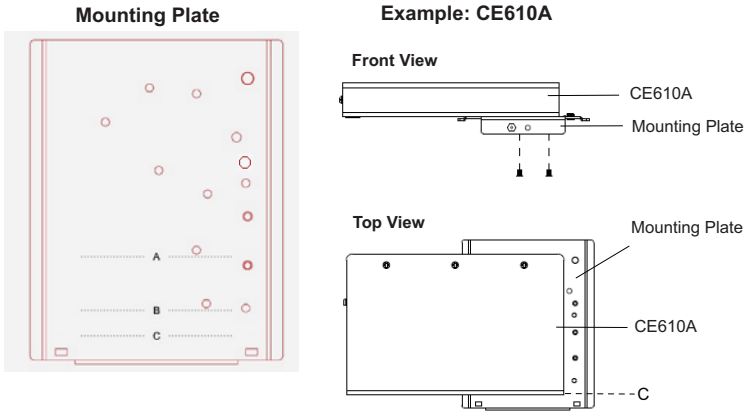


For a device that aligns to line B, you can install up to 3 units:

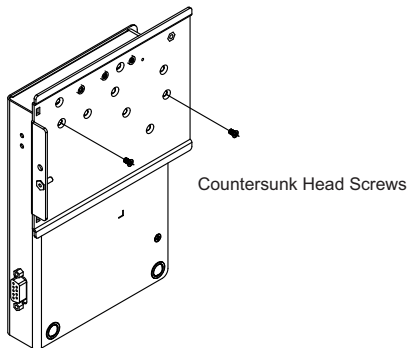


Example 2: A device that uses line C

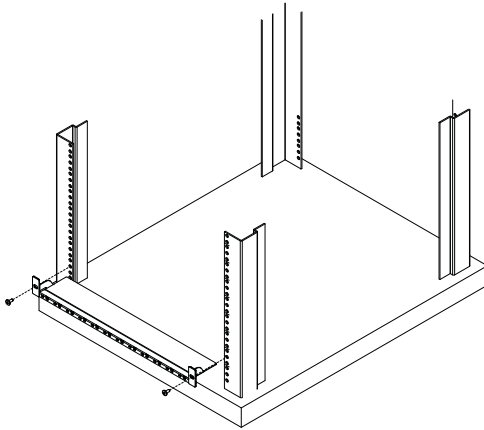
a) Align the device to its alignment line in the illustrated orientation.



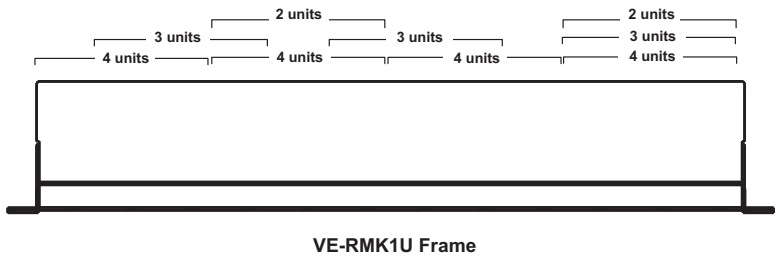
b) Secure the device to the mounting plate from the backside using the supplied countersunk head screws.



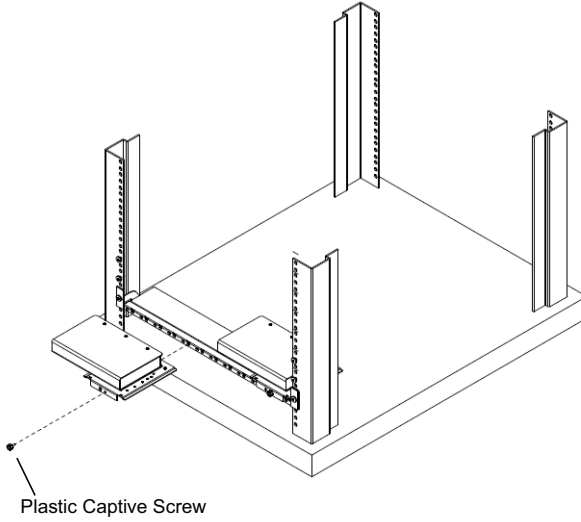
- c) Position the VE-RMK1U frame on the front of your rack, align the holes in the frame with the holes in the rack, and then secure the frame to the rack with self-prepared screws.



- d) Align your device and mounting plate assembly to one of the slots on the VE-RMK1U Frame.



- e) Secure the mounting plate to the frame with a plastic captive screw provided in the package.



Note: The maximum number of units that a VE-RMK1U Frame supports may vary across models. Refer to the table in step 1 for details.

Technical Support

International

- ◆ For online technical support – including troubleshooting, documentation, and software updates: <http://support.aten.com>
- ◆ For telephone support, call this number:

International	886-2-8692-6959
China	86-400-810-0-810
Japan	81-3-5615-5811
Korea	82-2-467-6789
North America	1-888-999-ATEN ext 4988 1-949-428-1111

North America

Email Support	support@aten-usa.com	
Online Technical Support	Troubleshooting Documentation Software Updates	http://www.aten-usa.com/support
Telephone Support	1-888-999-ATEN ext 4988	

When you contact us, please have the following information ready beforehand:

- ◆ Product model number, serial number, and date of purchase
- ◆ Your computer configuration, including operating system, revision level, expansion cards, and software
- ◆ Any error messages displayed at the time the error occurred
- ◆ The sequence of operations that led up to the error
- ◆ Any other information you feel may be of help

Limited Warranty

ATEN warrants its hardware in the country of purchase against flaws in materials and workmanship for a Warranty Period of two [2] years (warranty period may vary in certain regions/countries) commencing on the date of original purchase. This warranty period includes the LCD panel of ATEN LCD KVM switches. Select products are warranted for an additional year (see *A+ Warranty* for further details). Cables and accessories are not covered by the Standard Warranty.

What is covered by the Limited Hardware Warranty

ATEN will provide a repair service, without charge, during the Warranty Period. If a product is defective, ATEN will, at its discretion, have the option to (1) repair said product with new or repaired components, or (2) replace the entire product with an identical product or with a similar product which fulfills the same function as the defective product. Replaced products assume the warranty of the original product for the remaining period or a period of 90 days, whichever is longer. When the products or components are replaced, the replacing articles shall become customer property and the replaced articles shall become the property of ATEN.

To learn more about our warranty policies, please visit our website:

<http://www.aten.com/global/en/legal/policies/warranty-policy>