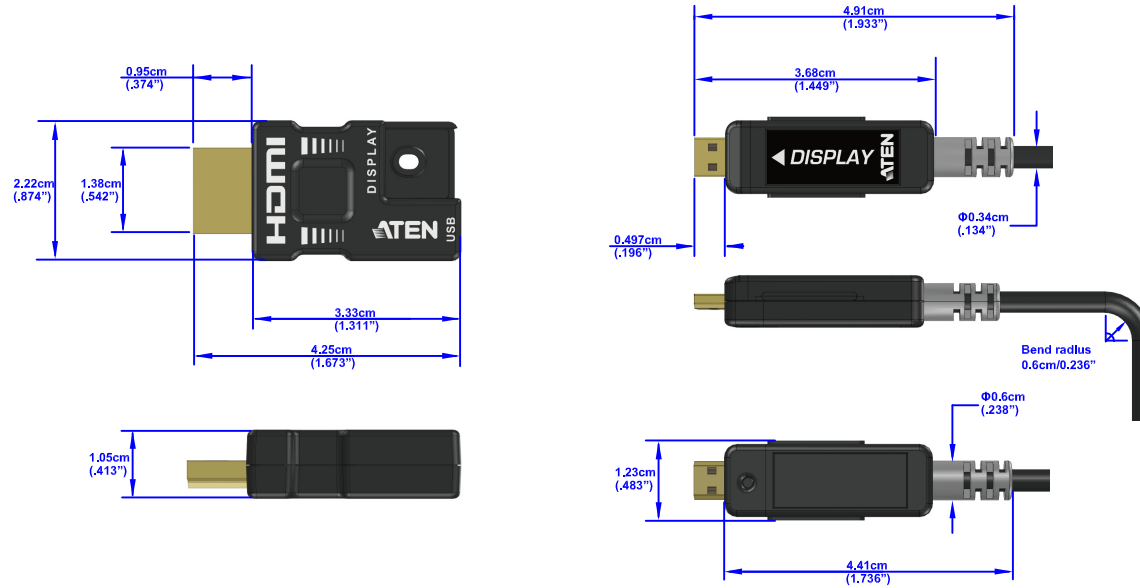
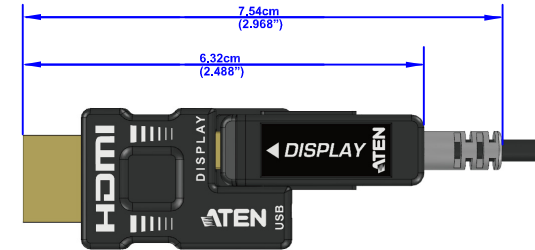


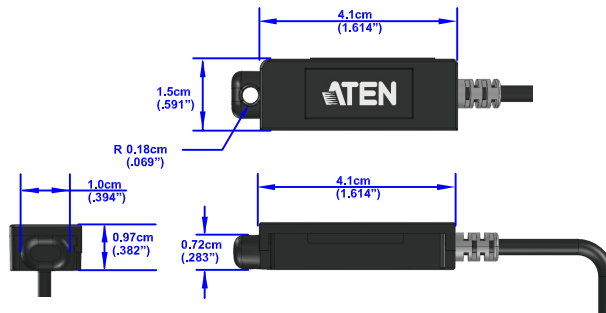
**OUTLINE DIMENSIONS
-GENDER**



-GENDER ASSEMBLY



PULLING TOOL DIMENSIONS



**VE7832/7833
VE7834/7835**