



**Short Depth WideScreen LCD Console
CL3800 / CL3700 / CL3100**

User Manual



EMC Information

FEDERAL COMMUNICATIONS COMMISSION INTERFERENCE STATEMENT: This equipment has been tested and found to comply with the limits for a Class A digital device, pursuant to Part 15 of the FCC Rules. These limits are designed to provide reasonable protection against harmful interference when the equipment is operated in a commercial environment. This equipment generates, uses, and can radiate radio frequency energy and, if not installed and used in accordance with the instruction manual, may cause harmful interference to radio communications. Operation of this equipment in a residential area is likely to cause harmful interference in which case the user will be required to correct the interference at his own expense.

The device complies with Part 15 of the FCC Rules. Operation is subject to the following two conditions: (1) this device may not cause harmful interference, and (2) this device must accept any interference received, including interference that may cause undesired operation.

FCC Caution: Any changes or modifications not expressly approved by the party responsible for compliance could void the user's authority to operate this equipment.

Warning: Operation of this equipment in a residential environment could cause radio interference.

KCC Statement

유선 제품용 / A 급 기기 (업무용 방송 통신 기기)

이 기기는 업무용 (A 급) 전자파적합기기로서 판매자 또는 사용자는 이 점을 주의하시기 바라며, 가정 외의 지역에서 사용하는 것을 목적으로 합니다.

RoHS

This product is RoHS compliant.



User Information

Online Registration

Be sure to register your product at our online support center:

International	http://eservice.aten.com
---------------	---

Telephone Support

For telephone support, call this number:

International	886-2-8692-6959
China	86-400-810-0-810
Japan	81-3-5615-5811
Korea	82-2-467-6789
North America	1-888-999-ATEN ext 4988 1-949-428-1111

User Notice

All information, documentation, and specifications contained in this manual are subject to change without prior notification by the manufacturer. The manufacturer makes no representations or warranties, either expressed or implied, with respect to the contents hereof and specifically disclaims any warranties as to merchantability or fitness for any particular purpose. Any of the manufacturer's software described in this manual is sold or licensed *as is*. Should the programs prove defective following their purchase, the buyer (and not the manufacturer, its distributor, or its dealer), assumes the entire cost of all necessary servicing, repair and any incidental or consequential damages resulting from any defect in the software.

The manufacturer of this system is not responsible for any radio and/or TV interference caused by unauthorized modifications to this device. It is the responsibility of the user to correct such interference.

The manufacturer is not responsible for any damage incurred in the operation of this system if the correct operational voltage setting was not selected prior to operation. **PLEASE VERIFY THAT THE VOLTAGE SETTING IS CORRECT BEFORE USE.**

A typical LCD (Liquid Crystal Display) monitor has millions of pixels. A dead pixel refers to a pixel with a defect in its ability to display the correct color output. It most often looks like a tiny black or white spot on your screen, although it can be any other color. Since even a tiny dust particle on one of the pixels during the manufacturing process or a slight bump during shipping can create a dead pixel, the ISO 13406-2 norm defines 4 classes of acceptable screens with dead pixels--Class 1 is the best; Class 4 is the worst. Almost all manufacturers use Class 2 to establish their warranties, which allows a certain amount of dead pixels to exist before they will replace the screen. Since the manufacturers consider these screens to be acceptable under ISO specifications, we cannot be responsible for replacement or warranty of the TFT LCD panel.

Package Contents

CL3800

- 1 CL3800 USB HDMI DVI VGA Dual Rail LCD Console with Standard Rack Mount Kit
- 1 USB HDMI KVM Cable Set
- 1 Firmware Upgrade Cable
- 1 Power Cord
- 2 Front-L Brackets
- 1 User Instructions*

CL3700

- 1 CL3700 USB HDMI Single Rail LCD Console with Standard Rack Mount Kit
- 1 USB HDMI KVM Cable Set
- 1 Firmware Upgrade Cable
- 1 Power Cord
- 1 User Instructions*

CL3100

- 1 CL3100 USB VGA Single Rail LCD Console with Standard Rack Mount Kit
- 1 USB VGA KVM Cable Set
- 1 Firmware Upgrade Cable
- 1 Power Cord
- 1 User Instructions*

Optional Equipment

Depending on any optional equipment that you may have purchased, one of the following items may be included in your package:

- ◆ Easy-Installation Rack Mount Kit – Short (2X-041G)
- ◆ Easy-Installation Rack Mount Kit – Long (2X-042G)

Check to make sure that all of the components are present and in good order. If anything is missing, or was damaged in shipping, contact your dealer.

Read this manual thoroughly and follow the installation and operation procedures carefully to prevent any damage to the console or to any other devices on the CL3800 / CL3700 / CL3100 installation.

* Changes may have been made to the manual since it was published. Please visit our web site to download the most up-to-date version of the manual

© Copyright 2019 ATEN® International Co., Ltd.

Manual Date: 2019-05-17

ATEN and the ATEN logo are registered trademarks of ATEN International Co., Ltd. All rights reserved.
All other brand names and trademarks are the registered property of their respective owners.

Contents

EMC Information	ii
RoHS	ii
User Information	iii
Online Registration	iii
Telephone Support	iii
User Notice	iv
Package Contents	v
CL3800	v
CL3700	v
CL3100	v
Optional Equipment	v
Contents	vii
About this Manual	ix
Overview	ix
Conventions	x
Product Information	x
1. Introduction	
Overview	1
Rear Panel External Console Ports	2
Features	3
Requirements	5
LCD Console	5
External Console	5
Cables	5
Operating Systems	7
Components	8
CL3800 Front View	8
CL3800 Rear View	11
CL3700 / CL3100 Front View	12
CL3700 Rear View	14
CL3100 Rear View	15
2. Hardware Setup	
Before you Begin	17
Standard Rack Mounting	19
Connecting Up - CL3800	21
Connecting Up - CL3700	23
Connecting Up - CL3100	24
3. Operation	
Opening / Closing the Console	25
CL3800	25

CL3700 / CL3100	29
Operating Precautions	30
LCD OSD Configuration	31
LCD Buttons	31
Adjustment Settings	32
Hot Plugging	33
Powering Off and Restarting	33
Port ID Numbering & Port Selection	33
Hotkeys	34

4. Firmware Upgrade

The Firmware Upgrade Utility	37
Before You Begin	37
Firmware Upgrade Mode	38
Performing the Upgrade	39
Starting the Upgrade:	39
Upgrade Succeeded:	41
Upgrade Failed:	42
Firmware Upgrade Recovery	43
Exiting Firmware Upgrade Mode	43

Appendix

Safety Instructions	45
General	45
Rack Mounting	47
Technical Support	48
International	48
North America	48
Specifications	49
CL3800NW / CL3800NX	49
CL3700NW / CL3700NX	51
CL3100NX	53
Optional Rack Mounting	55
Front-L Brackets Mounting (CL3800 only)	55
Easy Installation Kit Mounting	57
Sun Keyboard Emulation	61
Mac Keyboard	62
Troubleshooting	63
Limited Warranty	64

About this Manual

This User Manual is provided to help you get the most from your CL3800 / CL3700 / CL3100 system. It covers all aspects of installation, configuration and operation. An overview of the information found in the manual is provided below.

Overview

Chapter 1, Introduction, introduces you to the CL3800 / CL3700 / CL3100. Its purpose, features and benefits are presented, and its components are described.

Chapter 2, Hardware Setup, provides step-by-step instructions for setting up your installation, and explains some basic operation procedures.


Chapter 3, Operation, describes the fundamental concepts involved in operating the CL3800 / CL3700 / CL3100.

Chapter 4, Firmware Upgrade, explains how to upgrade the CL3800 / CL3700 / CL3100's firmware with the latest available versions.

An Appendix, provides specifications and other technical information regarding the CL3800 / CL3700 / CL3100.

Conventions

This manual uses the following conventions:

- Monospaced Indicates text that you should key in.
- [] Indicates keys you should press. For example, [Enter] means to press the **Enter** key. If keys need to be chorded, they appear together in the same bracket with a plus sign between them: [Ctrl+Alt].
1. Numbered lists represent procedures with sequential steps.
- ◆ Bullet lists provide information, but do not involve sequential steps.
- Indicates selecting the option (on a menu or dialog box, for example), that comes next. For example, Start → Run means to open the *Start* menu, and then select *Run*.
-  Indicates critical information.

Product Information

For information about all ATEN products and how they can help you connect without limits, visit ATEN on the Web or contact an ATEN Authorized Reseller. Visit ATEN on the Web for a list of locations and telephone numbers:

International	http://www.aten.com
North America	http://www.aten-usa.com

Chapter 1

Introduction

Overview

The CL3800 / CL3700 / CL3100 is a Short Depth WideScreen LCD Console Series targeting limited space and mobile live streaming applications. The short depth design fits all 19" equipment cabinets, and is especially suitable for shallow racks. In addition to saving valuable space on the rack, the CL3800/CL3700/CL3100 also provides a space-saving solution for special environments, such as outside broadcast vans (OB vans) and compact control rooms.

The CL3800 USB HDMI DVI VGA LCD Console is a dual rail LCD KVM console featuring an 18.5" LED-backlit widescreen LCD monitor with an integrated keyboard and touchpad. The CL3800 supports three types of video input – HDMI, DVI, and VGA – and provides the ultimate in installation flexibility by allowing users to connect the console and the computer via any of the three types of video source.

To maximize space utilization, the dual rail design enables CL3800's LCD monitor, keyboard and touchpad to operate independently of each other. The LCD console's keyboard and touchpad modules can slide back to hideaway when not in use, while the thin profile LCD monitor rotates back, flush against the rack, to allow the convenient monitoring of computer activity.

While the CL3800 supports multiple video interfaces, the CL3700 and CL3100 are dedicated front end sliding consoles respectively for compatible HDMI KVM switches and VGA KVM switches. Both of the CL3700 and CL3100 are single rail design with an 18.5" LED-backlit widescreen LCD monitor, an integrated keyboard and touchpad.

For added convenience, users can choose to manage the computer from an external console. Ports for a second external KVM console (USB keyboard/ mouse) with either an HDMI (CL3800 and CL3700), DVI (CL3800 only), or VGA (CL3800 and CL3100) monitor, are provided on the rear panel. The CL3800 and CL3100 include two mini stereo ports for connecting audio speakers, one in the CPU section, and the other in the external Console section on the rear panel. The CL3800/CL3700/CL3100 also features a port for an external USB mouse on the unit's front panel for use with the built-in keyboard. See *Rear Panel External Console Ports*, page 2 to view a table of available ports for each model.

The LCD monitors of the CL3800NW and CL3700NW support resolutions up to 1920 x 1080, while the LCD monitors of the CL3800NX, CL3700NX, and CL3100NX support resolutions up to 1366 x 768. See *Specifications*, page 49, for details.

Server rooms already installed with compatible KVM switches will have the advantage of easy LCD access, an additional KVM console, and a built-in space saving sliding module, without having to purchase a new KVM switch.

The CL3800 / CL3700 / CL3100's firmware is upgradable, so you can stay current with the latest updates by downloading them from the ATEN website. Setup is fast and easy. Simply use the custom cable included with your device to connect the CL3800 / CL3700 / CL3100 to the console ports of your KVM switch and you are ready to go!

Rear Panel External Console Ports

Model	Keyboard/ Mouse	Audio (Speakers)	HDMI	VGA	DVI
CL3800	Yes	Yes	Yes	Yes	Yes
CL3700	Yes	No	Yes	No	No
CL3100	Yes	Yes	No	Yes	No

Features

- ◆ Exclusive LED illumination light – designed by ATEN to illuminate the keyboard and touchpad to allow visibility in low-light conditions
- ◆ Short-depth design allows you to work with your rack-mounting equipment in narrow spaces
- ◆ Integrated LCD KVM console with 18.5" LED-backlit widescreen LCD monitor in a dual rail housing with top and bottom clearance for smooth operation in a 1U high system rack (CL3800 only)
- ◆ Dual rail design allows LCD monitor and keyboard/touchpad modules to operate independently (CL3800 only)
- ◆ Integrated LCD KVM console with 18.5" LED-backlit widescreen LCD monitor in a single rail housing with top and bottom clearance for smooth operation in a 1U high system rack (CL3700 and CL3100)
- ◆ Supports three types of video input – HDMI, DVI, and VGA*; supports an external console with USB / HDMI / VGA / DVI connectors* (CL3800 only)
- ◆ Supports HDMI video input; supports an external console with USB / HDMI connectors (CL3700 only)
- ◆ Supports VGA video input; supports an external console with USB / VGA connectors (CL3100 only)
- ◆ LCD monitor supports Full HD resolution of 1920 x 1080 @ 60 Hz (CL3800NW and CL3700NW only); LCD monitor supports resolution of 1366 x 768 @ 60 Hz (CL3800NX, CL3700NX, CL3100NX)
- ◆ External console supports input video resolutions up to 1920 x 1200 @ 60 Hz
- ◆ Audio support for connecting speakers (CL3800 and CL3100 only)
- ◆ Console lock – enables the console drawer to remain securely locked away in position when not in use
- ◆ Additional hot-pluggable USB mouse port on front panel (also functions as a USB peripheral port)
- ◆ Console selection via hotkey
- ◆ Standard 105-key keyboard
- ◆ Keyboard Language support: English (US), English (UK), French, German, German (Swiss), Greek, Hungarian, Italian, Japanese, Korean, Russian, Spanish, Swedish, Turkish, and Traditional Chinese
- ◆ Standard rack mount kit included
- ◆ Optional Easy Installation Rack Mounting Kit available**
- ◆ No software required
- ◆ Firmware upgradable
- ◆ Supports hot-plugging

Note: 1. Only one video signal (HDMI, DVI-D, or VGA) can be displayed at time.

2. Easy Installation Rack Mounting Kit is sold separately. Contact your ATEN dealer for product information.

Requirements

LCD Console

- ◆ The CL3800 supports most ATEN HDMI, DVI, and VGA KVM switches; the CL3700 supports most ATEN HDMI KVM switches; the CL3100 supports most ATEN VGA KVM switches.
- ◆ For CL3800NW and CL3700NW models, the integrated LCD monitor's maximum resolution is 1920 x 1080 @ 60 Hz; for CL3800NX, CL3700NX, and CL3100NX models, the integrated LCD monitor's maximum resolution is 1366 x 768 @ 60 Hz. Make sure that none of the resolution settings of the connected computers exceed the LCD monitor's maximum resolution.

External Console

- ◆ An HDMI, DVI, or VGA monitor capable of displaying the highest resolution provided by any computer in the installation (CL3800).
- ◆ An HDMI monitor capable of displaying the highest resolution provided by any computer in the installation (CL3700).
- ◆ A VGA monitor capable of displaying the highest resolution provided by any computer in the installation (CL3100).
- ◆ USB keyboard and mouse

Cables

For optimum signal integrity and to simplify the layout, we strongly recommend that you use high quality custom cable sets available in varying lengths, described in the table below, which can be purchased from your dealer.

CL3800		
Length (m)	Type	Part Number
1.80	USB, DVI	2L-7D02U
	USB, HDMI	2L-7D02UH
	USB, HDMI to DVI	2L-7D02DH
3.00	USB, DVI	2L-7D03U
5.00	USB, DVI	2L-7D05U

CL3700		
Length (m)	Type	Part Number
1.80	USB, HDMI	2L-7D02UH

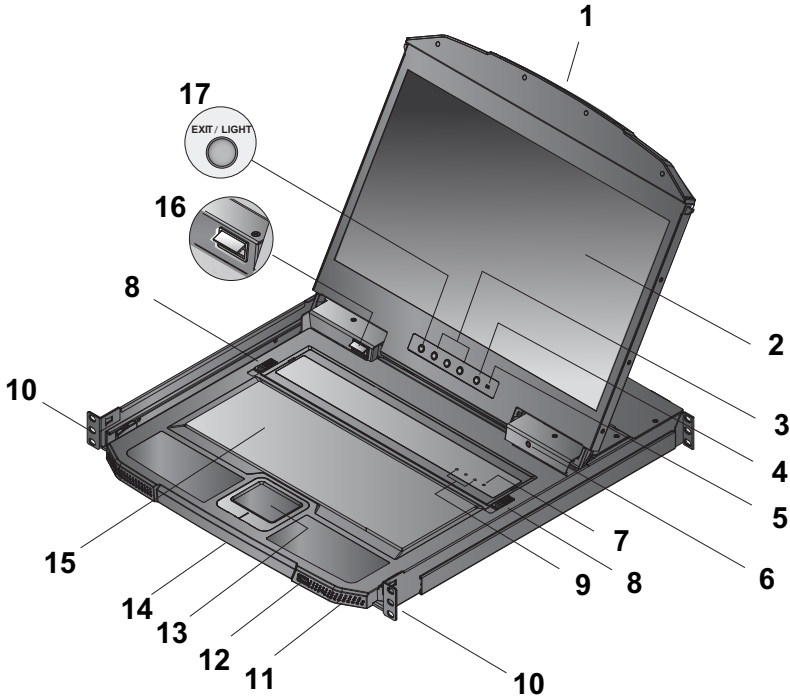
CL3100		
Length (m)	Type	Part Number
1.20	USB, VGA	2L-5201U, 2L-5301U
1.80		2L-5202U, 2L-5302U
3.00		2L-5203U, 2L-5303U
5.00		2L-5205U, 2L-5305U

Operating Systems

Supported operating systems include Windows, Mac, Linux, and Sun.

Components

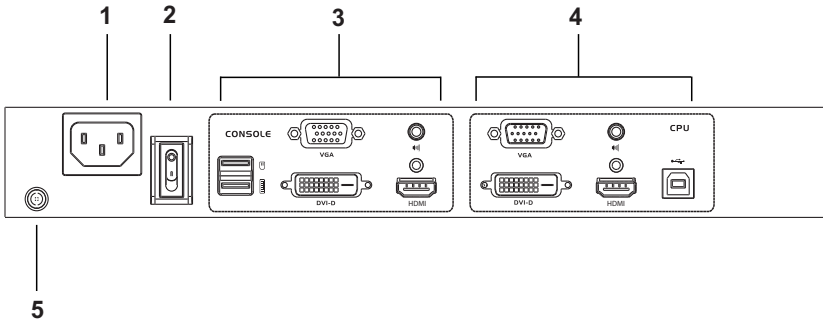
CL3800 Front View



No.	Component	Description
1	Upper Handle	Pull to slide the LCD module out; push to slide it in. See <i>Opening / Closing the Console</i> , page 25, for details on sliding the console in and out
2	LCD Module	After sliding the LCD module out, flip up the cover to access the LCD display.
3	LCD Controls	The buttons to control the position and picture settings of the LCD display are located here. See page 31, for details.
4	LCD On / Off Button	Push this button to turn the LCD monitor on and off. The button lights when the LCD monitor is off. Note: The light indicates that only the monitor is off, not the attached KVM switch.
5	Firmware Upgrade Switch	During normal operation and while performing a firmware upgrade, this switch should be in the NORMAL position. If a firmware upgrade operation does not complete successfully, this switch is used to perform a firmware upgrade recovery. See <i>Firmware Upgrade Recovery</i> , page 43, for details.
6	Firmware Upgrade Port	The firmware upgrade cable that transfers the firmware upgrade data from the administrator's computer plugs into this 3.5 mm audio jack.
7	Reset Switch	Located to the right of the Lock LEDs. Press this recessed switch in with a thin object to perform a system reset.
8	Keyboard Module Releases	These catches (one on each side) release the keyboard module so you can slide it away.
9	Lock LEDs	The Num Lock, Caps Lock, Scroll Lock LEDs are located here.
10	Rack Mounting Tabs	Rack mounting tabs are located at each corner of the unit. See <i>The LCD KVM switch is designed for rack mounting. If the KVM switch is not rack mounted be sure to place it on a completely flat and firm surface before pulling the device in or out to prevent damage due to uneven force on the module.</i> , page 18, for details.
11	Power LED	Lights (green) to indicate that the unit is receiving power.
12	USB Port	The USB port is available to connect a USB peripheral device (flash drive, CD-ROM drive, etc.) to the console, or a USB mouse for users who prefer to use an external mouse.
13	Touchpad	Standard mouse touchpad

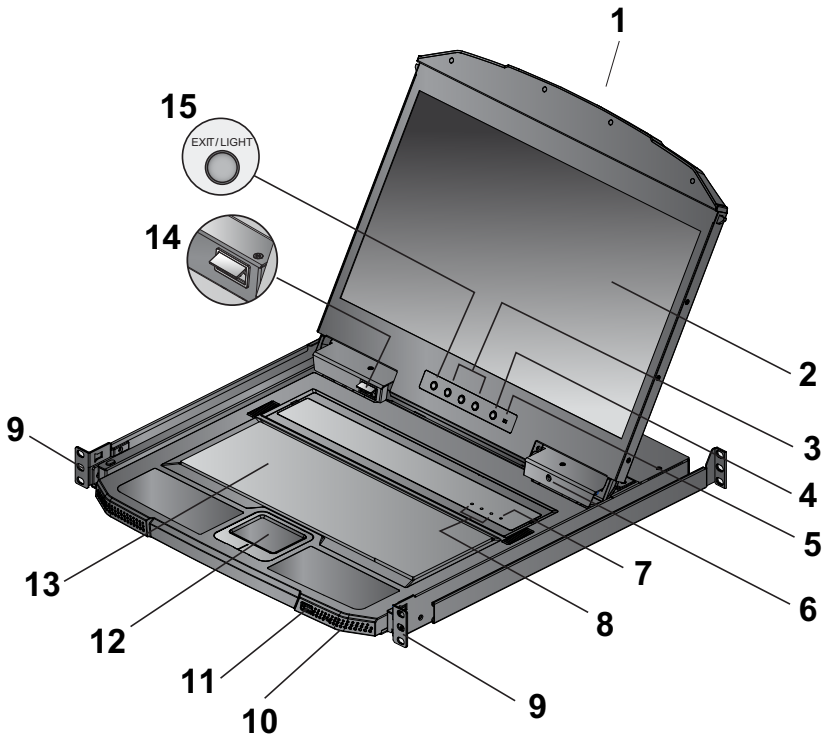
No.	Component	Description
14	Bottom Handle	Pull to slide the keyboard module out. See <i>Opening / Closing the Console</i> , page 25, for details on sliding the console in and out.
15	Keyboard Module	Standard 105-key keyboard.
16	LED Illumination Light	Illuminates the keyboard and touchpad to allow visibility in low-light conditions.
17	Exit/Light Pushbutton	Press the Exit/Light pushbutton for two seconds to turn the LED Illumination Light On or Off. (Default: On)

CL3800 Rear View



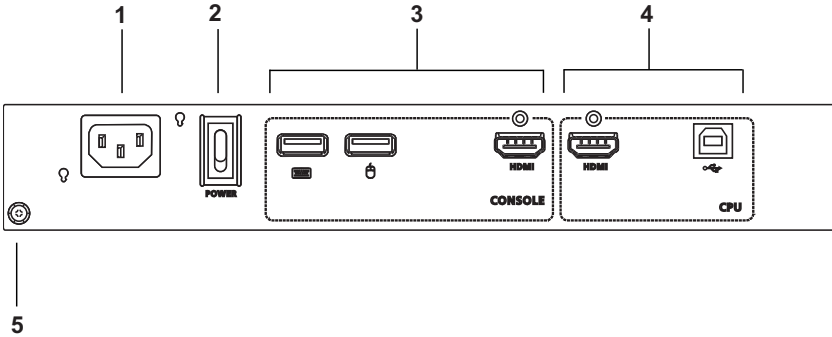
No.	Component	Description
1	Power Socket	This is a standard 3 prong AC power socket. The power cord from an AC source plugs in here.
2	Power Switch	This is a standard rocker switch that powers the CL3800 on and off.
3	External Console Section	For flexibility and convenience, the CL3800 supports an independent, external, KVM console. The external console's USB keyboard and mouse, HDMI, DVI, or VGA monitor, and speaker cable plug in here.
4	KVM Port Section	The custom USB HDMI KVM cable supplied with the package for linking the CL3800 to a computer or switch plugs in here. Additional DVI and VGA ports are provided.
5	Grounding Terminal	The grounding wire (used to ground the unit) attaches here.

CL3700 / CL3100 Front View



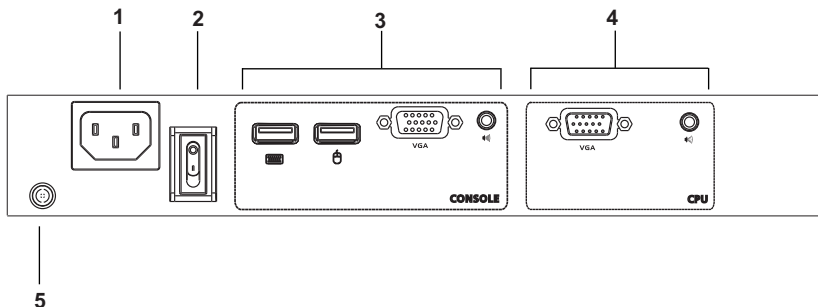
No.	Component	Description
1	Upper Handle With Release Bar	Pull to slide the LCD module out; push to slide it in. See <i>Opening / Closing the Console</i> , page 25, for details on sliding the console in and out
2	LCD Module	After sliding the LCD module out, flip up the cover to access the LCD display.
3	LCD Controls	The buttons to control the position and picture settings of the LCD display are located here. See page 31, for details.
4	LCD On / Off Button	Push this button to turn the LCD monitor on and off. The button lights when the LCD monitor is off. Note: The light indicates that only the monitor is off, not the attached KVM switch.
5	Firmware Upgrade Switch	During normal operation and while performing a firmware upgrade, this switch should be in the NORMAL position. If a firmware upgrade operation does not complete successfully, this switch is used to perform a firmware upgrade recovery. See <i>Firmware Upgrade Recovery</i> , page 43, for details.
6	Firmware Upgrade Port	The firmware upgrade cable that transfers the firmware upgrade data from the administrator's computer plugs into this 3.5 mm audio jack.
7	Reset Switch	Located to the right of the Lock LEDs. Press this recessed switch in with a thin object to perform a system reset.
8	Lock LEDs	The Num Lock, Caps Lock, Scroll Lock LEDs are located here.
9	Rack Mounting Tabs	Rack mounting tabs are located at each corner of the unit. See <i>The LCD KVM switch is designed for rack mounting. If the KVM switch is not rack mounted be sure to place it on a completely flat and firm surface before pulling the device in or out to prevent damage due to uneven force on the module.</i> , page 18, for details.
10	Power LED	Lights (green) to indicate that the unit is receiving power.
11	USB Port	The USB port is available to connect a USB peripheral device (flash drive, CD-ROM drive, etc.) to the console, or a USB mouse for users who prefer to use an external mouse.
12	Touchpad	Standard mouse touchpad.
13	Keyboard Module	Standard 105-key keyboard.
14	LED Illumination Light	Illuminates the keyboard and touchpad to allow visibility in low-light conditions.
15	Exit/Light Pushbutton	Press the Exit/Light pushbutton for two seconds to turn the LED Illumination Light On or Off. (Default: On)

CL3700 Rear View



No.	Component	Description
1	Power Socket	This is a standard 3 prong AC power socket. The power cord from an AC source plugs in here.
2	Power Switch	This is a standard rocker switch that powers the CL3700 on and off.
3	External Console Section	For flexibility and convenience, the CL3700 supports an independent, external, KVM console. The external console's USB keyboard and mouse, and HDMI cable plug in here.
4	KVM Port Section	The custom USB HDMI KVM cable supplied with the package for linking the CL3700 to a computer or switch plugs in here.
5	Grounding Terminal	The grounding wire (used to ground the unit) attaches here.

CL3100 Rear View



No.	Component	Description
1	Power Socket	This is a standard 3 prong AC power socket. The power cord from an AC source plugs in here.
2	Power Switch	This is a standard rocker switch that powers the CL3100 on and off.
3	External Console Section	For flexibility and convenience, the CL3100 supports an independent, external, KVM console. The external console's USB keyboard and mouse, VGA monitor, and speaker cable plug in here.
4	KVM Port Section	The custom KVM cable supplied with the package for linking the CL3100 to a computer or switch plugs in here.
5	Grounding Terminal	The grounding wire (used to ground the unit) attaches here.

This Page Intentionally Left Blank

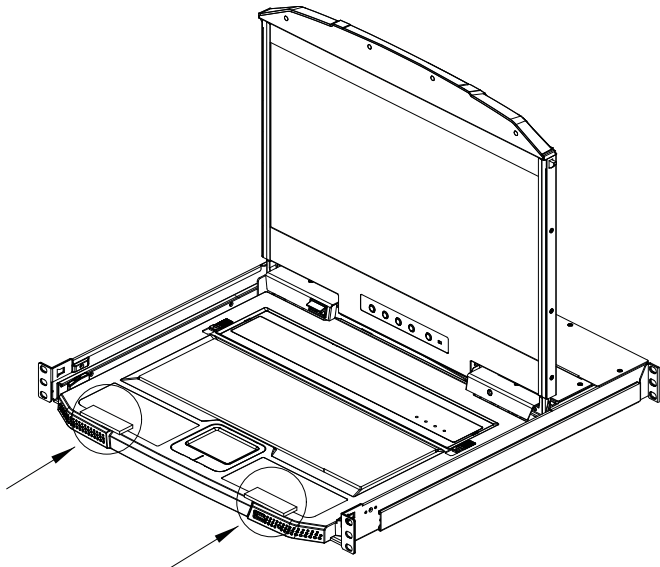
Chapter 2

Hardware Setup

Before you Begin

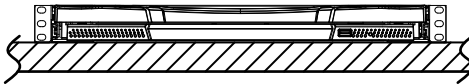
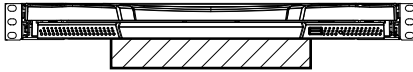


1. Important safety information regarding the placement of this device is provided on page 45. Please review it before proceeding.
2. Make sure that power to all the devices you will be connecting up has been turned off. You must unplug the power cords of any computers that have the Keyboard Power On function.
3. (CL3800 only) Packing material has been inserted to protect the CL3800 during shipping. Slide the LCD module out (see *Opening / Closing the Console*, page 25), until the packing material is visible. Remove the packing material before installing the unit, as shown in the diagram below.



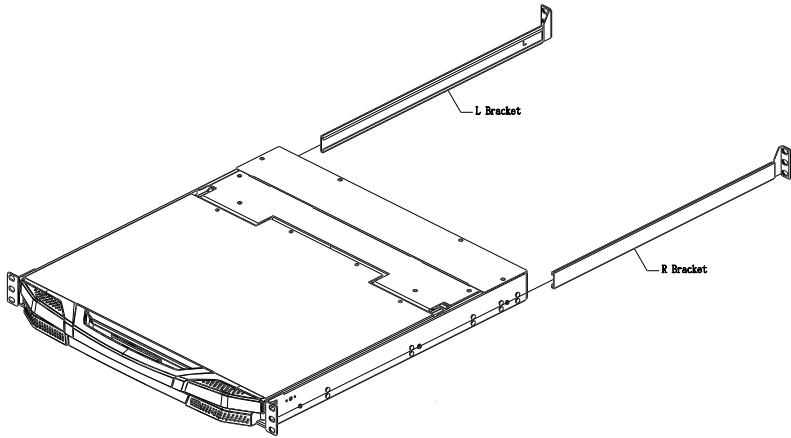
4. The LCD KVM switch is designed for rack mounting. If the KVM switch is not rack mounted be sure to place it on a completely flat and firm surface before pulling the device in or out to prevent damage due to uneven force on the module.

Place on Flat Surface



Standard Rack Mounting

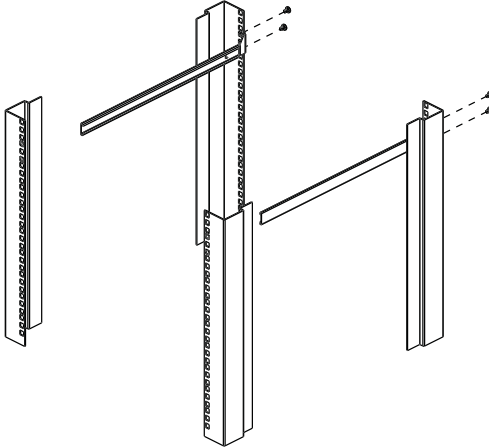
A standard rack mounting kit enables the CL3800 to be mounted in a rack with a depth of 47–75 cm. A standard rack mounting kit enables the CL3700/CL3100 to be mounted in a rack with a depth of 42–72 cm.



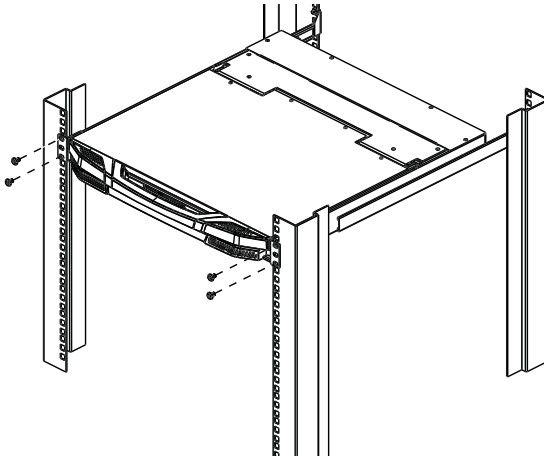
-
- Note:**
1. It takes two people to mount the module: one to hold it in place, the other to screw it in.
 2. The standard rack mounting kit does not include screws or cage nuts. If you need additional screws or cage nuts, contact your rack dealer.
 3. Optional mounting kits – including single person *Easy Installation* kits – are available with a separate purchase. See *Optional Rack Mounting*, page 55 in the Appendix for details.
-

To rack mount the CL3800 / CL3700 / CL3100, do the following:

1. Attach the left and right mounting brackets to the back of the rack, installing four screws in the tabs to secure them in place.



2. While one person inserts the CL3800 / CL3700 / CL3100 into place by sliding its left and right side bars into the mounting brackets (on the rack), have a second person install four screws in the front tabs to secure the module to the front of the rack.



Note: Allow at least 5.1 cm on each side for proper ventilation, and at least 12.7 cm at the back for the power cord and cable clearance.

Connecting Up - CL3800

Refer to the example installation diagram in the next page as you perform the following steps:

1. Plug the USB; then HDMI, DVI-D, or VGA and audio connectors of a KVM cable (either supplied with the unit, or purchased separately, see *Cables*, page 5) into the KVM ports located in the CPU section on the rear of the CL3800.

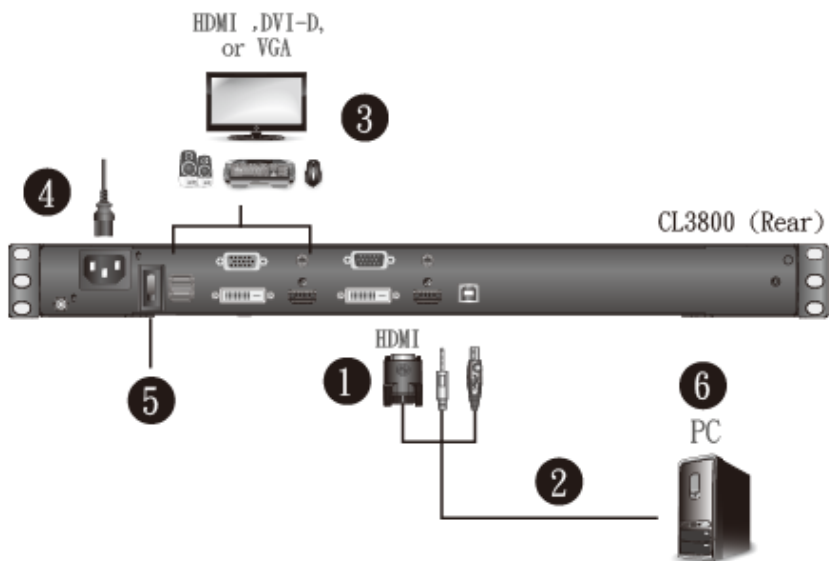
Note: The CL3800 supports speakers only. It does not support a microphone. Connect the KVM cable's speaker jack (green) to the CL3800's audio port.

2. Plug the keyboard, monitor, mouse and audio connectors of the KVM cable into their respective ports on a computer.
3. If you are installing an external console, plug your keyboard, monitor, mouse and speakers into their respective ports in the Console Section of the CL3800.

Note: The CL3800 supports an HDMI, DVI-D, or VGA external console monitor, but only one video signal (HDMI, VGA, or DVI-D) can be displayed at a time. The DVI monitor will display a DVI-D signal only.

4. Plug the CL3800's power cord into the CL3800's power socket and into a power source.
5. Turn on the power to LCD Console.
6. Power on your PC.

Installation Diagram

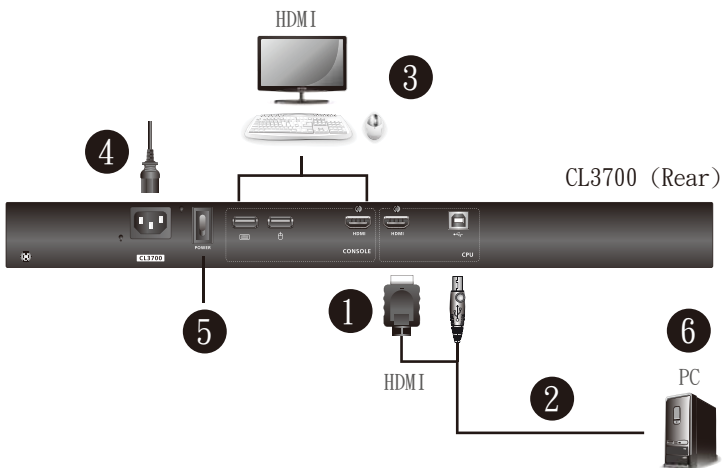


Connecting Up - CL3700

Refer to the example installation diagram below as you perform the following steps:

1. Plug the HDMI and USB Type B connectors of a KVM cable into the KVM ports located in the CPU section on the rear of the CL3700.
2. Plug the USB Type A and HDMI connectors of the KVM cable into their respective ports of a computer.
3. If you are installing an external console, plug your keyboard, mouse, and monitor into their respective ports on the Console Section of the CL3700.
4. Plug one end of the CL3700's power cord into the CL3700's power socket, and plug the other end into a power source.
5. Turn on the power to the LCD Console.
6. Power on your PC.

Installation Diagram



Connecting Up - CL3100

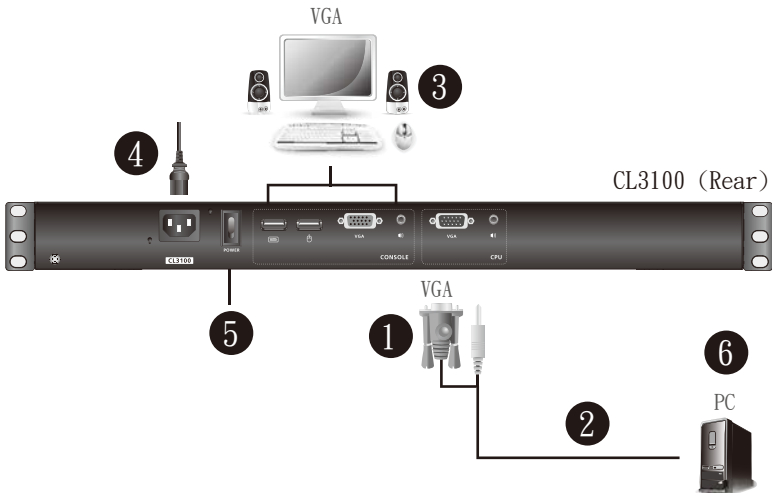
Refer to the example installation diagram below as you perform the following steps:

1. Plug the VGA and audio connectors of a KVM cable into the KVM ports located in the CPU section on the rear of the CL3100.

Note: The CL3100 supports speakers only. It does not support a microphone. Connect the KVM cable's speaker jack (green) to the CL3100's audio port.

2. Plug the USB, VGA, and audio connectors of the KVM cable into their respective ports of a computer.
3. If you are installing an external console, plug your keyboard, mouse, and speakers (microphone not supported) into their respective ports on the Console Section of the CL3100.
4. Plug one end of the CL3100's power cord into the CL3100's power socket, and plug the other end into a power source.
5. Turn on the power to LCD Console.
6. Power on your PC.

Installation Diagram



Chapter 3 Operation

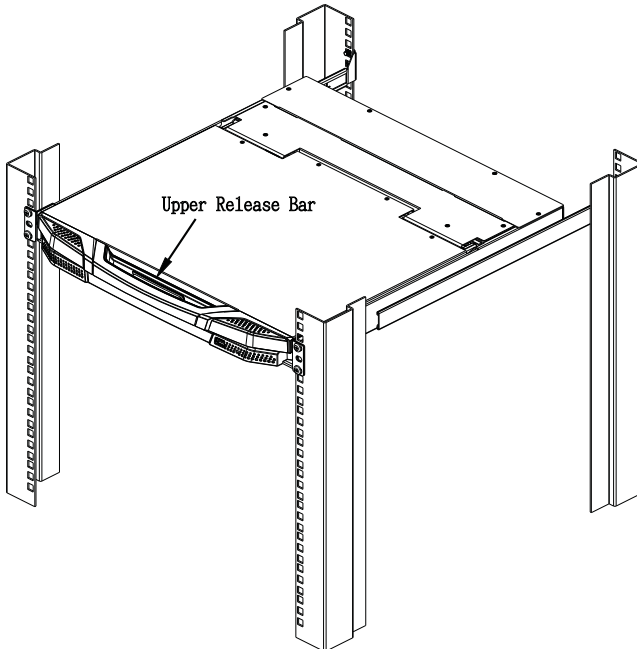
Opening / Closing the Console

The CL3800's console consists of two modules: an 18.5" LCD display module located under the top cover; and a keyboard / touch pad module below the LCD module. The modules can either slide together, or independently. This allows you to have the LCD display available for viewing while the keyboard / touch pad module is conveniently out of the way when not in use.

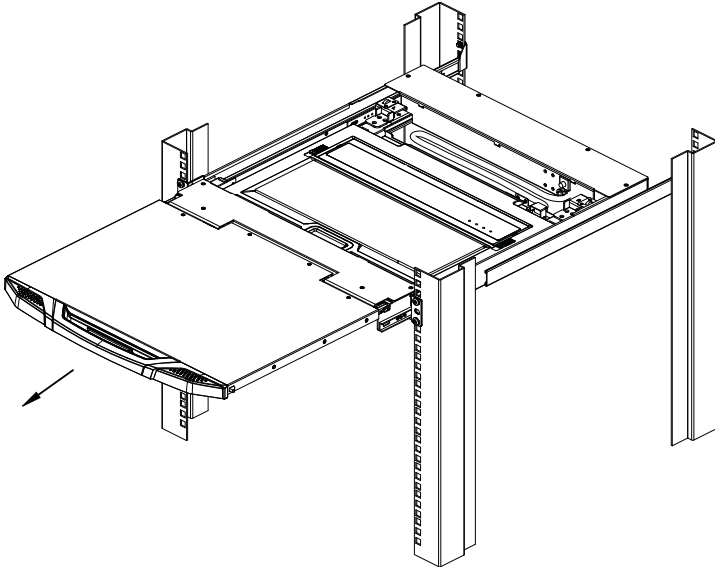
The CL3700 and CL3100 are single rail consoles and so the LCD display module and keyboard/touch pad module can only slide in/out together.

CL3800

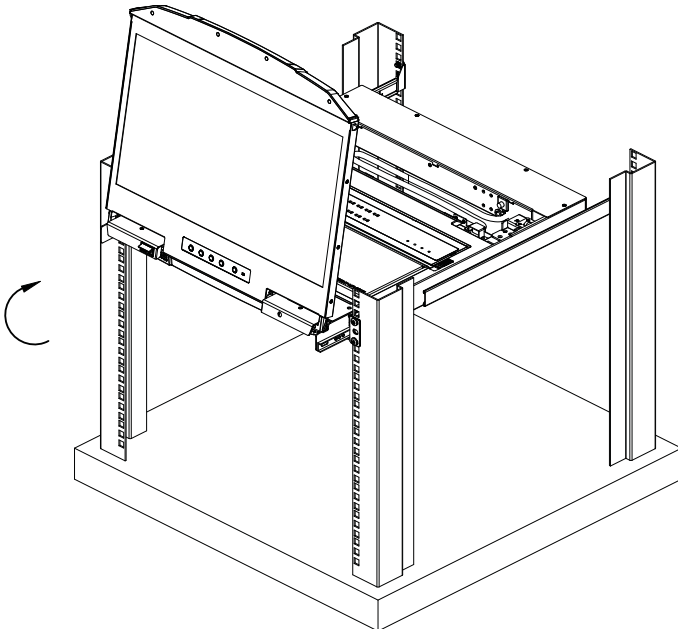
1. Use the Upper Release Bar handle to pull the Panel module straight out.



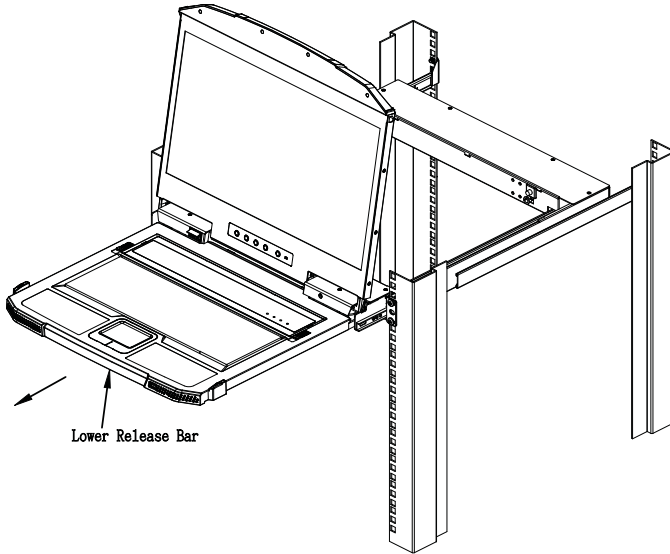
2. Pulling, slide the Panel module out until it clicks in place.



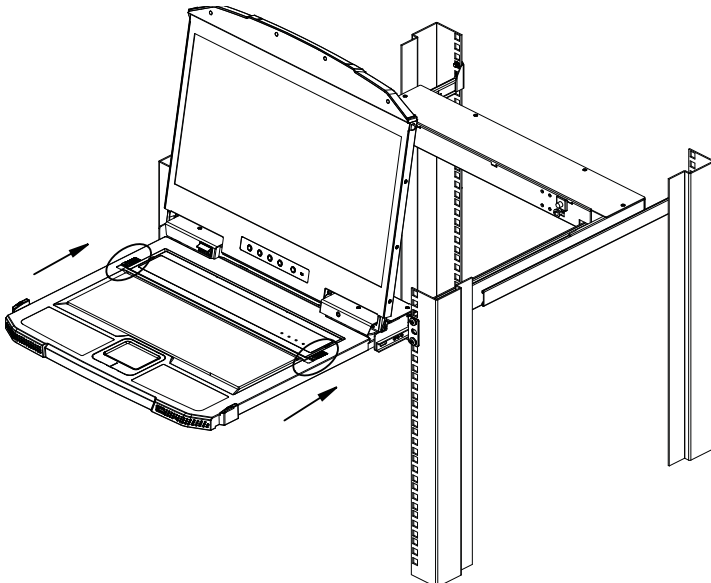
3. Raise the top panel all the way back to expose the LCD screen.



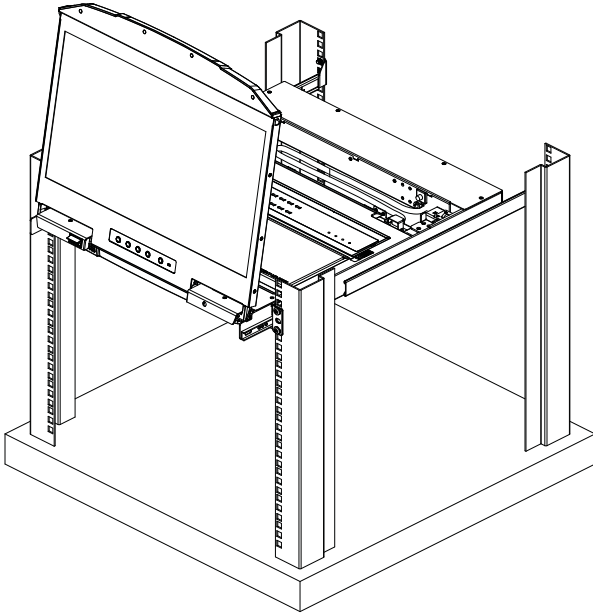
4. Use the Lower Release Bar handle to pull the keyboard module straight out unit it clicks in place.



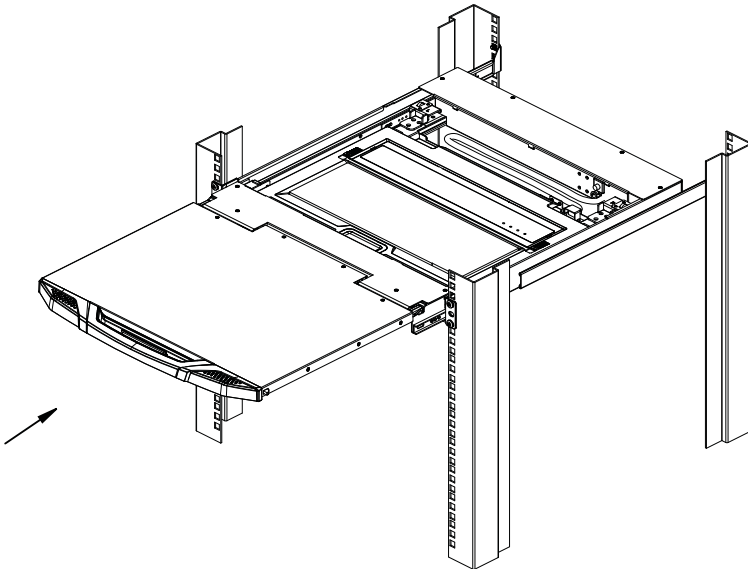
5. To independently retract the keyboard into the rack, slide both Keyboard Module Releases and push the keyboard module all the way in.



6. Slide the keyboard in until it's completely inserted into the rack.



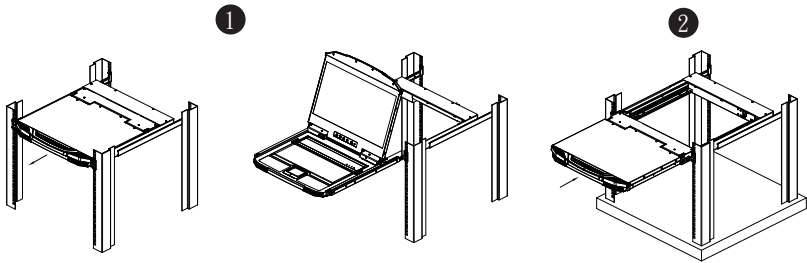
7. To close the LCD screen, lower the panel module until it lies flat and slide it back in.



CL3700 / CL3100

Refer to the diagrams below to open or close the console as you do the following:

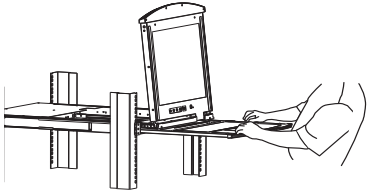
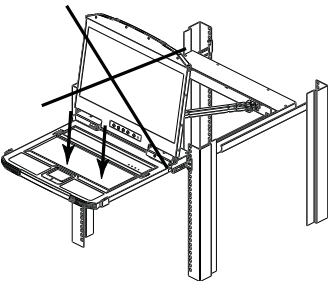
1. Pull on the Release Bar on the upper handle. Slide the console module out until it clicks in place, and then raise the LCD Module lid.
2. To close the console, lower the LCD Module until it lies flat, and slide the full console in.



Operating Precautions





The maximum load bearing capacity of the keyboard module is 30 kg. Failure to heed the information below can result in damage to the keyboard module.

	<p>Right!</p> <p>Rest your hands and arms lightly on the keyboard module as you work.</p>
	<p>Wrong!</p> <ul style="list-style-type: none">◆ DO NOT lean your body weight on the keyboard module.◆ DO NOT place heavy objects on the keyboard module.

LCD OSD Configuration

LCD Buttons

The LCD OSD allows you to set up and configure the LCD display. Four buttons are used to perform the configuration, as described in the table, below:

Button	Function
MENU	<ul style="list-style-type: none"> ◆ When you have not entered the LCD OSD Menu function, pressing this button invokes the Menu function, and brings up the Main Menu. ◆ When you have entered the LCD OSD Menu function, and have reached a setting choice with the navigation buttons, pressing this button brings up its adjustment screen.
	When navigating through the menus, this button moves you Right or Up. When making an adjustment, it increases the value.
	When navigating through the menus, this button moves you Left or Down. When making an adjustment, it decreases the value.
EXIT	<ul style="list-style-type: none"> ◆ When you have not entered the LCD OSD Menu function, pressing this button performs an auto adjustment. An auto adjustment automatically configures all the settings for the LCD panel to what the OSD considers their optimum values to be. ◆ When you have entered the LCD OSD Menu function, pressing this button exits the current menu and returns you to the previous menu. Use it to leave an adjustment menu when you are satisfied with the adjustment you made. ◆ When you are at the Main Menu, pressing this button exits the LCD OSD.

Adjustment Settings

An explanation of the LED OSD adjustment settings is given in the table below:

Setting	Explanation
Brightness	Adjusts the background black level of the screen image.
Contrast	Adjusts the foreground white level of the screen image.
Phase	If pixel jitter or horizontal line noise is visible on the display, your LED may have the wrong phase setting. Adjust the phase setting to eliminate these problems.
Clock	If vertical banding is visible on the display, your LED may have the wrong clock setting. Adjust the clock setting to eliminate vertical banding.
H-Position	Positions the display area on the LED panel horizontally (moves the display area left or right).
V-Position	Positions the display area on the LED panel vertically (moves the display area up or down).
Color Temperature	Adjusts the color quality of the display. You can adjust the warmth value, color balance, etc. The <i>Adjust Color</i> selection has a further submenu that lets you fine tune the RGB values.
Language	Selects the language that the OSD displays its menus in.
OSD Duration	Lets you set the amount of time the OSD displays on the screen. If there is no input for the amount of time you choose, the OSD display turns off.
Input Source	Lets you select an <i>Analog (VGA)</i> or <i>Digital (HDMI, DVI)</i> input source for connecting an external console to the CL3800. This option is not available for the CL3700 or CL3100 as they only have one input source option. See <i>External Console Section</i> , page 11.
Reset	Resets the adjustments on all menus and submenus to their factory default settings. Note: The <i>Language</i> setting does not return to the factory default, but remains at the one that you have set it to.

Hot Plugging

The CL3800 / CL3700 / CL3100 supports *hot plugging* – components can be removed and added to the console by unplugging their cables from the ports without the need to shut down the CL3800 / CL3700 / CL3100.

Powering Off and Restarting

If it becomes necessary to Power Off the CL3800 / CL3700 / CL3100 (to upgrade the firmware, for example), simply turn off the power to the unit using the rear panel power switch. To restart the CL3800 / CL3700 / CL3100, turn the rear panel power switch back on.

Port ID Numbering & Port Selection

If you connect a KVM switch to the CL3800 / CL3700 / CL3100, Port ID numbering and Port Selection follow the method used by the connected KVM switch. Consult your KVM switch's user manual for details.

Hotkeys

Console selection is accomplished with the following hotkey combinations:

Combination	Action	Beeps	LEDs
[Ctrl] [Alt] [Shift] [P] [C] [Enter]	To select normal mode (pc, etc.).	2	None
[Ctrl] [Alt] [Shift] [M] [A] [C] [Enter]	To select Mac	2	None
[Ctrl] [Alt] [Shift] [S] [U] [N] [Enter]	To select SUN	2	None
[Ctrl] [Alt] [Shift] [u] [p] [g] [r] [a] [d] [e] [Enter]	Activates the Firmware Upgrade Mode. Note: this Hotkey sequence only works when the Firmware Upgrade Recovery Switch (see page 38) is in the Normal position.	None	3 Flashing when upgrade is in process
[Ctrl] [Alt] [Shift] [L] [Enter]	Enable Local (LCD) console; Disable 2nd console or external console video.	2	None
[Ctrl] [Alt] [Shift] [R] [Enter]	Enable 2nd console, or external console video; Disable Local (LCD) console.	2	None
[Ctrl] [Alt] [Shift] [L] [R] [Enter] or [Ctrl] [Alt] [Shift] [R] [L] [Enter]	Enable both consoles (default).	2	None
[Ctrl] [Alt] [Shift] [U] [M] [Enter]	Configures the front USB Port to mouse mode (Mouse functionality is immediate upon switching to USB mouse mode). (USB mouse mode [U] [M] is the default)	2	None
[Ctrl] [Alt] [Shift] [U] [P] [Enter]	Configures the front USB Port to peripheral mode.	2	None
[Ctrl] [Alt] [Shift] [F4] [Enter]	Print the switch's current settings via a text editor or word processor.	None	None
[Ctrl] [Alt] [Shift] [F11] [F] [Enter]	Set the KVM port to USB full speed.	2	None
[Ctrl] [Alt] [Shift] [F11] [L] [Enter]	Set the KVM port to USB low speed.	2	None

Note: 1. Press the keys in sequence – one key at a time. First [Ctrl], then [Alt], then [Shift], etc.

2. Console selections are not saved. If the CL3800 / CL3700 / CL3100 is powered off, it reverts to the default setting of both consoles enabled when it is powered on again.
 3. Either side of the keyboard can be used to invoke **[Shift] [Ctrl] [Alt]** hotkeys.
 4. If the KVM switch connected to the CL3800 / CL3700 / CL3100 uses the **[Ctrl] [Alt] [Shift]** combination to invoke its hotkey mode, you won't be able to access any of its hotkey operations because the CL3800 / CL3700 / CL3100 will capture the combination for console selection first.
-

This Page Intentionally Left Blank

Chapter 4

Firmware Upgrade

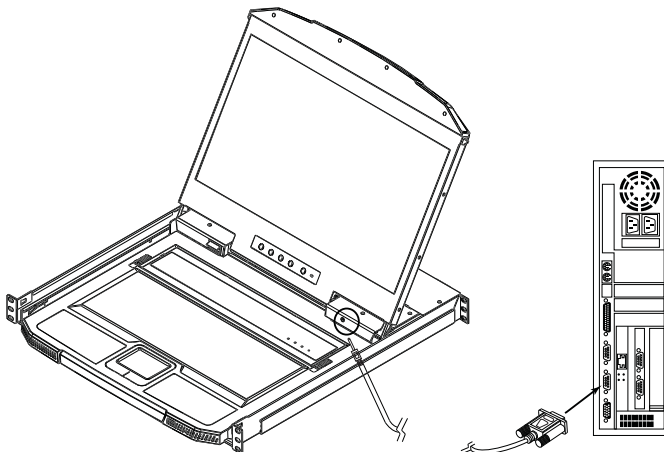
The Firmware Upgrade Utility

As new firmware revisions become available for the CL3800 / CL3700 / CL3100, firmware upgrade packages are posted on the ATEN web site. The Windows-based Firmware Upgrade Utility (FWUpgrade.exe) provides a smooth, automated process for upgrading the CL3800 / CL3700 / CL3100's firmware. Check the web site regularly to find the latest firmware packages and information relating to them.

Before You Begin

To prepare for the firmware upgrade, do the following:

1. From a computer that is not part of your CL3800 / CL3700 / CL3100 installation go to ATEN's Internet support site and choose the model name that relates to your device to get a list of available Firmware Upgrade Packages.
2. Choose the Firmware Upgrade Package you want to install (usually the most recent), and download it to your computer.
3. Use the *Firmware Upgrade Cable* (provided with this unit), to connect a COM port on your computer to the *Firmware Upgrade Port* of the CL3800 / CL3700 / CL3100.



Firmware Upgrade Mode

The CL3800 / CL3700 / CL3100's firmware upgrade mode can be accessed one of two ways: by entering a hotkey sequence (see *Hotkeys*, page 34), or by placing the CL3800 / CL3700 / CL3100 in firmware upgrade recovery mode (see *Firmware Upgrade Recovery*, page 43).

Note: In order to activate the Firmware Upgrade Mode using a hotkey sequence, the Firmware Upgrade Recovery Switch (see page 9) must be set to the **Normal** position.

1. Turn off the power to the CL3800 / CL3700 / CL3100 using the power switch located on the back side of the console.
2. Slide the firmware switch to RECOVER (see page 9).
3. Turn on the power to the CL3800 / CL3700 / CL3100 using the power switch located on the back side of the console.

When the CL3800 / CL3700 / CL3100 is in Firmware Upgrade Mode, the Num Lock, Caps Lock and Scroll Lock LEDs will continually flash on and off.

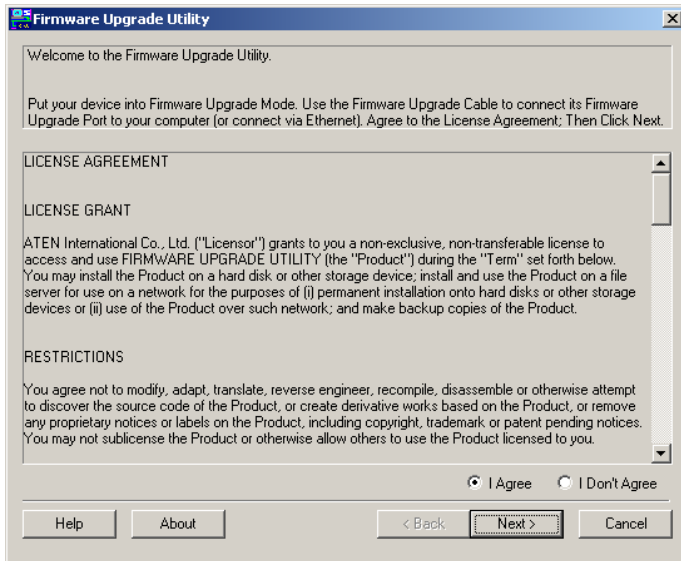
To exit the Firmware Upgrade Mode, see *Exiting Firmware Upgrade Mode*, page 43.

Performing the Upgrade

Starting the Upgrade:

1. With the CL3800 / CL3700 / CL3100 in Firmware Upgrade Mode, run the downloaded Firmware Upgrade Package file from your computer - either by double clicking the file icon, or by opening a command line and keying in the full path and filename.

The Firmware Upgrade Utility *Welcome* screen appears:

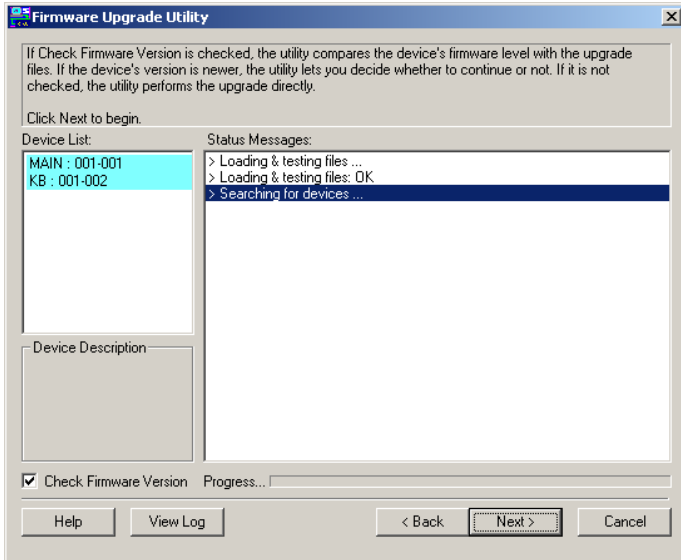


2. Read and *Agree* to the License Agreement (enable the I Agree radio button).

(Continues on next page.)

(Continued from previous page.)

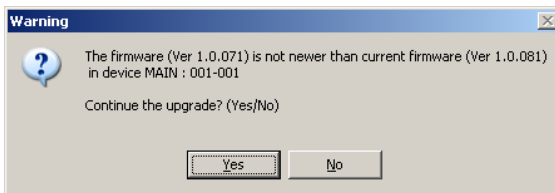
3. Click **Next**. The Firmware Upgrade Utility main screen appears:



The Utility inspects your installation. All the devices capable of being upgraded by the package are listed in the *Device List* panel.

4. Click **Next** to perform the upgrade.

- ◆ If you enabled *Check Firmware Version*, the Utility compares the device's firmware level with that of the upgrade files. If it finds that the device's version is higher than the upgrade version, it brings up a dialog box informing you of the situation and gives you the option to continue the upgrade:

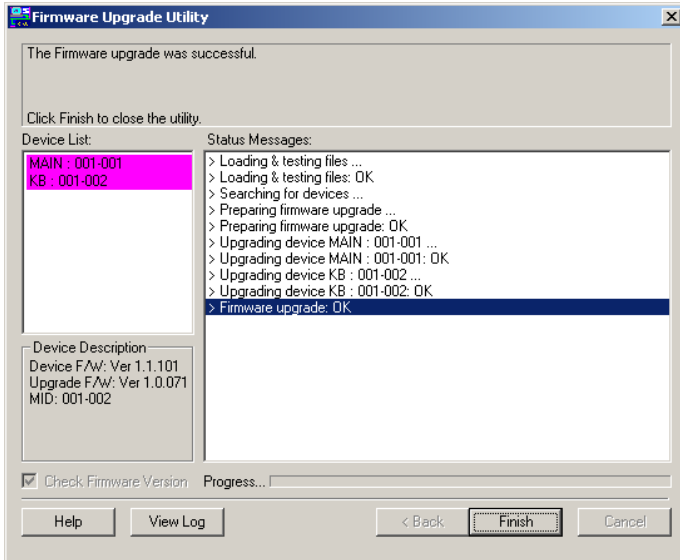


If you didn't enable *Check Firmware Version*, the Utility installs the upgrade files without checking whether they are a higher level, or not.

- ◆ As the Upgrade proceeds status messages appear in the Status Messages panel, and the progress toward completion is shown on the *Progress* bar.

Upgrade Succeeded:

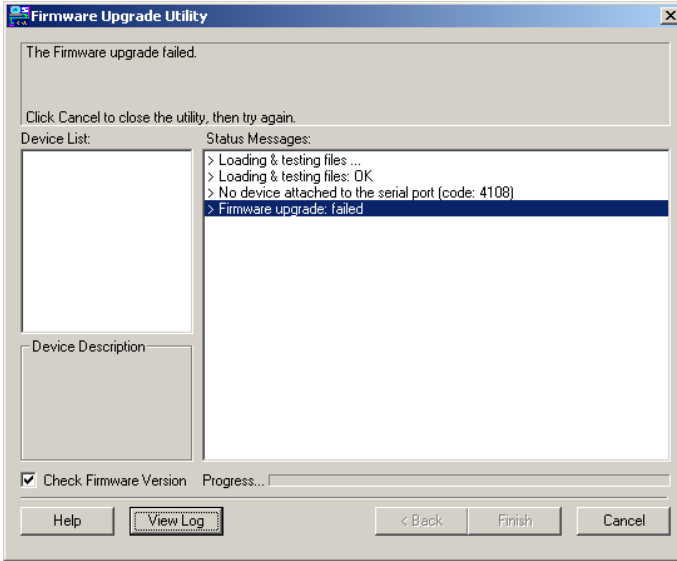
After the upgrade has completed, a screen appears to inform you that the procedure was successful:



Click **Finish** to close the Firmware Upgrade Utility.

Upgrade Failed:

If the upgrade failed to complete successfully the *Upgrade Failed* screen appears:



Click **Cancel** to close the Firmware Upgrade Utility. See the next section, *Firmware Upgrade Recovery*, for how to proceed.

Firmware Upgrade Recovery

There are three conditions that call for firmware upgrade recovery:

- ◆ When the unit's firmware becomes corrupted for some reason and you are unable to operate it.
- ◆ When a firmware upgrade procedure is interrupted.
- ◆ When a firmware upgrade procedure fails.

To perform a firmware upgrade recovery, do the following:

1. Power off the CL3800 / CL3700 / CL3100.
2. Connect the *Firmware Upgrade Cable* to its *Firmware Upgrade Port*.
3. Slide the *Firmware Upgrade Recovery Switch* to the **Recover** position.
4. Power the CL3800 / CL3700 / CL3100 back on and repeat the upgrade procedure.
5. After the CL3800 / CL3700 / CL3100 has been successfully upgraded, power it off, and slide the *Firmware Upgrade Recovery Switch* back to the **Normal** position.
6. Power the CL3800 / CL3700 / CL3100 back on.

Exiting Firmware Upgrade Mode

To exit the Firmware Upgrade Mode, do the following:

1. Slide the *Firmware Upgrade Recovery Switch* (see page 9) to the **Normal** position.
2. Power off and restart the CL3800 / CL3700 / CL3100 according to the instructions given in the *Powering Off and Restarting* section (see page 33).

This Page Intentionally Left Blank

Safety Instructions

General

- ◆ This product is for indoor use only.
- ◆ Read all of these instructions. Save them for future reference.
- ◆ Follow all warnings and instructions marked on the device.
- ◆ Do not place the device on any unstable surface (cart, stand, table, etc.). If the device falls, serious damage will result.
- ◆ Do not use the device near water.
- ◆ Do not place the device near, or over, radiators or heat registers.
- ◆ The device cabinet is provided with slots and openings to allow for adequate ventilation. To ensure reliable operation, and to protect against overheating, these openings must never be blocked or covered.
- ◆ The device should never be placed on a soft surface (bed, sofa, rug, etc.) as this will block its ventilation openings. Likewise, the device should not be placed in a built in enclosure unless adequate ventilation has been provided.
- ◆ Never spill liquid of any kind on the device.
- ◆ Unplug the device from the wall outlet before cleaning. Do not use liquid or aerosol cleaners. Use a damp cloth for cleaning.
- ◆ The device should be operated from the type of power source indicated on the marking label. If you are not sure of the type of power available, consult your dealer or local power company.
- ◆ The device is designed for IT power distribution systems with 230V phase-to-phase voltage.
- ◆ To prevent damage to your installation it is important that all devices are properly grounded.
- ◆ The device is equipped with a 3-wire grounding type plug. This is a safety feature. If you are unable to insert the plug into the outlet, contact your electrician to replace your obsolete outlet. Do not attempt to defeat the purpose of the grounding-type plug. Always follow your local/national wiring codes.
- ◆ Do not allow anything to rest on the power cord or cables. Route the power cord and cables so that they cannot be stepped on or tripped over.

- ◆ If an extension cord is used with this device make sure that the total of the ampere ratings of all products used on this cord does not exceed the extension cord ampere rating. Make sure that the total of all products plugged into the wall outlet does not exceed 15 amperes.
- ◆ To help protect your system from sudden, transient increases and decreases in electrical power, use a surge suppressor, line conditioner, or uninterruptible power supply (UPS).
- ◆ Position system cables and power cables carefully; Be sure that nothing rests on any cables.
- ◆ Never push objects of any kind into or through cabinet slots. They may touch dangerous voltage points or short out parts resulting in a risk of fire or electrical shock.
- ◆ Do not attempt to service the device yourself. Refer all servicing to qualified service personnel.
- ◆ If the following conditions occur, unplug the device from the wall outlet and bring it to qualified service personnel for repair.
 - ◆ The power cord or plug has become damaged or frayed.
 - ◆ Liquid has been spilled into the device.
 - ◆ The device has been exposed to rain or water.
 - ◆ The device has been dropped, or the cabinet has been damaged.
 - ◆ The device exhibits a distinct change in performance, indicating a need for service.
 - ◆ The device does not operate normally when the operating instructions are followed.
- ◆ Only adjust those controls that are covered in the operating instructions. Improper adjustment of other controls may result in damage that will require extensive work by a qualified technician to repair.
- ◆ Do not connect the Audio Jack connector marked “UPGRADE” to a public telecommunication network.
- ◆ Avoid circuit overloads. Before connecting equipment to a circuit, know the power supply’s limit and never exceed it. Always review the electrical specifications of a circuit to ensure that you are not creating a dangerous condition or that one doesn’t already exist. Circuit overloads can cause a fire and destroy equipment.

Rack Mounting

- ◆ Before working on the rack, make sure that the stabilizers are secured to the rack, extended to the floor, and that the full weight of the rack rests on the floor. Install front and side stabilizers on a single rack or front stabilizers for joined multiple racks before working on the rack.
- ◆ Always load the rack from the bottom up, and load the heaviest item in the rack first.
- ◆ Make sure that the rack is level and stable before extending a device from the rack.
- ◆ Use caution when pressing the device rail release latches and sliding a device into or out of a rack; the slide rails can pinch your fingers.
- ◆ After a device is inserted into the rack, carefully extend the rail into a locking position, and then slide the device into the rack.
- ◆ Do not overload the AC supply branch circuit that provides power to the rack. The total rack load should not exceed 80 percent of the branch circuit rating.
- ◆ Make sure that all equipment used on the rack – including power strips and other electrical connectors – is properly grounded.
- ◆ Ensure that proper airflow is provided to devices in the rack.
- ◆ Ensure that the operating ambient temperature of the rack environment does not exceed the maximum ambient temperature specified for the equipment by the manufacturer.
- ◆ Do not step on or stand on any device when servicing other devices in a rack.
- ◆ **Caution:** Slide/rail (LCD KVM) mounted equipment is not to be used as a shelf or a work space.



Technical Support

International

- ◆ For online technical support – including troubleshooting, documentation, and software updates: <http://support.aten.com>
- ◆ For telephone support, see *Telephone Support*, page iii.

North America

Email Support		support@aten-usa.com
Online Technical Support	Troubleshooting Documentation Software Updates	http://www.aten-usa.com/support
Telephone Support		1-888-999-ATEN ext 4988 1-949-428-1111

When you contact us, please have the following information ready beforehand:

- ◆ Product model number, serial number, and date of purchase.
- ◆ Your computer configuration, including operating system, revision level, expansion cards, and software.
- ◆ Any error messages displayed at the time the error occurred.
- ◆ The sequence of operations that led up to the error.
- ◆ Any other information you feel may be of help.

Specifications

CL3800NW / CL3800NX

Function	CL3800NW	CL3800NX
Computer Connections		
Direct		1
Console Selection		Hotkey
Connectors		
External Console Ports		1 x HDMI Female 1 x DVI-D Female (White) 1 x HDB-15 Female (Blue) 2 x USB Type A Female 1 x 3.5 mm Audio Jack Female (Green)
KVM Ports		1 x HDMI Female 1 x DVI-D Female (White) 1 x HDB-15 Male (Blue) 1 x USB Type B Female 1 x 3.5 mm Audio Jack Female (Green)
USB Port		1 x USB Type A Female
Firmware Upgrade		1 x 3.5 mm Audio Jack Female (Black)
Power		1 x 3-prong AC Socket
Switches		
Reset		1 x Semi-recessed Pushbutton
Firmware Upgrade		1 x Slide
Power		1 x Rocker
LCD Power		1 x Pushbutton
LCD Adjustment		4 x Pushbutton
LEDs		
Power		1 x KVM Console (Dark Green) 1 x LCD (Orange)
Lock		1 x Num Lock (Green) 1 x Caps Lock (Green) 1 x Scroll Lock (Green)
Video		
Input Video Resolution		1920 x 1200 @ 60 Hz
Panel Spec		
LCD Module		18.5" TFT-LCD

Function	CL3800NW	CL3800NX
Resolution	1920 x 1080 @ 60 Hz	1366 x 768 @ 60 Hz
Pixel Pitch	0.213 mm x 0.213 mm	0.3 mm x 0.3 mm
Response Time	20 ms	5 ms
Viewing Angle	178° (H), 178° (V)	170° (H), 160° (V)
Contrast Ratio	1000:1	1000:1
Support Color	16.7M colors	16.7M colors
Luminance	350 cd/m ²	250 cd/m ²
Emulation		
Keyboard / Mouse	USB	
Maximum Input Power Rating	100–240V AC; 50–60Hz; 1A	
Power Consumption	110V, 26.6W / 220V, 26.8W	110V, 18.3W / 220V, 17.8W
Environmental		
Operating Temperature	0–40° C	
Storage Temperature	-20–60° C	
Humidity	0–80% RH Non-condensing	
Physical Properties		
Housing	Metal + Plastic	
Weight	9.61 kg	9.79 kg
Dimensions (L x W x H)	48.06 x 51.42 x 4.28 cm	
Body Dimensions (L x W x H)	44.92 x 46.74 x 4.28 cm	

Note: 1. For some rack mount products, please note that the standard physical dimensions of WxDxH are expressed using a LxWxH format.

2. Body Dimensions exclude I/O ports, handles, and mounting brackets.

CL3700NW / CL3700NX

Function	CL3700NW	CL3700NX
Computer Connections		
Direct	1	
Console Selection	Hotkey	
Connectors		
External Console Ports	1 x HDMI Female 2 x USB Type A Female	
KVM Ports	1 x HDMI Female 1 x USB Type B Female	
USB Port	1 x USB Type A Female	
Firmware Upgrade	1 x 3.5 mm Audio Jack Female (Black)	
Power	1 x 3-prong AC Socket	
Switches		
Reset	1 x Semi-recessed Pushbutton	
Firmware Upgrade	1 x Slide	
Power	1 x Rocker	
LCD Power	1 x Pushbutton	
LCD Adjustment	4 x Pushbutton	
LEDs		
Power	1 x KVM Console (Dark Green) 1 x LCD (Orange)	
Lock	1 x Num Lock (Green) 1 x Caps Lock (Green) 1 x Scroll Lock (Green)	
Emulation		
Keyboard / Mouse	USB	
Video		
Input Video Resolution	1920 x 1200 @ 60 Hz	
Panel Spec		
LCD Module	18.5" TFT-LCD	
Resolution	1920 x 1080 @ 60 Hz	1366 x 768 @ 60 Hz
Pixel Pitch	0.213 mm x 0.213 mm	0.3 mm x 0.3 mm
Response Time	20 ms	5 ms
Viewing Angle	178° (H), 178° (V)	170° (H), 160° (V)

Function	CL3700NW	CL3700NX
Contrast Ratio	1000:1	1000:1
Support Color	16.7M colors	16.7M colors
Luminance	350 cd/m ²	250 cd/m ²
Maximum Input Power Rating	100–240 V AC, 50–60 Hz, 1 A	
Power Consumption	110V, 23.3W / 220V, 23.9W	110V, 13.6W / 220V, 13.5W
Environmental		
Operating Temperature	0–40° C	
Storage Temperature	-20–60° C	
Humidity	0–80% RH Non-condensing	
Physical Properties		
Housing	Metal + Plastic	
Weight	9.01 kg	9.03 kg
Dimensions (L x W x H)	48.06 x 47.70 x 4.28 cm	
Body Dimensions (L x W x H)	44.92 x 43.00 x 4.28 cm	

Note: 1. For some rack mount products, please note that the standard physical dimensions of WxDxH are expressed using a LxWxH format.

2. Body Dimensions exclude I/O ports, handles, and mounting brackets.

CL3100NX

Function	CL3100NX
Computer Connections	
Direct	1
Console Selection	Hotkey
Connectors	
External Console Ports	1 x HDB-15 Female (Blue) 2 x USB Type A Female 1 x 3.5 mm Audio Jack Female (Green)
KVM Ports	1 x SPHD Female (Yellow) 1 x 3.5 mm Audio Jack Female (Green)
USB Port	1 x USB Type A Female
Firmware Upgrade	1 x 3.5 mm Audio Jack Female (Black)
Power	1 x 3-prong AC Socket
Switches	
Reset	1 x Semi-recessed Pushbutton
Firmware Upgrade	1 x Slide
Power	1 x Rocker
LCD Power	1 x Pushbutton
LCD Adjustment	4 x Pushbutton
LEDs	
Power	1 x KVM Console (Dark Green) 1 x LCD (Orange)
Lock	1 x Num Lock (Green) 1 x Caps Lock (Green) 1 x Scroll Lock (Green)
Emulation	
Keyboard / Mouse	USB
Video	
Input Video Resolution	1920 x 1200 @ 60 Hz
Panel Spec	
LCD Module	18.5" TFT-LCD
Resolution	1366 x 768 @ 60 Hz
Pixel Pitch	0.3 mm x 0.3 mm
Response Time	5 ms

Function	CL3100NX
Viewing Angle	170° (H), 160° (V)
Contrast Ratio	1000:1
Support Color	16.7M colors
Luminance	250 cd/m ²
Maximum Input Power Rating	100–240 V AC, 50–60 Hz, 1 A
Power Consumption	110V, 13.8W / 220V, 14.1W
Environmental	
Operating Temperature	0–40° C
Storage Temperature	-20–60° C
Humidity	0–80% RH Non-condensing
Physical Properties	
Housing	Metal + Plastic
Weight	9.07 kg
Dimensions (L x W x H)	48.06 x 47.70 x 4.28 cm
Body Dimensions (L x W x H)	44.92 x 43.00 x 4.28 cm

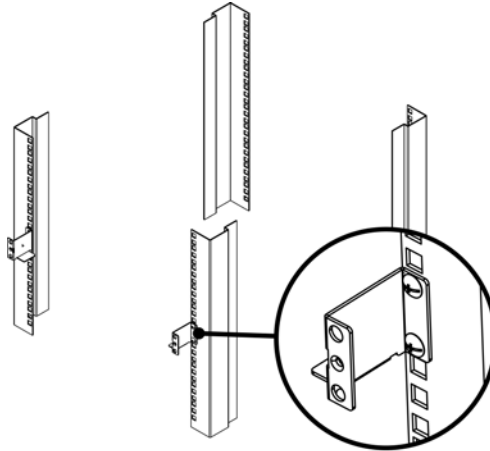
- Note:** 1. For some rack mount products, please note that the standard physical dimensions of WxDxH are expressed using a LxWxH format.
2. Body Dimensions exclude I/O ports, handles, and mounting brackets.

Optional Rack Mounting

Front-L Brackets Mounting (CL3800 only)

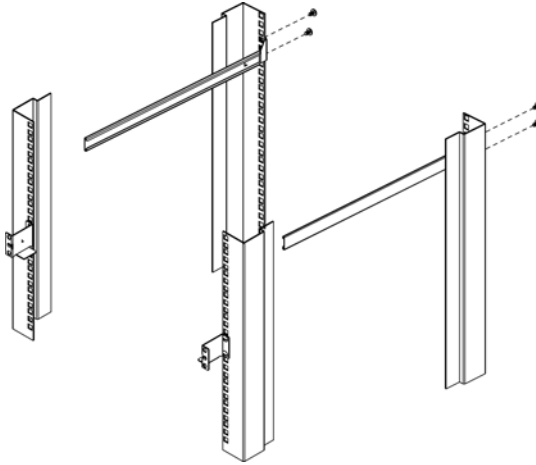
The CL3800 package includes two Front-L brackets for another mounting option for CL3800:

1. Attach the left and right Front-L brackets to the front of the rack, placing screws in the tabs to secure them in place.

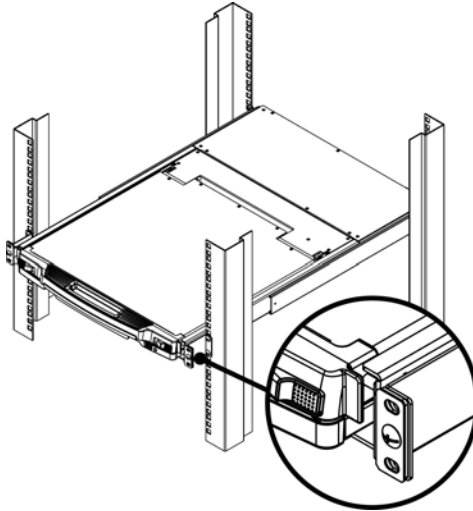


Note: Rack screws are not provided to mount the unit. We recommend that you use M5 x P0.8 screws.

2. Attach the left and right mounting brackets to the back of the rack, placing screws in the tabs to secure them in place.



3. Two people insert the CL3800, by sliding its left and right side bars into the mounting brackets. The mounting brackets and the Front-L brackets hold the weight of the CL3800 while you place screws in the front tabs to secure the CL3800 to the front of the rack.



Note: Allow at least 5.1 cm on each side for proper ventilation, and at least 12.7 cm at the back for the power cord and cable clearance.

Easy Installation Kit Mounting

Other than the standard mounting kit and the Front-L brackets mounting, two other rack mounting options are available for CL3800. These are shown in the following table:

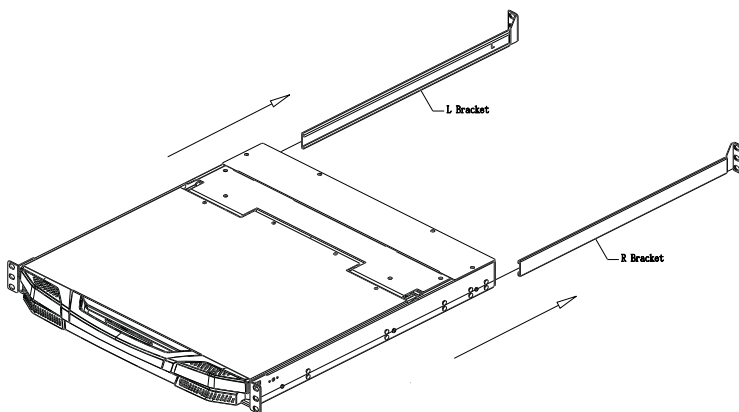
Bracket Type	Depth (cm)
Easy Installation – Short (2X-041G)	45.0—70.0
Easy Installation – Long (2X-042G)	68.0—105.0

Two optional rack mounting kits for the CL3700 and CL3100 are available as shown in the following table:

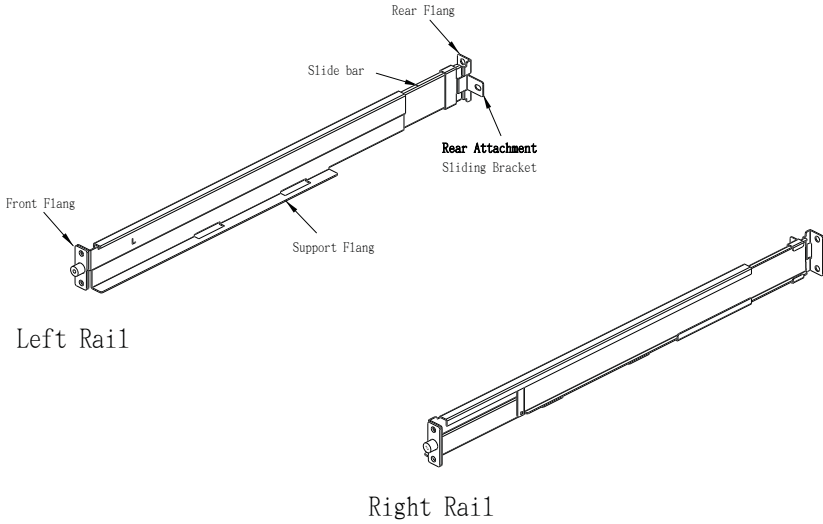
Bracket Type	Depth (cm)
Easy Installation – Short (2X-041G)	42.0—70.0
Easy Installation – Long (2X-042G)	68.0—105.0

While it takes two people to perform a standard installation, with an *Easy-Installation* kit, one person can mount the CL3800 / CL3700 / CL3100. To install the *Easy-Installation* kit, do the following:

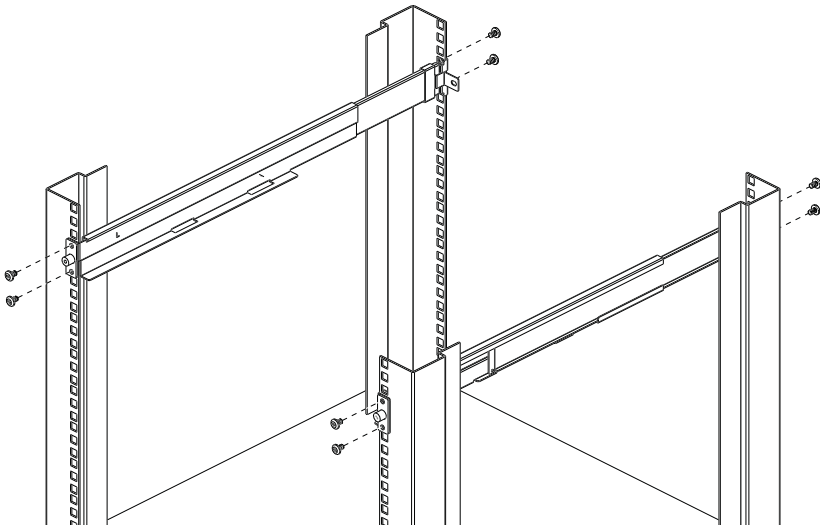
1. Remove the right and left standard sliding brackets from both sides of the CL3800 / CL3700 / CL3100.



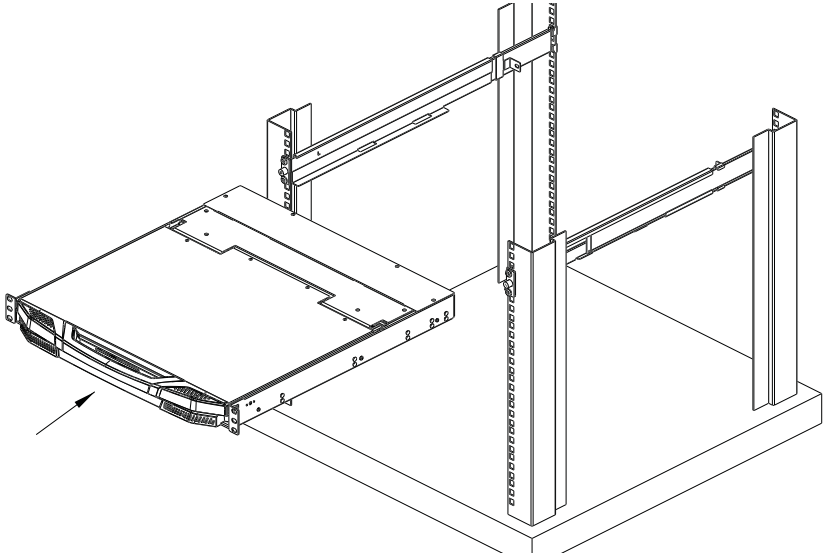
2. Attach the left and right *easy-installation* mounting rails to the inside of the rack. The flange that supports the CL3800 / CL3700 / CL3100 will be to the inside.



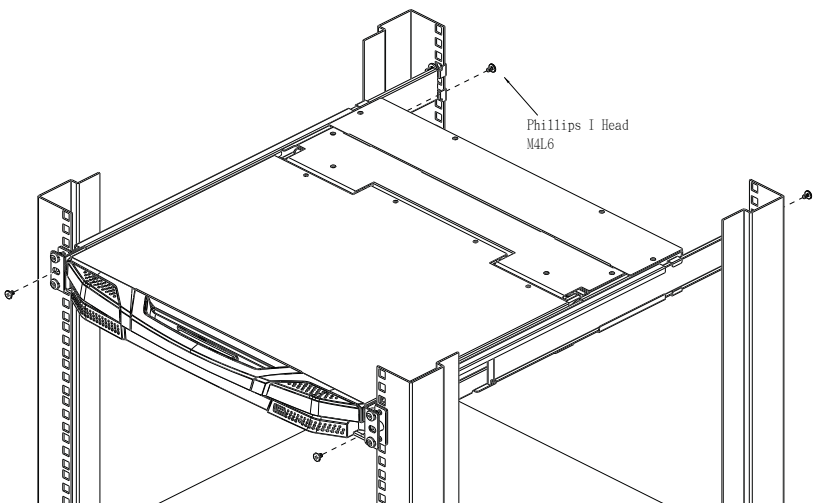
- a) Screw the front flanges to the rack first.
- b) Slide the bars with the rear flanges toward the rack until the flanges make contact with the rack, then screw the rear flanges to the rack.



- Slide the CL3800 / CL3700 / CL3100 onto the support flanges. Use the screws supplied with this package to loosely attach the front of the CL3800 / CL3700 / CL3100 to the front of the rack (only tighten the screws part way).





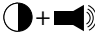




- Slide the rear attachment sliding brackets along the slide bars until they contact the rear of the CL3800 / CL3700 / CL3100, then use the screws supplied with this package to attach the bars to the rear of the CL3800 / CL3700 / CL3100 (tighten the screws all the way).



5. Slide the CL3800 / CL3700 / CL3100 open and closed a couple of times to be sure that it is properly aligned and operating smoothly. (See *Opening / Closing the Console*, page 25, for opening and closing procedures.)
6. After determining that the CL3800 / CL3700 / CL3100 is lined up and operating correctly, finish by fully tightening the front attachment screws inserted in Step 3.

Sun Keyboard Emulation









The PC compatible (101/104 key) keyboard can emulate the functions of the Sun keyboard when the Control key [Ctrl] is used in conjunction with other keys. The corresponding functions are shown in the table below.

PC Keyboard	Sun Keyboard
[Ctrl] [T]	Stop
[Ctrl] [F2]	Again
[Ctrl] [F3]	Props
[Ctrl] [F4]	Undo
[Ctrl] [F5]	Front
[Ctrl] [F6]	Copy
[Ctrl] [F7]	Open
[Ctrl] [F8]	Paste
[Ctrl] [F9]	Find
[Ctrl] [F10]	Cut
[Ctrl] [1]	
[Ctrl] [2]	
[Ctrl] [3]	
[Ctrl] [4]	
[Ctrl] [H]	Help
	Compose
	

Note: When using key combinations, press and release the first key (Ctrl), then press and release the activation key.

Mac Keyboard

The PC compatible (101/104 key) keyboard can emulate the functions of the Mac keyboard. The emulation mappings are listed in the table below.

PC Keyboard	Mac Keyboard
[Shift]	Shift
[Ctrl]	Ctrl
	
[Ctrl] [1]	
[Ctrl] [2]	
[Ctrl] [3]	
[Ctrl] [4]	
[Alt]	Alt
[Print Screen]	F13
[Scroll Lock]	F14
	=
[Enter]	Return
[Backspace]	Delete
[Insert]	Help
[Ctrl] 	F15

Note: When using key combinations, press and release the first key (Ctrl), then press and release the activation key.

Troubleshooting

Symptom	Action
There are ghost images on the external monitor.	The distance between the external console and the CL3800 is too great. The maximum DVI cable distance should not exceed 20 m and, in some cases, may need to be shorter. Replace the DVI cable with one of an appropriately short length.
Some characters I enter from the keyboard do not display correctly.	The keyboard layout setting for the port does not match the keyboard you are using. On your switch, change the keyboard layout setting for the port to match the layout of the keyboard you are using.
I can't use the special keys on the Sun external keyboard to control Sun computers.	Use Sun keyboard emulation keystrokes (page 61) to achieve all Sun keyboard functions.

Limited Warranty

ATEN warrants its hardware in the country of purchase against flaws in materials and workmanship for a Warranty Period of two [2] years (warranty period may vary in certain regions/countries) commencing on the date of original purchase. This warranty period includes the LCD panel of ATEN LCD KVM switches. Select products are warranted for an additional year (see *A+ Warranty* for further details). Cables and accessories are not covered by the Standard Warranty.

What is covered by the Limited Hardware Warranty

ATEN will provide a repair service, without charge, during the Warranty Period. If a product is defective, ATEN will, at its discretion, have the option to (1) repair said product with new or repaired components, or (2) replace the entire product with an identical product or with a similar product which fulfills the same function as the defective product. Replaced products assume the warranty of the original product for the remaining period or a period of 90 days, whichever is longer. When the products or components are replaced, the replacing articles shall become customer property and the replaced articles shall become the property of ATEN.

To learn more about our warranty policies, please visit our website:

<http://www.aten.com/global/en/legal/policies/warranty-policy/>

Index

A

- AC Power Models
Specifications, 47

C

- Connecting Up, 19, 21
- Console Selection, 32

F

- Features, 3
- Firmware upgrade
 - cable, 35
 - Mode, 36
 - recovery, 41
 - utility, 35

H

- Hot Plugging, 31

K

- Keyboard Emulation, 59
 - Mac, 60
- KL1100
 - Front View, 8, 11
 - Rear View (AC Power), 10

L

- LCD
 - Buttons, 29
 - OSD configuration, 29

O

- Online
 - Registration, iii
- Opening the Console, 23

- Operating Precautions, 28

P

- Port ID
 - Numbering & Selection, 31
- Powering Off, 31
- Precautions, 28

R

- Rack Mounting
 - Optional, 53
 - Standard, 17
- Reset Switch, 9, 12
- Restarting, 31
- RoHS, ii

S

- Safety Instructions
 - General, 43
 - Rack Mounting, 45
- Specifications, 47
 - AC Power Models, 47
- Sun Keyboard Emulation, 59
- System Requirements
 - Cables, 5
 - External Console, 5
 - LCD Console, 5
 - Operating Systems, 7

T

- Technical Support, 46
- Telephone support, iii
- Troubleshooting, 60

U

- User Notice, iv