



User Guide

ATEN Altusen™

KA7230 PS/2-USB Console Module User Guide
KA7240 Virtual Media PS/2-USB Console Module User Guide

© Copyright 2014 ATEN International Co., Ltd. www.aten.com
Altusen and the Altusen logo are trademarks of ATEN International Co., Ltd.
All rights reserved. All other trademarks are the property of their respective owners.

This product is RoHS compliant PAPE-1215-300G Printing Date: 11/2014



All information, documentation, firmware, software utilities, and specifications contained in this package are subject to change without prior notification by the manufacturer. Please visit our website <http://www.aten.com/download/?cid=dds> for the most up-to-date versions.

Online Registration

• <http://eservice.aten.com>

Technical Phone Support

International:

• 886-2-8692-6959

China:

• 86-10-5255-0110

Japan:

• 81-3-5615-5811

Korea:

• 82-2-467-6789

North America:

• 1-888-999-ATEN Ext: 4988

United Kingdom:

• 44-6-4481-58923



EMC Information

FEDERAL COMMUNICATIONS COMMISSION INTERFERENCE STATEMENT

This equipment has been tested and found to comply with the limits for a Class A digital device, pursuant to Part 15 of the FCC Rules. These limits are designed to provide reasonable protection against harmful interference when the equipment is operated in a commercial environment. This equipment generates, uses, and can radiate radio frequency energy and, if not installed and used in accordance with the instruction manual, may cause harmful interference to radio communications. Operation of this equipment in a residential area is likely to cause harmful interference in which case the user will be required to correct the interference at his own expense.

FCC Caution: Any changes or modifications not expressly approved by the party responsible for compliance could void the user's authority to operate this equipment.
CE Warning: This is a class A product. In a domestic environment this product may cause radio interference in which case the user may be required to take adequate measures.

Suggestion: Shielded twisted pair (STP) cables must be used with the unit to ensure compliance with FCC & CE standards.

The following contains information that relates to China:

部件名称	有毒有害物质或元素			
	铅	汞	镉	六价铬
电器部件	○	○	○	○
机构部件	○	○	○	○

○: 表示该有害物质在该部件所有均质材料中的含量均在SJ/T 11363-2006规定的限量要求之下。

●: 表示符合欧盟的豁免条款, 但有害物质至少在该部件的某一均质材料中的含量超出SJ/T 11363-2006的限量要求。

×: 表示该有害物质至少在该部件的某一均质材料中的含量超出SJ/T 11363-2006的限量要求。

1 Package Contents

This User Guide briefly describes how to install and operate the KA7230 / KA7240 Console Module with the Matrix KVM Switch

The complete KA7230 / KA7240 package consists of:

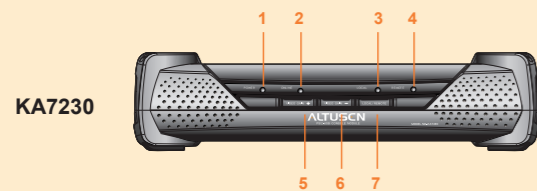
- 1 KA7230 or KA7240 Console Module with stacking brackets
- 1 Mounting Kit
- 1 KVM Cable
- 1 User Instructions
- 1 Power Adapter
- 1 RS-232 Cable (DB9F to DB9F)

If anything is missing or damaged, please contact your dealer immediately.

Important Notice

Considering environmental protection, ATEN does not provide a fully printed user manual for this product. If the information contained in the Quick Start Guide is not enough for you to configure and operate your product, please visit our website www.aten.com, and download the full user manual.

2-1 Hardware Review (Front View)

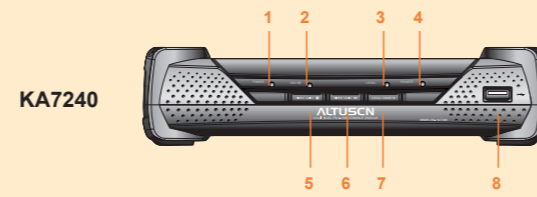


1. Power LED [Indicates the module is turned on and receiving power]
2. Online LED [Indicates connection to a KVM switch]
3. Local LED [Indicates Local Computer has the KVM focus]
4. Remote LED [Indicates KVM Switch has the KVM focus]
5. Video Gain + Switch [Press to increase the video gain]
6. Video Gain - Switch [Press to decrease the video gain]
7. Local / Remote Switch [Press to toggle the Local Computer/KVM Switch focus]

Note: Local Computer / KVM Switch focus may also be toggled using a keyboard hotkey combination as follows:

1. Press and hold [Num Lock]
2. Press and release the minus (-) key twice
3. Release [Num Lock]

2-2 Hardware Review (Front View)



1. Power LED [Indicates the module is turned on and receiving power]
2. Online LED [Indicates connection to a KVM switch]
3. Local LED [Indicates Local Computer has the KVM focus]
4. Remote LED [Indicates KVM Switch has the KVM focus]
5. Video Gain + Switch [Press to increase the video gain]
6. Video Gain - Switch [Press to decrease the video gain]
7. Local / Remote Switch [Press to toggle the Local Computer/KVM Switch focus]
8. USB Port [Virtual Media device plugs in here]

3 Hardware Review (Rear View)



1. Grounding Terminal
2. KVM Switch Connection Ports
3. RS-232 Port
4. Console PS/2 Mouse and Keyboard Ports
5. Power Jack
6. Local Computer KVM Port
7. Console Monitor Port
8. Console USB Mouse and Keyboard Ports
9. Firmware Recovery Switch



1. Grounding Terminal
2. Local Computer Microphone and Speaker Ports
3. KVM Switch Connection Ports
4. RS-232 Port
5. Console PS/2 Mouse and Keyboard Ports
6. Power Jack
7. Local Computer KVM Port
8. Console Monitor Port
9. Console USB Mouse and Keyboard Ports
10. Firmware Recovery Switch
11. Console Microphone and Speaker Ports

4 Requirements

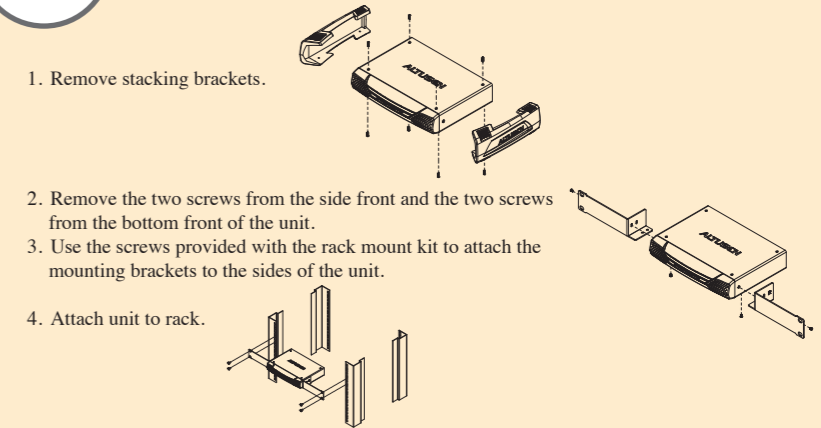
Console

- A monitor capable of the highest resolution that you will be using on any computer in the installation.
- A PS/2 or USB keyboard
- A PS/2 or USB mouse

Cables

- Cat 5e/6 to connect the KA7230 / KA7240 to the KVM switch
- For optimal signal integrity and to simplify the layout, a high quality KVM Console Module to Local Computer cable (with custom SPHD-15 connector) is included with this product. No additional cable purchase is necessary.
- RS-232 Cable (DB9F to DB9F) to connect the KA7230/KA7240's RS-232 port to the local PC.

5 Rack Mounting



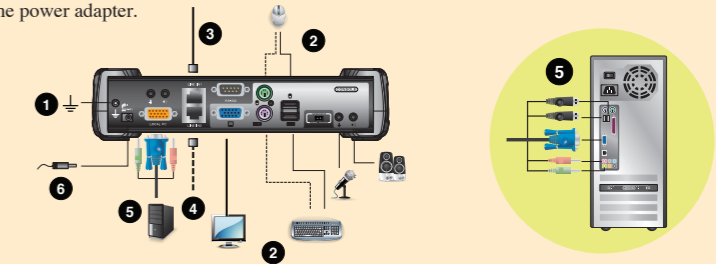
1. Remove stacking brackets.
2. Remove the two screws from the side front and the two screws from the bottom front of the unit.
3. Use the screws provided with the rack mount kit to attach the mounting brackets to the sides of the unit.
4. Attach unit to rack.

Before you begin, make sure that power to all the devices you will be connecting up has been turned off. You must unplug the power cords of any computer that has a Keyboard Power On function.

To set up your Console Module, refer to the installation diagram (the numbers in the diagram correspond to the steps below), and do the following:

Note: For KA7230 modules, disregard references to microphone and speaker installation.

1. Ground the unit by connecting one end of the grounding wire to the grounding terminal, and the other end of the wire to a suitable grounded object
2. Plug your Console devices (USB or PS/2 keyboard, USB or PS/2 mouse, monitor, microphone and speakers into the switch's Console Ports. Each Port is labeled and marked with an icon to indicate itself.
3. Use Cat 5e/6 cable to connect the upper KVM Switch Port (port 1) on the KA7230 / KA7240's rear panel to any available Console Port on the KVM switch's rear panel.
4. (Optional) For a redundant connection to the switch, use Cat 5e/6 cable to connect the lower KVM Switch Port (port 2) on the KA7230 / KA7240's rear panel to any available Console Port on the KVM switch's rear panel.
5. Use the KVM Cable provided with this package to connect the Local Computer KVM Port to the local computer.
6. Plug in the power adapter.



6 Specifications

Function	KA7230	KA7240
Computer Connections		1
Console Connections		1
Port Selection		GUI_Hotkey
Connectors	Console Ports	Keyboard: 1 x USB Type A Female (White); 1 x 6-pin Mini-DIN Female (Purple)
	Video	1 x HDB-15 Female (Blue)
	Mouse	1 x USB Type A Female (White); 1 x 6-pin Mini-DIN Female (Green)
	Local Computer KVM Port	1 x SPHD-17 Female (Yellow)
	USB virtual media 2.0 port	1 x USB Type A Female (White)
	KVM Switch Ports	2 x RJ-45 Female
	RS-232	1 x DB9 Male (Black)
	Audio	N/A
	Power	2 x Mini stereo jack Female (Green) 2 x Mini stereo jacks Female (Pink)
	Switches	Local/Remote
Video Gain Adjustment		1 x Pushbutton
F/W Upgrade		2 x Pushbutton
LEDs	Power	1 x Slide
	Online	1 (Blue)
	Local	1 (Green)
	Remote	1 (Orange)
Emulation	Keyboard/Mouse	PS/2; USB (PC, Sun, Mac)
Video		1280 x 1024 @ 60Hz (300m max.)
Scan Interval		1-240 sec.
Power Consumption	DC5.3V, 6.5W	DC5.3V, 10.12W
Environment	Operating Temp.	0-50°C
	Storage Temp.	-20-60°C
	Humidity	0-80% RH, Non-condensing
Physical Properties	Housing	Metal
	Weight	1.22kg
	Dimensions (L x W x H)	17.15 x 22.71 x 5.48 cm (including stacking bracket)