

# ALTUSCEN™

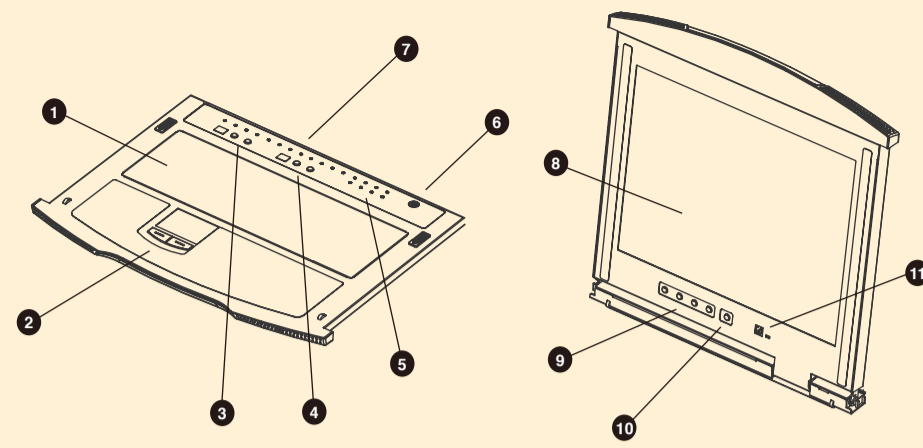
Enterprise KVM Solutions by ATEN

**Online Registration**  
International:  
• http://support.aten.com  
North America:  
• http://www.aten-usa.com/product\_registration

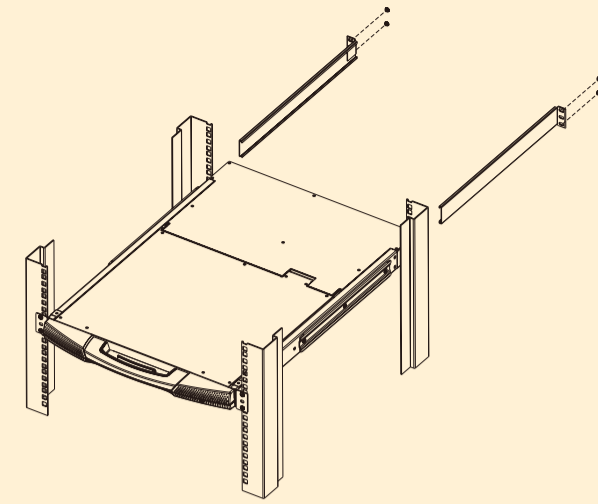
**Technical Phone Support**  
International:  
• 886-2-8652-6959  
China:  
• 86-10-5255-0110  
Japan:  
• 81-3-5323-7178  
Korea:  
• 82-2-487-6789  
North America:  
• 1-888-999-ATEN Ext: 4988  
United Kingdom:  
• 44-8-4481-58923

## KL1508/KL1516 Cat 5 High-Density Dual Rail LCD KVM Switch Quick Start Guide

© Copyright 2010 ATEN International Co., Ltd. www.aten.com  
All rights reserved. All other trademarks are the property of their respective owners.  
This product is RoHS compliant PAPE-1214-U000 Printing Date: 05/2010



- 1. Keyboard
- 2. Touchpad
- 3. Port Selection Area
- 4. Station Selection Area
- 5. Lock LEDs & Reset Switch
- 6. Extra PS/2 Mouse Port
- 7. Port LEDs
- 8. LCD Display
- 9. LCD Controls
- 10. LCD On/Off Button
- 11. Firmware Upgrade Section



3. After the L-brackets have been secured, tighten the front bracket screws.

## 1 Package Contents

### The KL1508 / KL1516 package consists of:

- 1 KL1508 or KL1516 Cat 5 High-Dual Rail LCD KVM Switch With Standard Rack Mount Kit
- 1 Firmware Upgrade Cable
- 1 Power Cord
- 1 User Manuals
- 1 Quick Start Guide

### Optional Equipment

Depending on any optional equipment that you may have purchased, one of the following may be included in your package:

- Standard Rack Mount Kit - Long
- Easy Installation Rack Mount Kit - Short
- Easy Installation Rack Mount Kit - Long

## 2 Requirements

### Computers

The following equipment must be installed on each computer:

- A VGA, SVGA or Multisync card.

**Note:** The integrated LCD monitor's maximum resolution is 1280 x 1024 @ 75Hz. Make sure that none of the computer's resolution settings exceed the LCD monitor's maximum resolution.

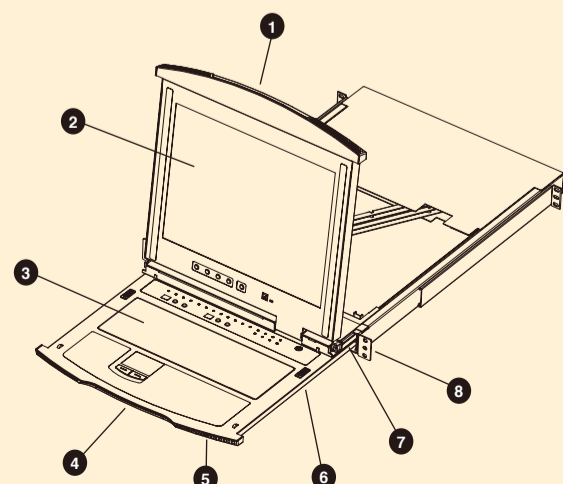
- Either a Type A USB port and USB host controller (for USB KVM Adapter Cable Connection), or 6-pin mini-DIN keyboard and mouse ports (for PS/2 KVM Adapter Cable Connection).

### Cables

- Cat 5 (or higher) cable is required to connect the KL1508 / KL1516 to one of the KVM Adapter Cables.
- The following KVM Adapter Cables are required for use with the KL1508 / KL1516:

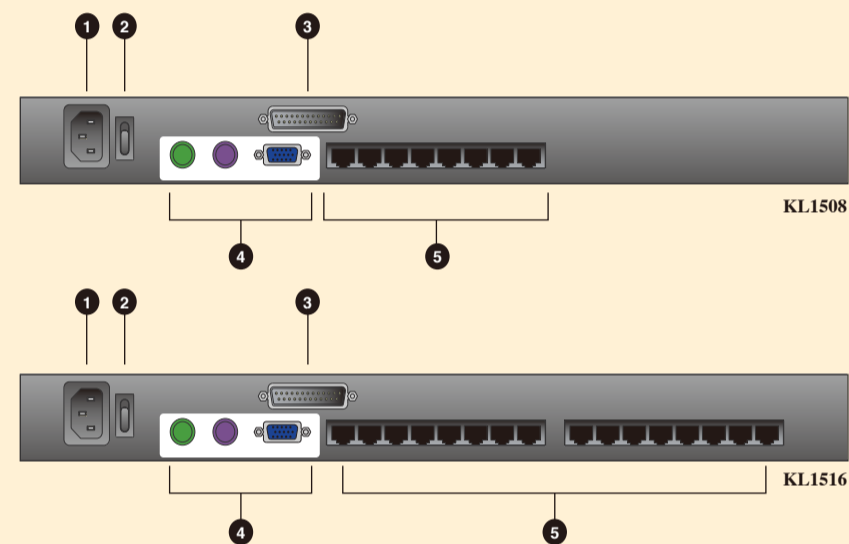
Function	Module
Connect to devices with PS/2 ports	KA9520
Connect to devices with USB ports	KA9570
Connect to Sun Legacy systems (with 13W3 port)	KA9130
Connect to Sun USB systems	KA9170
Connect to serial based devices	KA9140

## 3 KL1508 / KL1516 Front View



- 1. Upper Handle
- 2. LCD Module
- 3. Keyboard Module
- 4. Lower Handle
- 5. Power LED
- 6. Keyboard Release Catch
- 7. LCD Release Catch
- 8. Rack Mounting Tabs

## 4 KL1508 / KL1516 Rear View



- 1. Power Socket
- 2. Power Switch
- 3. Daisy Chain Port
- 4. Console Port Section
- 5. KVM Port Section

## 5-1 Hardware Installation 1

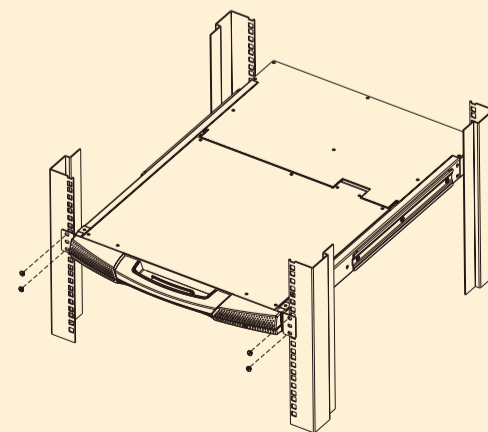
### Standard Rack Mounting

A standard rack mounting kit is provided with your KL1508 / KL1516. The kit enables the switch to be mounted in rack with a depth of 42-77 cm. The standard rack mounting kit does not include screws or cage nuts. If you need additional screws or cage nuts, contact your rack dealer.

### Note:

1. It takes two people to mount the switch: one to hold it in place; the other to screw it in.
2. Optional mounting kits - including single person Easy Installation kits - are available with a separate purchase.
3. The standard rack mounting kit does not include screws or cage nuts. If you need additional screws or cage nuts, contact your rack dealer.

1. While one person positions the switch in the rack and holds it in place, the second person loosely screws the front brackets to the rack.



2. While the first person still holds the switch in place, the second person slides the L brackets into the switch's side mounting brackets, from the rear until the bracket flanges contact the rack, then screws the L brackets to the rack.

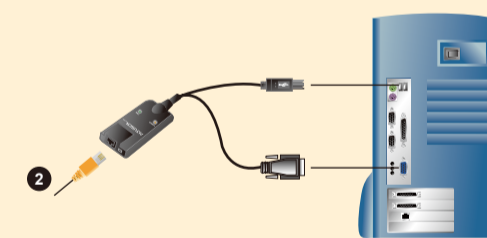
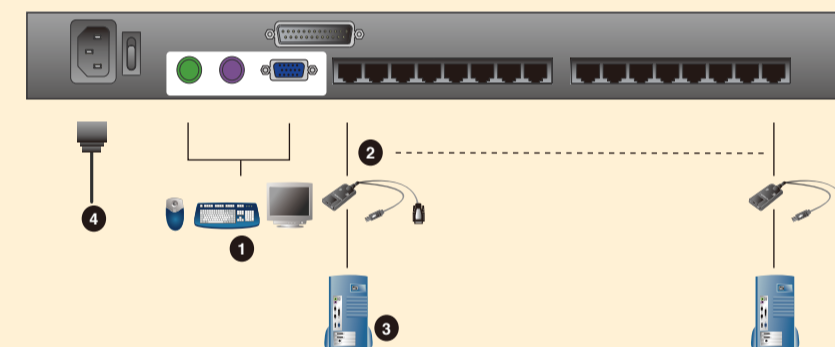
## 5-2 Hardware Installation 2

### Single Stage Installation

1. If you choose to install an external console, plug your keyboard, monitor, and mouse into the Console Ports located on the switch's rear panel. The ports are color coded and marked with an icon to identify themselves. (This Step is Optional)
2. For each of the computers you are installing, use Cat 5e cable to connect any available KVM port to a KVM adapter cable that is appropriate for the computer you are installing.

**Note:** The maximum supported distance to the adapter cable is 40 m.

3. Connect the KVM Adapter cable to the computer.
  4. Connect the power cord to the switch and to an AC power source.
- After you are all cabled up, you can power on the switch. After the switch is powered on, power on the computers.



## 6-1 Operation 1

**LCD OSD Configuration** - The LCD OSD allows you to set up and configure the LCD display. Four LCD buttons are used to perform the configuration.

**Hot Plugging** - The KL1508 / KL1516 supports hot plugging - components can be removed and added back into the installation by unplugging their cables from the ports without the need to shut the unit down.

**Powering Off and Restarting** - If it becomes necessary to Power Off one of the units, please shut down all the computers that are attached to it. And Wait 10 seconds, then plug the switch back in. After the Station is up, Power On the computers.

**Port ID Numbering** - Each computer port on a KL1508 / KL1516 installation is assigned a unique Port ID. The Port ID is made up of two parts: a Station Number, and a Port Number.

**Port Selection** - The KL1508 / KL1516 provides three port selection methods to access the computers on the installation: Manual, an OSD (On Screen Display) menu system, and Hotkeys.

### Manual Port Switching

Use the Station and Port selection switches on the keyboard module, to manually switch to a port.

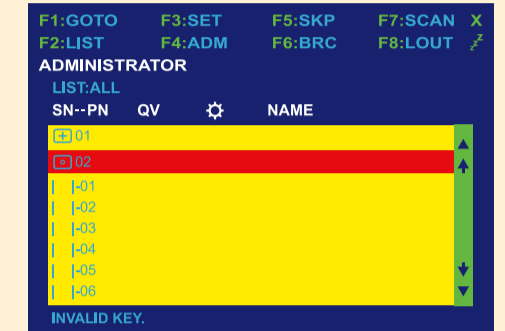
## 6-2 Operation 2

### OSD Operation

1. To invoke the OSD Main Menu, tap the OSD key, or tap the [Scroll Lock] key twice.
2. The OSD incorporates a two level (Administrator / User) password system. If this is the first time that the OSD is being run, or if the password function has not been set, simply press **Enter**.
3. The OSD Main Screen comes up in Administrator Mode. In this mode, you have administrator privileges, with access to all Administrator and User functions, and can set up operations, as you would like.
4. OSD Port Selection

• The OSD uses a tree view. To see the ports for a particular station, click the plus sign [ + ] in front of the Station Number. The Port Number list drops down. To dismiss the list, click the circle symbol [ o ] in front of the Station Number.

- To bring the KVM focus to a port, Double Click it, or move the Highlight Bar to it then press [Enter].



## 6-3 Operation 3

### Hotkey Operation

To invoke Hotkey Setting Mode (HSM), do the following:

1. Press and hold down the **Num Lock** key
2. Press and release the **Minus [-]** key
3. Release the **Num Lock** key

### Hotkey summary table:

After invoking Hotkey Setting Mode, key in one of the following keys to perform the corresponding function:

[Num Lock] + [-]	[Port ID] [Enter]	Switches access to the computer that corresponds to that Port ID.
[A]	[A]	Invokes Auto Scan Mode.
[P]	[P]	When in Auto Scan Mode, it pauses Auto Scanning.
[Esc]	[Esc]	Exits Auto Scan Mode.
[Spacebar]	[Spacebar]	Right-click
[H]	[H]	Changes the Hotkey Invocation keys from [Num Lock] + [-] to [Ctrl] + [F12] and vice versa.
[T]	[T]	Changes the OSD Hotkey from [Scroll Lock] [Scroll Lock] to [Ctrl] [Ctrl] and vice versa.
[F1]	[F1]	Sets the keyboard language layout of the port that has the KVM focus to Windows.
[F2]	[F2]	Sets the keyboard language layout of the port that has the KVM focus to Mac.
[F3]	[F3]	Sets the keyboard language layout of the port that has the KVM focus to Sun.
[R] [Enter]	[R] [Enter]	Resets the switch to the default settings.
[B]	[B]	Toggles the Beeper On or Off.

## 7 Specifications

Function		KL1508	KL1516
Computer Connections	Direct	8	16
	Max.	256 (via Daisy Chain)	512 (via Daisy Chain)
Port Selection		OSD, Hotkey, Pushbutton	
Connectors	External Console	1 x 6-pin Mini-DIN Female (Purple)	
	Video Ports	1 x HD15 Female (Blue)	
	KVM Ports	1 x 6-pin Mini-DIN Female (Green)	
		8 x RJ-45 Female (Black) [16 x RJ-45 Female (Black)]	
Daisy Chain Ports	F/W Upgrade	1 x DB-25 Male (Black)	
		1 x RJ-11 Female (Black)	
Power		1 x 3-prong AC Socket	
External Mouse		1 x 6-pin Mini-DIN Female (Green)	
Reset		1 x Semi-recessed Pushbutton	
Switches	Port Selection	2 x Pushbutton (Station)	
		2 x Pushbutton (Port)	
	Power	1 x Rocker	
	F/W Upgrade	1 x Slide	
LEDs	LCD Power	1 x Pushbutton	
	LCD Adjustment	4 x Pushbutton	
	On Line	8 (Green)	16 (Green)
	Selected	Station ID	2 x 7-segment (Orange)
Emulation	Keyboard/Mouse	PS/2; USB(PC, Mac, Sun); Serial	
	17" LCD	1280 x 1024@75Hz	
	19" LCD	1280 x 1024@75Hz	
	Scan Interval	1-255 Seconds	
I/P Rating		100-240V AC; 50/60 Hz; 1A	
Power Consumption	17" LCD	120V/ 28W; 230V/ 28W	
	19" LCD	120V/ 30W; 230V/ 30W	
	Operating Temp.	0-40°C	
Environment	Storage Temp.	-20-60°C	
	Humidity	0-80% RH, Non-condensing	
Physical Properties	Housing	Metal	
	Weight	17" LCD	17.30 kg
		19" LCD	18.50 kg
	Dimensions (L x W x H)	17" LCD	70.90 x 48.20 x 4.40 cm (19"/1U)
	19" LCD	76.00 x 48.20 x 4.40 cm (19"/1U)	