



**eco PDU PE Series
PE7216 / PE7324 / PE8216 / PE8324**

**Power Distribution Unit
User Manual**

FCC, CE Information

FEDERAL COMMUNICATIONS COMMISSION INTERFERENCE STATEMENT: This equipment has been tested and found to comply with the limits for a Class A digital device, pursuant to Part 15 of the FCC Rules. These limits are designed to provide reasonable protection against harmful interference when the equipment is operated in a commercial environment. This equipment generates, uses, and can radiate radio frequency energy and, if not installed and used in accordance with the instruction manual, may cause harmful interference to radio communications. Operation of this equipment in a residential area is likely to cause harmful interference in which case the user will be required to correct the interference at his own expense.

FCC Caution: Any changes or modifications not expressly approved by the party responsible for compliance could void the user's authority to operate this equipment.

CE Warning: This is a class A product. In a domestic environment this product may cause radio interference in which case the user may be required to take adequate measures.

NOTE: The KJ and J model series do not meet or qualify for FCC or CE certification, as they are produced for countries outside the FCC's jurisdiction.

RoHS

This product is RoHS compliant.

SJ/T 11364-2006

The following contains information that relates to China.

部件名称	有毒有害物质或元素					
	铅	汞	镉	六价铬	多溴联苯	多溴二苯醚
电器部件	●	○	○	○	○	○
机构部件	○	○	○	○	○	○

- : 表示该有毒有害物质在该部件所有均质材料中的含量均在SJ/T 11363-2006规定的限量要求之下。
- : 表示符合欧盟的豁免条款, 但该有毒有害物质至少在该部件的某一均质材料中的含量超出SJ/T 11363-2006的限量要求。
- ×: 表示该有毒有害物质至少在该部件的某一均质材料中的含量超出SJ/T 11363-2006的限量要求。



User Information

Online Registration

Be sure to register your product at our online support center:

International	http://eservice.aten.com
---------------	---

Telephone Support

For telephone support, call this number:

International	886-2-8692-6959
China	86-10-5255-0110
Japan	81-3-5615-5811
Korea	82-2-467-6789
North America	1-888-999-ATEN ext 4988
United Kingdom	44-8-4481-58923

User Notice

All information, documentation, and specifications contained in this manual are subject to change without prior notification by the manufacturer. The manufacturer makes no representations or warranties, either expressed or implied, with respect to the contents hereof and specifically disclaims any warranties as to merchantability or fitness for any particular purpose. Any of the manufacturer's software described in this manual is sold or licensed *as is*. Should the programs prove defective following their purchase, the buyer (and not the manufacturer, its distributor, or its dealer), assumes the entire cost of all necessary servicing, repair and any incidental or consequential damages resulting from any defect in the software.

The manufacturer of this system is not responsible for any radio and/or TV interference caused by unauthorized modifications to this device. It is the responsibility of the user to correct such interference.

The manufacturer is not responsible for any damage incurred in the operation of this system if the correct operational voltage setting was not selected prior to operation. PLEASE VERIFY THAT THE VOLTAGE SETTING IS CORRECT BEFORE USE.

If any bodily injury or property damage with respect to operation of the product results from users not having installed the product in accordance with the instructions provided in the product's user manual, or the product is used in an environment with a current load over the designed specifications of the product, ATEN is not liable for any loss or damage.

PE Device Safety Notice



- ◆ Set the maximum permissible breaker protection in the building circuitry to the current rating specified on the rating plate. Observe all national regulations and safety codes as well as deviations for breakers.
- ◆ Only connect the PE Device to a grounded power outlet or a grounded system!
- ◆ Make sure that the total current input of the connected systems does not exceed the current rating specified on the rating plate of the PE Device.
- ◆ There is a risk of explosion if the battery is replaced with an incorrect type. Dispose of used batteries according to the relevant instructions.

Package Contents

The eco PDU PE Series package consists of:

- 1 PE7216 / PE7324 / PE8216 / PE8324 Power Distribution Unit
- 1 Power Cord (16-port models only)
- 1 Mounting Kit
- 1 CD-ROM
- 1 User Instructions*

Check to make sure that all of the components are present and in good order. If anything is missing, or was damaged in shipping, contact your dealer.

Read this manual thoroughly and follow the installation and operation procedures carefully to prevent any damage to the switch or to any other devices on the eco PDU installation.

* Features may have been added to the eco PDU since this manual was published. Please visit our website to download the most up-to-date version.

Copyright © 2015 ATEN® International Co., Ltd.

Manual Date: 2015-11-16

NRGence and the NRGence logo are registered trademarks of ATEN International Co., Ltd. All rights reserved.
All other brand names and trademarks are the registered property of their respective owners.

Contents

FCC, CE Information	ii
SJ/T 11364-2006	ii
User Information	iii
Online Registration	iii
Telephone Support	iii
User Notice	iii
PE Device Safety Notice	iv
Package Contents	v
Conventions	ix
Product Information	x

Chapter 1.

Introduction

Overview	1
Comparison Chart	3
Features	4
Power Distribution	4
Remote Access	4
Operation	4
Management	5
Security	5
eco Sensors Energy Management Software*	5
Proactive Overload Protection (POP)	6
Requirements	7
Optional Accessories	8
Environment Sensors	8
Door Sensor	8
Cable Holders	9
Components	10
PE7216 / PE8216	10
PE7324 / PE8324	12
Port and LED Panel (All models)	14

Chapter 2.

Hardware Setup

Before You Begin	16
Rack Mounting	16
PDU Placement	17
Installation	18
Installation Diagram	19
Securing the Cables	20
Securing the Sensors	21

Chapter 3.**Basic Operation and****First Time Setup**

Operation Methods	22
Browser	22
eco Sensors	22
SNMP	22
First Time Setup	23
Network Configuration	24
Changing the Administrator Login	25
Moving On	25

Chapter 4.**Logging In**

Logging In	26
The eco PDU Main Page	27
Page Components	28

Chapter 5.**Energy**

Energy	29
Connections	29
Configuration	33

Chapter 6.**User Management**

Overview	36
Administrator Information	36
User Information	37

Chapter 7.**Log**

Log	38
The System Log Event List	39

Chapter 8.**Setup**

Device Management	40
Device Configuration	40
Date/Time	47
Security	49
Login Failures	49
Working Mode	49
Account Policy	50
Login String / IP Filter / Mac Filter	51
Authentication & Authorization	54

Private Certificate 56

Chapter 9.

PDU


PDU 57
 Firmware File 57
 Backup 60
 Restore 60

Appendix

Safety Instructions 61
 General 61
 Rack Mounting 63
 The eco PDU's Main Power Cord 63
 Securing the Power Cables 63
Resetting the Circuit Breaker 64
 Recovery Procedure: 64
Technical Support 65
 International 65
 North America 65
IP Address Determination 66
Specifications 68
 PE7216B / PE8216B 69
 PE7216G / PE8216G 70
 PE7324B/J / PE8324B/J 71
 PE7324G / PE8324G 72
Administrator Login Failure 73
Limited Warranty 74

Conventions

This manual uses the following conventions:

- | | |
|---|--|
| Monospaced | Indicates text that you should key in. |
| [] | Indicates keys you should press. For example, [Enter] means to press the Enter key. If keys need to be chorded, they appear together in the same bracket with a plus sign between them: [Ctrl+Alt]. |
| 1. | Numbered lists represent procedures with sequential steps. |
| ◆ | Bullet lists provide information, but do not involve sequential steps. |
| → | Indicates selecting the option (on a menu or dialog box, for example), that comes next. For example, Start → Run means to open the <i>Start</i> menu, and then select <i>Run</i> . |
|  | Indicates critical information. |

Product Information

For information about all NRGence products and how they can help you save money in the data center, visit NRGence on the Web or contact an ATEN Authorized Reseller. Visit ATEN on the Web for a list of locations and telephone numbers

- ◆ International – <http://www.aten.com>
- ◆ North America – <http://www.aten-usa.com>

Chapter 1

Introduction

Overview

As part of its NRGence line, ATEN has developed a new generation of green energy power distribution units (eco PDUs) to effectively increase the efficiency of data center power usage. The NRGence PE7216 / PE7324 / PE8216 / PE8324 eco PDUs are intelligent PDUs that contain 16 or 24 AC outlets and are available in various IEC socket configurations. Models in the advanced PE8 range feature NRGence's proactive overload protection, which automatically powers off the last outlet that caused the current overload.

NRGence eco PDUs provide secure, centralized, intelligent, power management (power on, off, cycle) of data center IT equipment (servers, storage systems, KVM switches, network devices, serial data devices, etc.), as well as the ability to monitor the center's health environment via sensors*. The basic characteristics of each model are shown in the table on page 3.

NRGence eco PDUs offer remote power control combined with real-time power measurement – allowing you to control and monitor the power status of devices attached to the PDUs, either at the PDU device, bank, or outlet level, depending on the model, from practically any location via a TCP/IP connection*.

The power status of each outlet can be set individually, allowing users to switch each device On/Off. The eco PDU also offers comprehensive power analysis reports which can separate departments and locations, providing precise measurements of current, voltage, power and watt-hour in a real-time display.

Installation and operation is fast and easy: plugging cables into their appropriate ports and user-friendly browser-based configuration and management is all that is entailed. Since the eco PDU firmware is upgradeable over the Net, you can stay current with the latest functionality improvements simply by downloading updates from our website as they become available.

NRGence eco PDU supports any 3rd party V3 SNMP Manager Software and NRGence eco Sensors (eco PDU Manager Software). eco Sensors provides you with an easy method for managing multiple devices, offering an intuitive and user-friendly Graphical User Interface that allows you to configure a PDU device and monitor power status of the equipment connected to it.

With its advanced security features and ease of operation, the eco PDU is the most convenient, most reliable, and most cost effective way to remotely manage power access for multiple computer installations and allocate power resources in the most efficient way possible.

-
- Note:** 1. Sensors are optional accessories. A sensor-enabled installation is required to generate a more complete energy-efficient data and chart. Higher sensor installation density is helpful to generate more accurate data. See *Optional Accessories*, page 8, for further information.
2. eco PDUs are primarily designed for access via Intranet; extra network security protection is suggested for Internet access usage.
3. Not all models support all features. See *Comparison Chart*, page 3, and *Specifications*, page 68, for full details.
-

Comparison Chart

Model	Inlet / Cord	Outlets		Metering Level	Outlet Switching
PE7216B	NEMA 6-20P	16	14 x IEC 320 C13 + 2 x IEC 320 C19	PDU / 1 x Bank / Outlet	No
PE8216B					Yes 16/16
PE7216G	IEC 60320 C20				No
PE8216G					Yes 16/16
PE7324B / J	NEMA L6-30P	24	21 x IEC 320 C13 + 3 x IEC 320 C19	PDU / 2 x Bank / Outlet	No
PE8324B / J					Yes 24/24
PE7324G	IEC 60309 32A				No
PE8324G					Yes 24/24

Note: For the complete specifications of individual models, including bank-by-bank outlet details, please reference *Specifications*, page 68.

Features

Power Distribution

- ◆ Space saving 0U rack mount design with rear mounting
- ◆ Various IEC outlet models
- ◆ 2 digit 7-segment front panel LED shows PDU/Phase / Bank / Outlet ID
- ◆ 3 digit 7-segment front panel LED shows Current / Voltage / Power Dissipation, IP address, and readings from up to 4 environment sensors
- ◆ Safe shutdown support
- ◆ Separate power for the unit's own power and its power outlets – the user interface is still accessible even when an overload condition trips the devices' circuit breaker
- ◆ Proactive overload protection (POP) (PE8 models only) – automatically powers off the last outlet that caused the current overload (see *Proactive Overload Protection (POP)*, page 6)

Remote Access

- ◆ Remote power control via TCP/IP and a built in 10/100 Ethernet port
- ◆ Network Protocols: TCP/IP, UDP, HTTP, HTTPS, SSL, SMTP, DHCP, NTP, DNS, auto sense, Ping
- ◆ Remote users can monitor outlet status via web pages on their browsers
- ◆ eco PDU Power Management software – eco Sensors
- ◆ Supports SNMP Manager V3

Operation

- ◆ Local and Remote power outlet control (On, Off, Power Cycle) by individual outlets (PE8 models)
- ◆ Supports multiple power control methods – Wake on LAN, System after AC Back, Kill the Power
- ◆ Power-on sequencing – set the power on sequence and delay time for each outlet to allow equipment to be powered on in the correct order
- ◆ Easy setup and operation via a browser-based user interface
- ◆ Multibrowser support (IE, Mozilla, Firefox, Chrome, Safari, Opera)
- ◆ RTC support to keep the timer running during times of no power
- ◆ Up to 8 user accounts and 1 administrator account

Management

- ◆ Power metering and monitoring at the PDU / Bank / Outlet level
- ◆ LED indicators for current, voltage, power dissipation at the PDU / Bank / Outlet levels
- ◆ Real-time aggregate current, voltage, and power and power dissipation displayed in a browser-based UI for monitoring at the PDU, bank and outlet level (16-port models offer 1 bank metering; 24-port models offer 2 bank metering)
- ◆ Alert notification for selected events (On, Off, Recycle, Failure, exceeding threshold settings, etc.), via blinking LEDs (locally), SMTP, SNMP trap notification
- ◆ Supports Management Information Base (MIB) files for SNMP
- ◆ Environment monitoring – supports external temperature / humidity / differential pressure sensors for rack environment monitoring
- ◆ Door Sensor support – allows the monitoring of rackmount enclosure door access to notify users when a door has been opened.
- ◆ Current and voltage threshold setting
- ◆ Naming support for outlets
- ◆ User outlet access assignment on an outlet-by-outlet basis
- ◆ Event logging and syslog support
- ◆ Upgradeable firmware
- ◆ Multilanguage support – English, Traditional Chinese, Simplified Chinese, Japanese, German, Italian, Spanish, French, Russian, Korean, Portuguese

Security

- ◆ Two-level password security
- ◆ Strong security features include strong password protection and advanced encryption technologies – 128 bit SSL
- ◆ Remote authentication support: RADIUS

eco Sensors Energy Management Software*

- ◆ Automatic discovery of all PE devices within the same intranet
- ◆ Remote real-time power measurement and monitoring
- ◆ Real-time environment sensor monitoring

- ◆ Plotting/monitoring of all PE devices
- ◆ Exceed threshold alert through SMTP and System log
- ◆ Power Analysis report

Note: eco Sensors is designed to work with NRGence PDUs and is bundled with all PE series packages.

Proactive Overload Protection (POP)

The PE8216 and PE8324 models feature NRGence's exclusive Proactive Overload Protection (POP) technology. Effective on all non-critical outlets, this added safety feature automatically powers off the last outlet that caused the current overload.

POP mode is engaged when the current exceeds the set threshold maximum value, powering off the outlet. The LED display shows POP and a beeper sounds. Press any button for two seconds to clear POP mode and power the outlet back on.

Requirements

- ◆ Browsers accessing the eco PDU unit must support SSL 128 bit encryption.
- ◆ For cold booting of attached computers, the computer's BIOS must support *Wake on LAN* or *System after AC Back*.
- ◆ For Safe Shutdown:
 - ◆ The computer must be running Windows (2000 or higher) or Linux.
 - ◆ The *Safe Shutdown* program (available by download from our website or on the software CD included), must be installed and running on the computer.

Optional Accessories

Environment Sensors

For complete energy management of an instrumented data center with the use of the eco PDU and eco Sensors software, you should install 4 sensors for each of the racks in your data center in order to generate a complete energy-efficient data chart. Higher sensor installation density is helpful to generate more accurate data. 8/16-port models have 4 sensor ports. Higher sensor installation density is helpful to generate more accurate data.

To get the most complete eco Sensors Dashboard data, the recommended 4-sensor setup is show in the table, below:

Port	Location	Part Number	Sensor
Sensor 1	Intake	EA1140 or EA1240	Temperature or Temperature / Humidity
Sensor 2	Intake		
Sensor 3	Exhaust		
Sensor 4	Exhaust	EA1340	Differential Pressure
	or Floor		

Door Sensor

All models in the PE7xxx/PE8xxx/PE9xxx range feature a 4-pin dry contact port for door sensors that supports the monitoring of rackmount enclosure door access to notify users when a door has been opened.

See the table below for information about the two available door sensors. Please contact your ATEN dealer for purchasing information:

Port	Part Number	Sensor
Door Sensor	EA1440	Photo Sensor
	EA1441	Inductive Proximity Sensor

Sensor Management

Sensors can be managed via the eco PDU's built-in graphical user interface (GUI) or with the NRGence eco Sensors software that can be downloaded from the ATEN website. The download link can be found on the software CD provided with the eco PDU package.

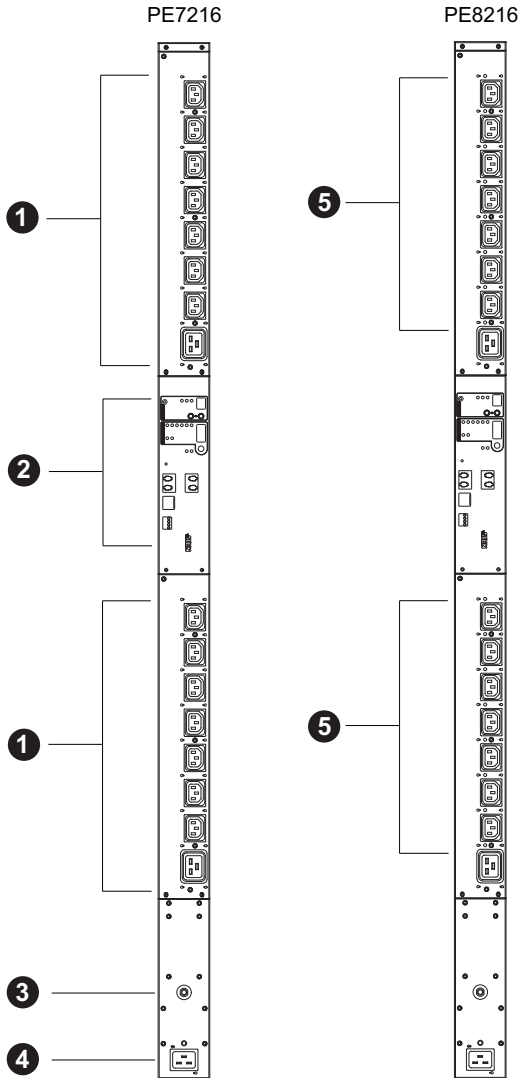
Cable Holders

Cable holders are optional accessories. For added safety, use ATEN Lok-U-Plug cable holders to secure the cables from your attached devices in place on the eco PDU unit. Use only the ATEN Lok-U-Plug cable holders that have been specifically designed to work with the eco PDU. Using any other kind of cable securing device could be highly dangerous.

Part Number	Description
2X-EA07	Lok-U-Plug Cable Holder (10 pcs)
2X-EA08	Lok-U-Plug Installation Tool (4 pcs)

Components

PE7216 / PE8216

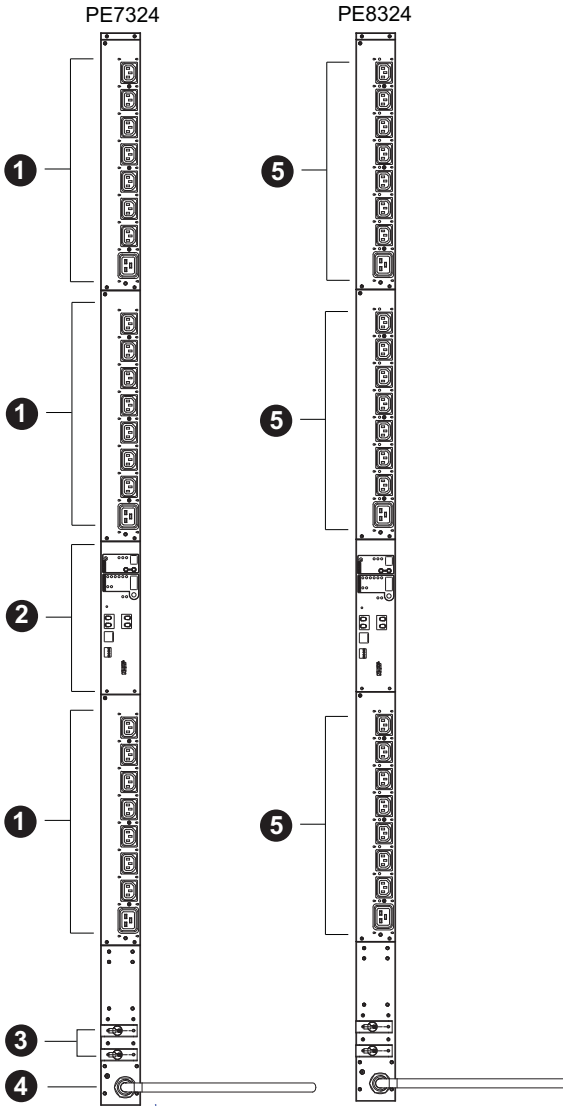


Note: The PE7216 / PE8216 unit components are identical except for the outlet LEDs – the PE7216 has none; and the PE8216 has 16, as shown by number 5 above.

No.	Item	Description
1	Power Outlets*	16 in total (14 x IEC 320 C13 + 2 x IEC 320 C19) Bank 1-1: Outlet 1–8: 7 C13; 1 x C19 Bank 1-2: Outlet 9–16: 7 x C13; 1 x C19
2	Port and LED Panel	The Port and LED panel contains: <ul style="list-style-type: none"> ◆ Readout Section and LEDs ◆ Environmental Sensor Ports ◆ LAN Port ◆ Door Sensor Port ◆ Reset Switch Full details of this section are provided on page 14.
3	Circuit Breaker Pushbutton	As a safety measure, if there is an overcurrent situation regarding the device's power, the circuit breakers will trip. Press the button to recover normal operation. Warning: See <i>Resetting the Circuit Breaker</i> , page 64 for important information about resetting a tripped circuit breaker.
4	Power Inlet	The power cord that connects the unit to an AC power source plugs into this socket. <ul style="list-style-type: none"> ◆ B models connect to a NEMA 6-20P source ◆ G models connect to an IEC 60320 C20 source
5	Outlet Status LEDs	PE8216 (x 16) only. These LEDs indicate outlet status. Lights ORANGE for powered on. Off for powered off.

Note: Holes for ATEN Lok-U-Plug cable holders are located around the outlets. See *Securing the Cables*, page 20, for further information.

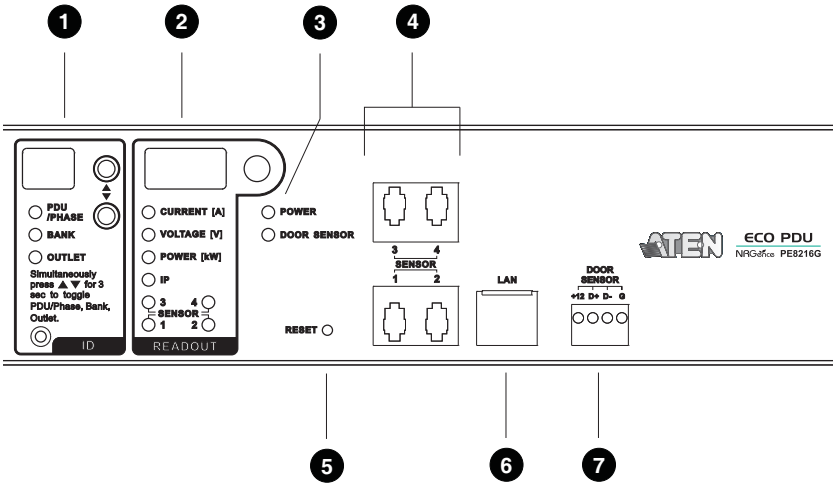
PE7324 / PE8324



Note: The PE7324 / PE8324 unit components are identical except for the outlet LEDs – the PE7324 has none; and the PE8324 has 24, as shown by number 5 above.

No.	Item	Description
1	Power Outlets*	24 in total (21 x IEC 320 C13 + 3 x IEC 320 C19) Bank 1-1: Outlet 1–8: 7 C13; 1 x C19 Bank 1-2: Outlet 9–16: 7 x C13; 1 x C19 Bank 2: Outlet 17–24: 7 x C13; 1 x C19
2	Port and LED Panel	The Port and LED panel contains: <ul style="list-style-type: none"> ◆ Readout Section and LEDs ◆ Sensor Ports ◆ LAN Port ◆ Door Sensor Port ◆ Reset Switch Full details of this section are provided on page 14.
3	Circuit Breakers	As a safety measure, if there is an overcurrent situation regarding the device's power, the circuit breakers will trip. Press the button to recover normal operation. Warning: See <i>Resetting the Circuit Breaker</i> , page 79 for important information about resetting a tripped circuit breaker.
4	Power Cord	Plug the cord into an AC power source. <ul style="list-style-type: none"> ◆ B models connect to a NEMA L6-30P source ◆ G models connect to an IEC 60309 32A source
5	Outlet Status LEDs	PE8324 (x 24) only. These LEDs indicate outlet status. Lights ORANGE for powered on. Off for powered off.

Port and LED Panel (All models)



No.	Item	Description
1	ID Section	<ul style="list-style-type: none"> ◆ The ID of the selected PDU/Phase / Bank / Outlet appears in the LED display window. ◆ When PDU/Phase LED is lit, the LED display window will show P1. ◆ When BANK LED is lit, use the Up and Down buttons to move forward or backward through the following sequence: 01→02 (Bank1→Bank2) ◆ When the Outlet LED is lit, use the Up and Down buttons to move forward or backward through the outlets: 01→02→03→ ... 01 (Outlet1→Outlet2→Outlet3→ ... Outlet1)
2	Readout Section	<ul style="list-style-type: none"> ◆ When PDU/Phase / Bank / Outlet is selected, readouts for Current, Voltage, Power, and IP address appear in the display window. ◆ Press the button next to the LED display window to cycle the selection between the items; the LEDs next to the items indicate which one the display relates to. ◆ When a sensor is selected, the display shows temperature / humidity / differential pressure according to the sensor type
3	Status LEDs	<ul style="list-style-type: none"> ◆ Power: Lights when the unit is powered up and ready to operate. ◆ Door sensor: Lights Red when the door is open. See <i>Door Sensor</i>, page 8, for details.

No.	Item	Description
4	Sensor Ports	External sensors plug into these four RJ-11 ports. See <i>Environment Sensors</i> , page 8, and <i>Securing the Sensors</i> , page 21, for further information.
5	Reset Switch	This switch is recessed and must be pushed with a thin object, such as the end of a paper clip. <ul style="list-style-type: none">◆ Press and release to reboot the device.◆ Press and hold for more than three seconds to reset the eco PDU to its factory default settings
6	LAN Port	The cable that connects the unit to the Internet, LAN, or WAN plugs in here.
7	Door Sensor	This 4-pin dry contact port is for a door sensor support – allows the monitoring of rack mount enclosure door access to notify users when a door has been opened. See <i>Door Sensor</i> , page 8, for details.

Chapter 2

Hardware Setup

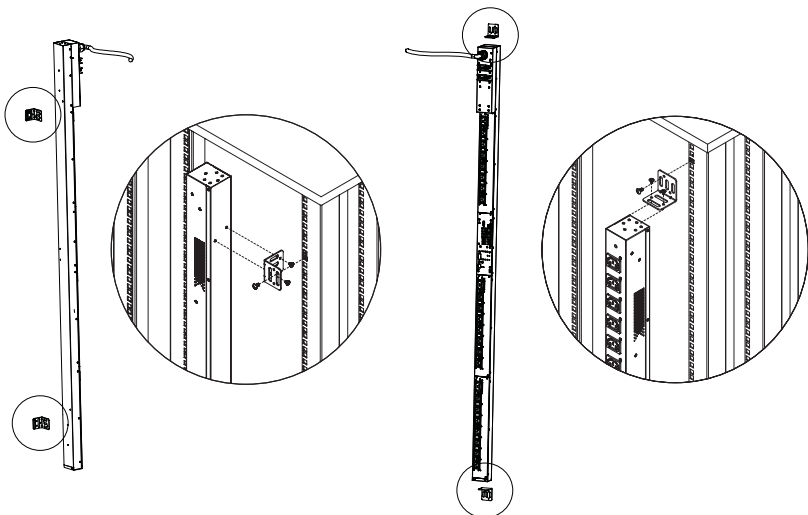
Before You Begin



1. Important safety information regarding the placement of this device is provided on page 61. Please review it before proceeding.
2. Make sure that power to all the devices you will be connecting have been turned off. You must unplug the power cords of any computers that have the Keyboard Power On function.
3. See *Resetting the Circuit Breaker*, page 64 for important information about resetting a tripped circuit breaker.

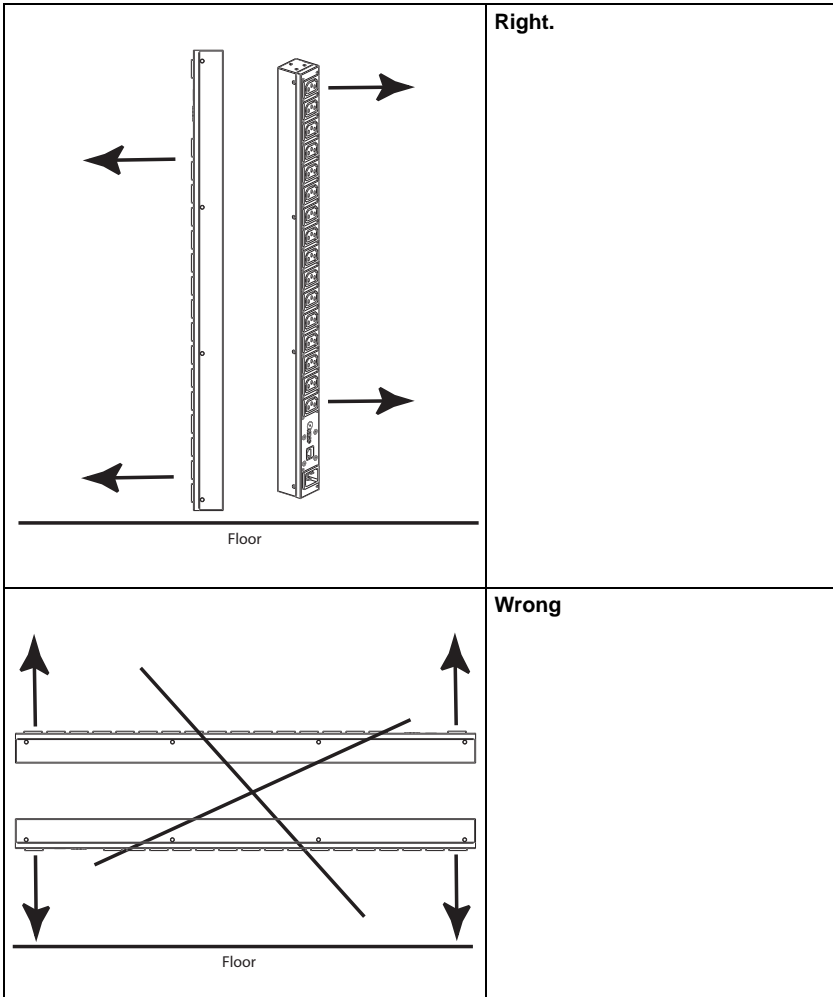
Rack Mounting

The eco PDU can be mounted in a 0U configuration on the side of a rack. To rack mount the device, use the rack mounting brackets that came with your device. The brackets can be mounted either near the top and bottom of the back panel, or the top and bottom ends of the device, as shown in the diagram below:



PDU Placement

For safety reasons the eco PDU should not be installed with the power sockets facing directly up or down, and thus should only be installed with the power sockets facing out from a vertical position as shown below:



Note: The eco PDU models shown in the diagrams are for rack mount reference purposes only.

Installation

To set up your installation, refer to the installation diagram on the next page (the numbers in the diagram correspond to the numbered steps), and do the following:

1. Ensure that the eco PDU unit is properly grounded.

Note: Do not omit this step. Proper grounding helps to prevent damage to the unit from surges of static or electricity.

2. For each device you want to connect, use its power cable to connect from the device's AC socket to any available outlet on the eco PDU. Use ATEN Lok-U-Plug cable holders to secure them.

Note: See *Securing the Cables*, page 20, for details.

3. Plug the cable that connects the eco PDU to the LAN into the eco PDU's LAN port.
4. (Optional) If you are using environmental sensors in your eco PDU installation, connect up to four to the RJ-11 sensor ports on the unit's front panel.

Note: Sensors are optional. Please see *Optional Accessories*, page 8, and the installation diagrams later in this chapter for further information.

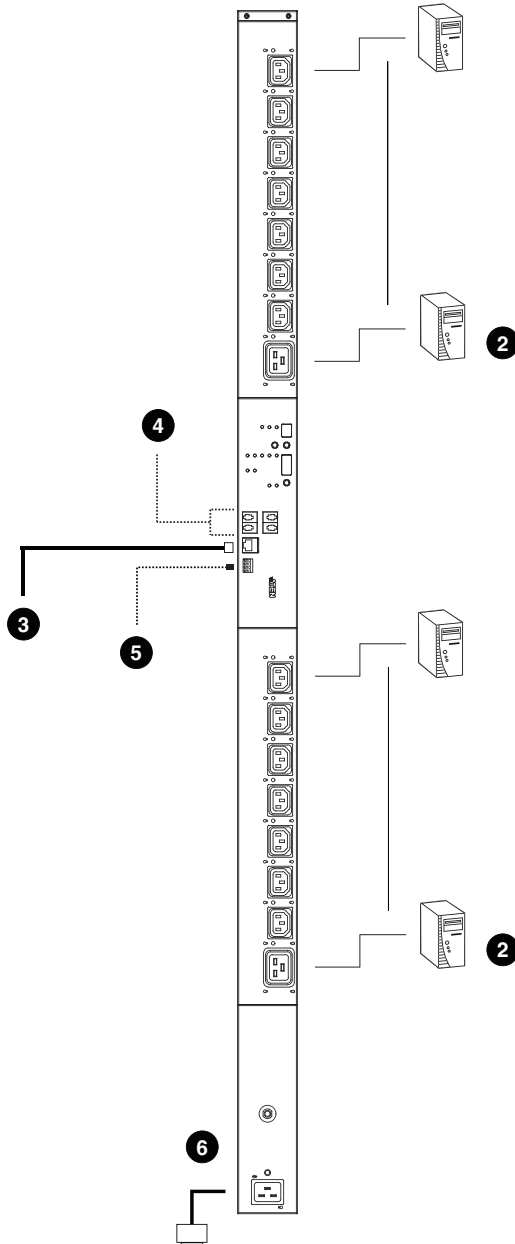
5. (Optional) If you are using a door sensor in your eco PDU installation, connect it to the 4-pin dry sensor port on the unit's front panel.

Note: See *Door Sensor*, page 8, for further information.

6. Depending on your model, connect the eco PDU's built-in power cord to an AC power source, or use the power cord provided to connect the eco PDU's power socket to an AC power source.

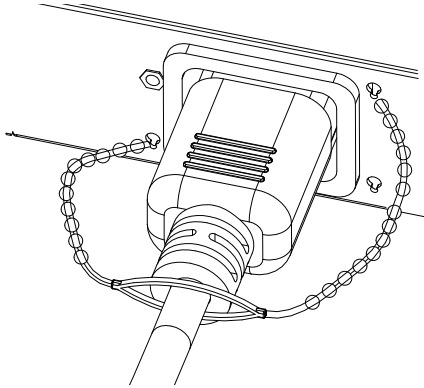
Once you have finished these installation steps, you can turn on the eco PDU and the connected devices.

Installation Diagram



Securing the Cables

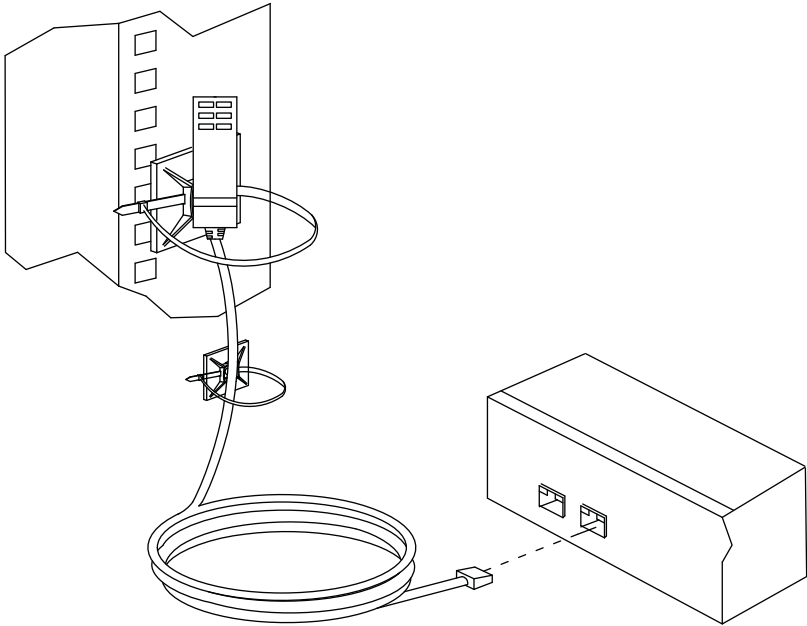
For added safety, use ATEN Lok-U-Plug cable holders to secure the cables from your attached devices in place on the eco PDU unit. Secure the cable holders using the specially designed holes around the individual power outlets, as shown below:



-
- Note:** 1. Cable holders are an optional accessory. See *Cable Holders*, page 9.
2. Use only the ATEN Lok-U-Plug cable holders that have been specifically designed to work with the eco PDU. Using any other kind of cable securing device could be highly dangerous.
-

Securing the Sensors

Connect the sensors to the eco PDU's front panel sensor ports and secure them using sensor mounts, tie wraps, and adhesive cable tie holders. If you use a tie wrap to secure the sensor, tighten the tie wrap over the recessed channel on the sensor, as shown in the following diagram:



-
- Note:**
1. The sensors shown in the above diagram are for reference purposes only. The sensors for the eco PDU may look slightly different.
 2. Depending on the model and type of sensor, sensor mounts, tie wraps, and adhesive cable tie holders may or may not be provided in the package.
-

Chapter 3

Basic Operation and First Time Setup

Operation Methods

NRGence eco PDU models provide three methods to access and manage your installation: Browser, eco Sensors (eco PDU Management Software), and SNMP.

Note: The following sections of this chapter contain information concerning Browser operation. For eco Sensors operation, please reference the separate eco Sensors User Manual. The eco Sensors software and User Manual can be downloaded from the ATEN website.

Browser

NRGence eco PDUs can be accessed and controlled via any supported Internet browser from any platform. See *First Time Setup*, page 23, and the following sections in this chapter, for full details.

eco Sensors

All eco PDUs support eco Sensors (eco PDU Manager Software). NRGence eco Sensors provides you with an easy method for managing multiple devices, offering an intuitive and user-friendly Graphical User Interface that allows you to configure a PDU device and monitor power status of the equipment connected to it. NRGence eco Sensors can be downloaded from the ATEN website, along with a separate eco Sensors User Manual.

SNMP

NRGence eco PDUs support any 3rd party V1, V2, V3 SNMP Manager Software. SNMP Management Information Database (MIB) files for the eco PDU device can be found on the software CD provided with the eco PDU package, or can be downloaded from the ATEN website.

First Time Setup

Once the eco PDU installation has been cabled up, the next task the Administrator needs to perform involve configuring the network parameters, changing the default Administrator login settings, and adding users.

The easiest way to accomplish this is to log in over the Net with a browser.

- Note:**
1. Since this is the first time you are logging in, use the default Username: *administrator*; and the default Password: *password*. For security purposes we recommend changing them to something unique (see *Changing the Administrator Login*, page 25).
 2. For remote methods of getting logged in to the network, see *IP Address Determination*, page 66.

After you successfully log in, the eco PDU Energy/Connections page appears:

The screenshot displays the NRGeco FE824A web interface. The top navigation bar includes 'Energy', 'User', 'Log', 'Setup', and 'PDU' tabs. The main content area is titled 'Connections' and shows 'Configuration' mode. It features two tables: 'PDU Status' and 'Bank Status'. The 'PDU Status' table lists various measurements for PDU #024A, including current, voltage, power, and power factor, along with sensor data for temperature and humidity. The 'Bank Status' table shows measurements for Bank #01, including current, voltage, power, power factor, and breaker status. Both tables include 'ON' and 'OFF' buttons and a 'Reboot' button.

PDU Name	Measurement	Min Threshold	Max Threshold	PDU Status
#024A	Aggregate current	0.00 A		
	Voltage	0.00 V		
	Power	0.0000 W		
	Aggregate power dissipation	0.0000 KWH		
	Power factor	0.00		
	Voltage frequency	0.00 HZ		
	Temperature	N/A		
	Humidity	N/A		
	Pressure	N/A		
	Sensor 2 Temperature	N/A		
Sensor 2 Humidity	N/A			
Sensor 2 Pressure	N/A			

Bank	Bank Name	Measurement	Min Threshold	Max Threshold	Bank Status
#01		Current	0.00 A		
		Voltage	0.00 V		
		Power	0.0000 W		
		Power Dissipation	0.0000 KWH		
		Breaker	ON		
		Power factor	0.00		
		Current	0.00 A		

Note: Operation details are discussed in the next chapter. For further setup information, continue with this chapter

Network Configuration

To set up the network, do the following:

1. Click the **Setup** tab.
2. This opens on the **Device Configuration** page. A screen similar to the one below appears:

The screenshot displays the ATEN web interface for configuring a PDU. The main content area is titled "Device Configuration | Security" and contains the following sections:

- General**
 - PDU Name: PE9324A
 - MAC Address: 00:15:74:A2:00:00
 - Firmware Version: F/W Ver: 1.0.061
 - Rack Location name: PE9324A
- Service Ports**
 - Selected: Only HTTPs
 - Unselected: HTTP / HTTPS
 - HTTP: 80
 - HTTPS: 443
- IPv4 Configuration**
 - Unselected: Obtain IP address automatically (DHCP)
 - Selected: Set IP address manually (Fixed IP)
 - IP Address: 10.3.52.61
 - Subnet Mask: 255.255.254.0
 - Default Gateway: 10.3.53.254

At the bottom of the interface, the copyright notice reads: © Copyright 2012 ATEN International Co., Ltd.

3. Fill in the fields according to the information provided under *Device Configuration*, page 40.

Changing the Administrator Login

To change the default Administrator username and password, do the following:

1. Click the **User** tab.

Once users have been added to the system, the Accounts page displays a detailed list of users – with more information about them – in the large central panel:

The screenshot shows the NAC@PaaS PE9324A Accounts page. The 'User' tab is active. The 'Administrator Information' section contains the following fields:

- Name: administrator
- Password: *****
- SNMPv3 account information:
 - Name: administrator
 - Auth password: *****
 - Priv Password: *****
- SNMPv1/v2c community:
 - Read community: administrator
 - Write community: administrator

The 'User Information' table is as follows:

Management	Name	Password	Outlet
Enable	jn1550	*****	01 02 03 04 05 06 07 08 09 10 11 12 13 14 15 16 17 18 19 20 21 22 23 24
Enable	rtsData	*****	01 02 03 04 05 06 07 08 09 10 11 12 13 14 15 16 17 18 19 20 21 22 23 24
Enable	selen	*****	01 02 03 04 05 06 07 08 09 10 11 12 13 14 15 16 17 18 19 20 21 22 23 24
Disable			01 02 03 04 05 06 07 08 09 10 11 12 13 14 15 16 17 18 19 20 21 22 23 24
Disable			01 02 03 04 05 06 07 08 09 10 11 12 13 14 15 16 17 18 19 20 21 22 23 24
Disable			01 02 03 04 05 06 07 08 09 10 11 12 13 14 15 16 17 18 19 20 21 22 23 24
Disable			01 02 03 04 05 06 07 08 09 10 11 12 13 14 15 16 17 18 19 20 21 22 23 24
Disable			01 02 03 04 05 06 07 08 09 10 11 12 13 14 15 16 17 18 19 20 21 22 23 24
Disable			01 02 03 04 05 06 07 08 09 10 11 12 13 14 15 16 17 18 19 20 21 22 23 24

2. In the **Administrator Information** section at the top, reset the name and password fields to something unique, then click **Save** (at the bottom of the page.)

Note: If you forget the Administrator's name or password, short the mainboard jumper to restore the default Administrator account. See *Administrator Login Failure*, page 73 in the Appendix for full details.

Moving On

After setting up the network and changing the default Administrator username and password, you can proceed to other administration activities – including adding users. This is covered in the next chapter.

Chapter 4

Logging In

Logging In

The eco PDU can be accessed via a supported Internet browser from any platform.

Note: Browsers must support SSL 128 bit encryption.

To access the eco PDU do the following:

1. Open your browser and specify the IP address of the eco PDU you want to access in the browser's URL location bar.

Note: You can get the IP address from the eco PDU administrator, or see *IP Address Determination*, page 66, for information about setting it up yourself.

2. If a Security Alert dialog box appears, accept the certificate – it can be trusted. The Login page appears:



PE8324 Please Login

Username:

Password:

Language:

Login Reset

- www.ATEN.com -

3. Provide a valid **Username** and **Password** (set by the eco PDU administrator).
4. Select your preferred **Language** from the drop-down menu.
5. Then Click **Login** to bring up the browser Main Page.

The eco PDU Main Page

After you have successfully logged in, the eco PDU Main Page comes up with the Energy *Connections* page displayed:

The screenshot shows the ATEN eco PDU main page. The interface includes a top navigation bar with 'Energy', 'User', 'Log', 'Setup', and 'PDU' tabs. A left sidebar contains a 'Connections' menu. The main content area displays the 'PDU Status' page for a PDU named 'PDU001'. The table below shows various measurements and thresholds.

PDU Name	Measurement	Max. Threshold	Min. Threshold	PDU Status	
PDU001	Aggregate current	0.00 A		<input type="checkbox"/> On <input type="checkbox"/> Off <input type="checkbox"/> Reset	
	Voltage	0.00 V			
	Power	0.0000 W			
	Aggregate power dissipation	0.0000 xW/m			
	Voltage frequency	0.00 Hz			
	Door Sensor	N/A			Door Sensor Type <input type="checkbox"/> Just Inhaled <input type="checkbox"/> Push (S1440) <input type="checkbox"/> Inactive Priority (S1441)
	Sensor 1	Temperature	N/A		
		Humidity	N/A		
		Pressure	N/A		
		Temperature	N/A		
Sensor 2	Humidity	N/A			
	Temperature	N/A			
	Humidity	N/A			
	Pressure	N/A			
Sensor 3	Temperature	N/A			
	Humidity	N/A			
	Pressure	N/A			
	Temperature	N/A			
	Humidity	N/A			
	Pressure	N/A			

At the bottom of the table, there is a 'Back Status' button and a small table with columns: 'Name', 'Back Name', 'Measurement Type', 'Max. Threshold', 'Min. Threshold', and 'Back Status'. The footer contains the copyright notice: '© Copyright 2011, PDU © International Co., Ltd.'

Note: The screen depicts an Administrator's page. Depending on a user's type and permissions, and your PE model, not all of these elements appear.

Page Components

The web page screen components are described in the table, below:

No.	Item	Description
1	Tab Bar	The tab bar contains the eco PDU's main operation categories. The items that appear in the tab bar are determined by the user's type, and the authorization options that were selected when the user's account was created.
2	Menu Bar	The menu bar contains operational sub-categories that pertain to the item selected in the tab bar. The items that appear in the menu bar are determined by the user's type, and the authorization options that were selected when the user's account was created.
3	Sidebar	The Sidebar provides a tree view listing of outlets that relate to the various tab bar and menu bar selections.
4	Help	Connects to on-line help at the ATEN website for the device's configuration and operation.
5	Logout	Click this button to log out of your eco PDU session.
6	Interactive Display Panel	This is your main work area. The screens that appear reflect your menu choices and Sidebar node selection.

The Energy page has two tabs: *Connections* and *Configuration*, as described in the chapters that follow.

Energy

Connections

When you log in to the eco PDU, the interface opens with its default selection of the *Energy* tab; and the *Connections* menu. The contents of the **PDU Status**, **Bank Status**, and **Outlet Status** sections are displayed in the main panel.

The screenshot shows the NRGGalFace PDU interface for model PE9224G. The main content area displays the 'PDU Status' section with a table of measurements and thresholds. Below this is the 'Bank Status' section with a table of bank information. The interface includes a navigation menu on the left, a top navigation bar with 'Energy', 'User', 'Log', 'Setup', and 'PDU' tabs, and a right sidebar with 'Help' and 'Logout' buttons.

PDU Name	Measurement	Min Threshold	Max Threshold	PDU Status	
PE9224G	Aggregate current	0.00 A			
	Voltage	0.00 V			
	Power	0.0000 W			
	Aggregate power dissipation	0.0000 KWH			
	Voltage frequency	0.00 HZ			
	Door Sensor	N/A			Door Sensor Type <input checked="" type="checkbox"/> Not Installed <input type="checkbox"/> Photo (SA1442) <input type="checkbox"/> Inductive Proximity (SA1441)
	Sensor 1	Temperature	N/A		
		Humidity	N/A		
		Pressure	N/A		
	Sensor 2	Temperature	N/A		
		Humidity	N/A		
		Pressure	N/A		
	Sensor 3	Temperature	N/A		
		Humidity	N/A		
Pressure		N/A			
Sensor 4	Temperature	N/A			
	Humidity	N/A			
	Pressure	N/A			

Bank	Bank Name	Measurement	Min Threshold	Max Threshold	Bank Status

Note: Only enabled eco PDU models will display the Bank Status and/or Outlet Status submenu section.

PDU Status

All eco PDU models support PDU device level monitoring. The **PDU Status** section allows you to set up a power management configuration for the PDU device as a whole:

PDU Status							
PDU Name	Measurement		Min Threshold	Max Threshold	PDU Status		
PE9324G	Aggregate current		0.00 A				
	Voltage		0.00 V				
	Power		0.0000 W				
	Aggregate power dissipation		0.0000 KWH				
	Voltage frequency		0.00 HZ				
	Door Sensor		N/A	Door Sensor Type <input checked="" type="radio"/> Not installed <input type="radio"/> Photo (EA1440) <input type="radio"/> Inductive Proximity (EA1441)			
	Sensor 1	Temperature	N/A				<input checked="" type="radio"/> ON <input type="radio"/> OFF <input type="checkbox"/> Reboot
		Humidity	N/A				
		Pressure	N/A				
	Sensor 2	Temperature	N/A				
		Humidity	N/A				
		Pressure	N/A				
	Sensor 3	Temperature	N/A				
		Humidity	N/A				
		Pressure	N/A				
	Sensor 4	Temperature	N/A				
		Humidity	N/A				

■ PDU Threshold Settings

These fields are used to set the maximum, minimum, and fluctuation threshold settings for Aggregate Current, Voltage, Power, and Aggregate Power Dissipation. If a range falls below the minimum setting, or exceeds the maximum setting an alarm is triggered.

- ◆ **Voltage Frequency** is displayed here in Hz.
- ◆ **On / Off / Reboot**

You can manually turn the device On and Off from this page by clicking the radio buttons. To Reboot the device, enable the Reboot checkbox and click on Save (located at the bottom of the page).

- ◆ **Door Sensor**

This section allows you to select the type of door sensor that is being used in the installation. See *Door Sensor*, page 8, for further information.

- ◆ **Sensor 1–4**

If you have sensors installed in your installation, use these fields to set the maximum, minimum, and fluctuation threshold settings for Temperature, Humidity, and Pressure.

Note: Sensors are optional accessories. Check with your dealer for information about NRGence eco Sensors software.

Bank Status

All eco PDU models support Bank level monitoring. The **Bank Status** section allows you to set up a power management configuration for the individual banks:

Bank Status

Bank	Bank Name	Measurement	Min Threshold	Max Threshold	Bank Status	
[01]		Current	0.00 A	<input type="text"/>	<input type="text"/>	<input type="button" value="ON"/> <input type="checkbox"/> Reboot <input type="button" value="OFF"/>
		Voltage	0.00 V	<input type="text"/>	<input type="text"/>	
		Power	0.0000 W	<input type="text"/>	<input type="text"/>	
		Power Dissipation	0.0000 KWH	<input type="text"/>	<input type="text"/>	
		Breaker	ON	<input type="text"/>	<input type="text"/>	
[02]		Current	0.00 A	<input type="text"/>	<input type="text"/>	<input type="button" value="ON"/> <input type="checkbox"/> Reboot <input type="button" value="OFF"/>
		Voltage	0.00 V	<input type="text"/>	<input type="text"/>	
		Power	0.0000 W	<input type="text"/>	<input type="text"/>	
		Power Dissipation	0.0000 KWH	<input type="text"/>	<input type="text"/>	
		Breaker	ON	<input type="text"/>	<input type="text"/>	

■ Threshold Settings

These fields are used to set the maximum, minimum, and fluctuation threshold settings for Aggregate Current, Voltage, Power, and Power Dissipation. If a range falls below the minimum setting, or exceeds the maximum setting an alarm is triggered.

- ◆ **Breaker** status (ON / OFF) displays here.

Outlet Status

If your eco PDU models supports outlet level power management, threshold settings and manual On/Off/Reboot switching can be performed on this page.

Outlet Status					
Outlet	Outlet Name	Measurement	Min Threshold	Max Threshold	Outlet Status
[01]		Current	0.00 A	<input type="text"/>	<input type="text"/>
		Voltage	0.00 V	<input type="text"/>	<input type="text"/>
		Power	0.0000 W	<input type="text"/>	<input type="text"/>
		Power Dissipation	0.0000 KWH	<input type="text"/>	<input type="text"/>
		Power factor	0.00	<input type="text"/>	<input type="text"/>
					ON <input type="radio"/> OFF <input type="radio"/> <input type="checkbox"/> Reboot
[02]		Current	0.00 A	<input type="text"/>	<input type="text"/>
		Voltage	0.00 V	<input type="text"/>	<input type="text"/>
		Power	0.0000 W	<input type="text"/>	<input type="text"/>
		Power Dissipation	0.0000 KWH	<input type="text"/>	<input type="text"/>
		Power factor	0.00	<input type="text"/>	<input type="text"/>
					ON <input type="radio"/> OFF <input type="radio"/> <input type="checkbox"/> Reboot
		Current	0.00 A	<input type="text"/>	<input type="text"/>

■ Threshold Settings

These fields are used to set the maximum, minimum, and fluctuation threshold settings for Aggregate Current, Voltage, Power, and Power Dissipation. If a range falls below the minimum setting, or exceeds the maximum setting an alarm is triggered.

■ On / Off / Reboot

You can manually turn the outlet On and Off from this page by clicking the radio buttons. To Reboot the outlet, enable the Reboot checkbox and click on Save (located at the bottom of the page).

Configuration

The *Configuration* page is used to configure the settings of the eco PDU at the bank and individual power outlet level:

POP Setting

Enable POP Mode (Proactive Overload Protection)

POP Threshold :

Same as Bank Max Current 19 A

User Define :

Bank Configuration

Bank	Bank Name
[01]	
[02]	

Outlet Configuration

Outlet	Outlet Name	Confirmation Required	Delay Time (sec)		Remote Turn ON Method
			Power ON	Power OFF	
[01]	<input type="text"/>	<input type="checkbox"/>	0 <input type="text"/>	15 <input type="text"/>	Method: Kill the Power <input type="text"/> MAC Address: <input type="text"/>
[02]	<input type="text"/>	<input type="checkbox"/>	0 <input type="text"/>	15 <input type="text"/>	Method: Kill the Power <input type="text"/> MAC Address: <input type="text"/>
[03]	<input type="text"/>	<input type="checkbox"/>	0 <input type="text"/>	15 <input type="text"/>	Method: Kill the Power <input type="text"/> MAC Address: <input type="text"/>
[04]	<input type="text"/>	<input type="checkbox"/>	0 <input type="text"/>	15 <input type="text"/>	Method: Kill the Power <input type="text"/> MAC Address: <input type="text"/>
[05]	<input type="text"/>	<input type="checkbox"/>	0 <input type="text"/>	15 <input type="text"/>	Method: Kill the Power <input type="text"/> MAC Address: <input type="text"/>
[06]	<input type="text"/>	<input type="checkbox"/>	0 <input type="text"/>	15 <input type="text"/>	Method: Kill the Power <input type="text"/> MAC Address: <input type="text"/>

POP Setting

This section allows you to configure the settings for NRGence's exclusive Proactive Overload Protection (POP) technology. Effective on all non-critical outlets, this added safety feature automatically powers off the last outlet that caused the current overload.

- ◆ **Enable POP Mode** by clicking the radio button
- ◆ Make your selection for the *POP Threshold* – options are *Same as Bank Maximum Current* or *User Defined* – Enter a value in the field.

Note: This feature is available on the PE8216 model only. See *Proactive Overload Protection (POP)*, page 6, for more details.

Bank Configuration

Each bank can be given a distinctive name. The maximum number of characters is 15.

Outlet Configuration

This page lets you set up the power management configuration for the selected outlet. The meanings of the field headings are given in the following table

Heading	Meaning
Outlet Name	Each outlet can be given a distinctive name. The maximum number of characters is 15.
Confirmation Required	If this option is enabled (there is a check in the checkbox), a dialog box comes up asking you to confirm a power operation before it is performed. If it is disabled (there is no check in the checkbox), the operation is performed without confirmation.
Power ON Delay	Sets the amount of time the eco PDU waits after the Power Button is clicked (see <i>Bank Status</i> , page 31), before it powers on the outlet. Note: The default delay time is 0 seconds; the maximum is 999 seconds. When a series of outlets are scheduled to be powered up, they turn on in sequence with a default delay of 10 milliseconds between each outlet.
Power OFF Delay	Sets the amount of time the eco PDU waits after the Power Button is clicked (see <i>Bank Status</i> , page 31), before it turns off the power to the outlet. For the <i>System after AC Back</i> option (see below), after the delay time expires, the eco PDU waits another fifteen seconds, then shuts the computer down. The default delay time is 15 secs; the maximum delay time is 999 secs.
Remote Turn ON Method	Use the drop-down menu to select one of the choices, below: Wake on LAN: This is a Safe Shutdown and Restart option. If this is selected, when an Outlet is turned Off, the eco PDU first sends a message to the computer telling it to prepare for a shutdown; it then waits for the amount time set in the <i>Power Off Delay</i> field to give the OS time to close down before the computer is powered down to standby mode. Likewise, when the Outlet is turned On, the eco PDU waits for the amount time set in the <i>Power On Delay</i> field, then sends an Ethernet message to the computer connected to the Outlet telling the computer to turn itself On. Note: For Safe Shutdown and Restart, the computer must be running Windows (98 or higher), or Linux, and the <i>Safe Shutdown</i> program (available by download from our website), must be installed and running on the computer. System after AC Back: This is a Safe Shutdown and Restart option. If this is selected, when an Outlet is turned Off, the eco PDU first sends a message to the computer telling it to prepare for a shutdown; it then waits for the amount time set in the <i>Power Off Delay</i> field to give the OS time to close down before the computer is powered down. When the Outlet is turned On, the eco PDU waits for the amount time set in the <i>Power On Delay</i> field, then sends power to the server. When the server receives the power, it turns itself on. Note: For Safe Shutdown and Reboot, the computer must be running Windows (98 or higher), or Linux, and the <i>Safe Shutdown</i> program (available by download from our website), must be installed and running on the computer. (Continues on next page)

Heading	Meaning
Remote Turn ON Method	Kill the Power: If this option is selected, the eco PFDU waits for the amount time set in the <i>Power Off Delay</i> field, and then turns the Outlet's power Off. Turning the power off performs a cold (non-safe) shutdown.
MAC Address	In order to use either of the Safe Shutdown and Restart methods the MAC address of the computer connected to the outlet must be filled in here.

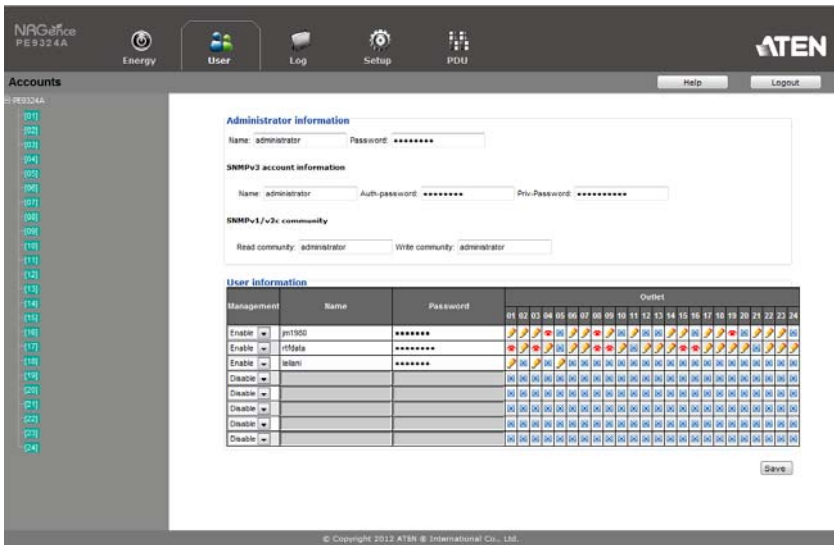
When you have finished making your configuration settings, click **Save**.

Chapter 6

User Management

Overview

When you select the *User* tab the screen comes up with the *Accounts* menu, and the *Administrator Information* and *User Information* displayed in the main panel:



Note: There is a pre-installed administrator account. It can be used to set up the device and to begin creating users and groups. The Username for this account is *administrator*; the password is *password*. For security purposes, we strongly recommend changing these to something unique.

Administrator Information

This section is used to set the Administrator name and password. Only Administrators can view this section. For details, see *Changing the Administrator Login*, page 25.




User Information

To add a user, do the following:

1. Select the user type in the Management drop-down menu.
2. Key in a name and password in the Name and Password fields.
3. Set the outlet-by-outlet permissions of the user in the Outlet field.
4. Set the Management field to *Enable*.
5. Click *Save* to save your settings.

Note: Values must be entered in both the Name and Password fields in order to enable an account.

The various options are explained in more detail in the following table:

Field	Description	
Management	The Management field allows you to Enable or Disable a user's account: <ul style="list-style-type: none"> ◆ Enable – stores the user account ◆ Disable – disables the user account 	
Name	From 1 to 16 characters are allowed.	
Password	From 1 to 16 characters are allowed.	
Outlet	This field allows you to set the outlet-by-outlet permissions of the user. Click on the user/port icon to cycle through the three permissions options, as follows:	
		User has complete access to this outlet.
		User has read-only access to this outlet.
		User has no access to this outlet.
Save	Click this button to save your operation or changes	

Chapter 7

Log

Log

The eco PDU keeps a record of transactions that take place on its installation, and stores up to 128 events at one time.

The screenshot displays the 'System Log' interface for the NRG@face PE8324A PDU. The interface includes a navigation bar with icons for Energy, User, Log (selected), Setup, and PDU. A sidebar on the left shows a list of event IDs from 001 to 024. The main area contains a table of log entries with columns for No., Date/Time, Category, Severity, User, and Description. The table shows 17 events, including authentication attempts and device reboots. At the bottom of the table, there are navigation buttons: Clear, First Page, Previous Page, Next Page, Last Page, and Save. The footer indicates '© Copyright 2012 ATEN © International Co., Ltd.'

No.	Date/Time	Category	Severity	User	Description
001	2012-11-19 13:28:30	Authentication	Information	administrator	administrator 10.3.41.141 logged in.
002	2012-11-19 13:08:33	Authentication	Information	administrator	administrator 10.3.41.101 logged out.
003	2012-11-19 13:03:22	Authentication	Information	administrator	administrator 10.3.41.101 logged in.
004	2012-11-19 12:50:25	Authentication	Information	administrator	administrator 10.3.41.141 session timed out.
005	2012-11-19 12:00:11	Authentication	Information	administrator	administrator 10.3.41.141 logged in.
006	2012-11-19 11:48:22	Device	Information		Device was rebooted.
007	2012-11-19 11:47:14	Device	Information		Device was rebooted.
008	2012-11-19 11:35:19	Authentication	Information	administrator	administrator 10.3.52.73 logged out.
009	2012-11-19 11:35:05	Authentication	Information	administrator	administrator 10.3.52.73 logged in.
010	2012-11-19 11:27:58	Authentication	Information	administrator	administrator 10.3.52.73 logged out.
011	2012-11-19 11:27:37	Authentication	Information	administrator	administrator 10.3.52.73 logged in.
012	2012-11-19 11:27:21	Device	Information		Device was rebooted.
013	2012-11-19 10:40:00	Authentication	Information	administrator	administrator 10.3.52.73 logged out.
014	2012-11-19 10:39:34	Authentication	Information	administrator	administrator 10.3.52.73 logged in.
015	2012-11-19 10:37:50	Device	Information		Device was rebooted.
016	2012-11-19 10:35:11	Device	Information		Device was rebooted.
017	2012-11-19 10:34:08	Device	Information		Device was rebooted.

The System Log Event List

- ◆ Clicking on a device in the Sidebar displays its log events in the main panel's log event list.
- ◆ Clicking the **Refresh** button brings the log list up to date with the latest events.
- ◆ The entry box to the right of the Refresh button lets you set the number of events to display per page. Simply key in the number of your choice.
- ◆ The top right of the main panel shows the total number of pages in the log file, and what page you are currently viewing.
- ◆ The buttons on the bottom row function as follows:
 - ◆ **Clear** – click to erase the contents of the log event list
 - ◆ **First Page** – click to go to the first page of the log event list
 - ◆ **Previous Page** – click to move to the previous page of the log event list
 - ◆ **Next Page** – click to move to the next page of the log event list
 - ◆ **Last Page** – click to move to the last page of the log event list
 - ◆ **Export Log** – click to save the contents of the log event list to file.

Chapter 8 Setup

Device Management

The *Setup* page allows administrators and users with device management permission to configure and control overall eco PDU operations.

Device Configuration

This page presents information about the selected device, as described in the following sections:

General

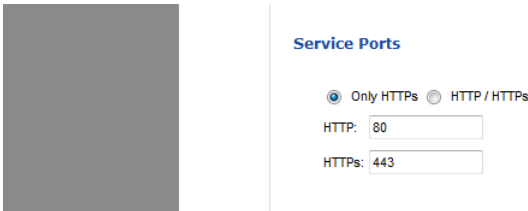


Item	Meaning
PDU Name	This field lets you give the device a unique name. Simply delete whatever is in the text box and key in the name of your choice. Click Save (located at the bottom of the page) to save the new name.
MAC Address	This item displays the eco PDU's MAC address.
Firmware Version	This item displays the current firmware version number. You can reference it to see if there are newer versions available on the ATEN website.
Rack Location Name	This field lets you give the rack location a unique name for easy reference.

Service Ports

As a security measure, if a firewall is being used, the Administrator can specify the port numbers that the firewall will allow. If a port other than the default is used, users must specify the port number as part of the IP address when they log in. If an invalid port number (or no port number) is specified, the eco PDU will not be found.

Select whether to allow only secure browser logins, as show below:



The screenshot shows a configuration window titled "Service Ports". It contains two radio buttons: "Only HTTPS" (which is selected) and "HTTP / HTTPS". Below the radio buttons, there are two input fields: "HTTP: 80" and "HTTPS: 443".

An explanation of the fields is given in the table below:

Field	Explanation
HTTP	The port number for a browser login. The default is 80.
HTTPS	The port number for a secure browser login. The default is 443.

- Note:**
1. Valid entries for all of the Service Ports are from 1–65535.
 2. The service ports cannot have the same value. You must set a different value for each one.
 3. If there is no firewall (on an Intranet, for example), it doesn't matter what these numbers are set to, since they have no effect.

IPv4 Configuration

The PDU's IPv4 IP and DNS addresses (the traditional method of specifying IP addresses) can either be assigned dynamically (DHCP), or a fixed IP address can be specified.

IPv4 Configuration

Obtain IP address automatically [DHCP]

Set IP address manually [Fixed IP]

IP Address:

Subnet Mask:

Default Gateway:

Obtain DNS server address automatically

Set DNS server address manually

Preferred DNS Server:

Alternate DNS Server:

- ◆ For dynamic IP address assignment, select the *Obtain IP address automatically* radio button. (This is the default setting.)
- ◆ To specify a fixed IP address, select the *Set IP address manually* radio button and fill in the IP address with values appropriate for your network.
- ◆ For automatic DNS Server address assignment, select the *Obtain DNS Server address automatically* radio button.
- ◆ To specify the DNS Server address manually, select the *Set DNS server address manually* radio button, and fill in the addresses for the Preferred and Alternate DNS servers with values appropriate for your network.

Note: 1. If you choose *Obtain IP address automatically*, when the device starts up it waits to get its IP address from the DHCP server. If it hasn't obtained the address after one minute, it automatically reverts to its factory default IP address (192.168.0.60.)

2. If the device is on a network that uses DHCP to assign network addresses, and you need to ascertain its IP address, see *IP Address Determination*, page 66, for information.

3. Specifying the Alternate DNS Server address is optional.

IPv6 Configuration

IPv6 is the new (128-bit) format for specifying IP addresses. The PDU's IPv6 IP and DNS addresses can either be assigned dynamically (DHCP), or a fixed IP address can be specified.

IPv6 Configuration

Enable autoconfiguration

Set configuration manually

IP Address:

Static Prefix Length:

Default Gateway:

Use DHCPv6 to obtain DNS Server Addresses

Set DNS server address manually

Preferred DNS Server:

Alternate DNS Server:

- ◆ For dynamic IP address assignment, select the *Obtain IP address automatically* radio button. (This is the default setting.)
- ◆ To specify a fixed IP address, select the *Set IP address manually* radio button and fill in the IP address with values appropriate for your network.
- ◆ For automatic DNS Server address assignment, select the *Obtain DNS Server address automatically* radio button.
- ◆ To specify the DNS Server address manually, select the *Set DNS server address manually* radio button, and fill in the addresses for the Preferred and Alternate DNS servers with values appropriate for your network.

-
- Note:**
1. If you choose *Obtain IP address automatically*, when the device starts up it waits to get its IP address from the DHCP server. If it hasn't obtained the address after one minute, it automatically reverts to its factory default IP address (192.168.0.60.)
 2. If the device is on a network that uses DHCP to assign network addresses, and you need to ascertain its IP address, see *IP Address Determination*, page 66, for information.
 3. Specifying the Alternate DNS Server address is optional.
-

Event Notification

The Event Notification section is divided into three sections: SMTP Settings; SNMP Trap Receivers; and Syslog Server. Each section is described below.

Note: SMTP communications are supported on Port 25.

■ SMTP Settings

The screenshot shows a web interface for configuring SMTP settings. At the top, it says "Event Notification" in blue. Below that is the "SMTP Server" section. There are two checkboxes: "Enable report from the following SMTP Server" (unchecked) and "My server requires authentication" (unchecked). Under the first checkbox, there is a text input field labeled "SMTP Server:". Under the second checkbox, there are three text input fields labeled "Account Name:", "Password:", and "From:". Below these is another text input field labeled "To:".

To have the eco PDU device email reports from the SMTP server to you, do the following:

1. Enable the *Enable report from the following SMTP server*, and key in the IP address of your SMTP server.
2. If your server requires authentication, put a check in the *My server requires authentication* checkbox.
3. Key in the appropriate account information in the *Account Name*, *Password*, and *From* fields.

Note: Only one email address is allowed in the *From* fields, and it cannot exceed 64 characters.)

4. Key in the email address (addresses) of where you want the event reports sent to in the *To* field.

Note: If you are sending the report to more than one email address, separate the addresses with a semicolon or comma, depending on the specified mail server. The total cannot exceed 256 characters.

■ SNMP Trap Receivers

SNMP Trap Receiver

Enable SNMP Trap SNMPv3 SNMPv2c SNMPv1

Receiver IP 1:

Service Port 1:

Community 1:

User name 1:

Auth-password 1:

Priv-Password 1:

Receiver IP 2:

Service Port 2:

Community 2:

User name 2:

Auth-password 2:

Priv-Password 2:

Up to four SNMP management stations can be specified. If you want to use SNMP trap notifications, do the following:

1. Check *Enable SNMP Trap*.
2. Select which version of SNMP you want to use.
3. Key in the IP address(es) and the service port number(s) of the computer(s) to be notified of SNMP trap events. The valid port range is 1–65535. The default port number is 162.

Note: Make sure that the port number you specify here matches the port number used by the SNMP receiver computer.

4. Key in the community value(s) if required for the SNMP version.
5. Key in the auth/privacy password(s) that correspond to each of the stations.

■ Syslog Server

Syslog Server

Enable Syslog Server

Server IP:

Service Port:

To record all the events that take place on eco PDU devices and write them to the eco PDU Syslog server, do the following:

1. Check **Enable Syslog Server**.
2. Key in the IP address and the port number of the Syslog server. The valid port range is 1-65535. The default port number is 514.

Date/Time

The Date/Time dialog page sets the eco PDU time parameters:

Time Zone

(GMT+08:00) Taipei ▼

Daylight Savings Time

Manual Input

Date: 📅 ▼ (YYYY-MM-DD)

Time: (HH:MM:SS)

Sync with PC

Network Time

Enable auto adjustment

Preferred time server

AU | ntp1.cs.mu.OZ.AU ▼

Preferred custom server IP

Alternate time server

AU | ntp1.cs.mu.OZ.AU ▼

Alternate custom server IP

Adjust time every days

Set the parameters according to the information described below.

Time Zone

- ◆ To establish the time zone that the eco PDU is located in, drop down the *Time Zone* list and choose the city that most closely corresponds to where it is at.
- ◆ If your country or region employs Daylight Saving Time (Summer Time), check the corresponding checkbox.

Manual Input

Use this section to specify the eco PDU's date and time manually.

- ◆ Click the calendar icon and click the calendar entry for the date.
- ◆ Key the time into the Time field, using the HH:MM:SS (hours, minutes, seconds) format.

Note: This section is only enabled when *auto adjustment* (in the *Network Time* section) is disabled (the checkbox is unchecked).

As an alternative to specifying the date and time by entering them into the date and time fields, you can click to put a check in the *Sync with PC* checkbox, in which case the eco PDU will take its date and time settings from the locally connected PC.

Network Time

To have the time automatically synchronized to a network time server, do the following:

1. Check the *Enable auto adjustment* checkbox.
2. Drop down the time server list to select your preferred time server
– or –

Check the *Preferred custom server IP* checkbox, and key in the IP address of the time server of your choice.

3. If you want to configure an alternate time server, check the *Alternate time server* checkbox, and repeat step 2 for the alternate time server entries.
4. Key in your choice for the number of days between synchronization procedures.

Finishing Up

When you have finished making your settings on this page, click **Save**.

After you have saved your changes, if you want to synchronize immediately, click **Adjust Time Now**.

Security

The Security page controls access to the eco PDU.



Security

Login Failures

Allowed: 3

Timeout: 5 min

Working Mode

Enable ICMP

Login Failures

- ◆ **Allowed** sets the number of consecutive failed login attempts that are permitted from a remote user.
- ◆ **Timeout** sets the amount of time a remote user must wait before attempting to login again after exceeding the number of allowed failures.

Working Mode

- ◆ If *ICMP* is **enabled**, the eco PDU device can be pinged. If it is not enabled, the device cannot be pinged. The default is Enabled.

Account Policy

The Account Policy section governs policies in regard to usernames and passwords.

Account Policy

Minimum Username Length :

Minimum Password Length :

Password Must Contain At Least :

One Upper Case

One Lower Case

One Number

Disable Duplicate Login

Check a policy and enter the required information in the appropriate fields.=

Item	Description
Minimum Username Length	Sets the minimum number of characters required for a username. Acceptable values are from 1–16.
Minimum Password Length	Sets the minimum number of characters required for a password. Acceptable values are from 1–16.
Password Must Contain At Least	Checking any of these items requires users to include at least one of the specified items in their password. Note: This policy does not affect existing user accounts. Only new user accounts created after this policy has been enabled, and users required to change their passwords are affected.
Disable Duplicate Login	Check this to prevent users from logging in with the same account at the same time.

Login String / IP Filter / Mac Filter

Login String/IP Filter

Login String :

IP Filter Enable Include Exclude

MAC Filter Enable Include Exclude

■ Login String

The *Login String* entry field is used to specify a login string (in addition to the IP address) that users must include when accessing the eco PDU device with a browser. For example:

192.168.0.126/abcdefg

- ◆ The following characters are allowed:
0–9 a–z A–Z ~ ! @ \$ * () _ ' ,
 - ◆ The following characters are not allowed:
& ^ { } ' < > | " % ” : / ? # \ [Space] + - = [] ;
- Compound characters (É Ç ñ ... etc.)

-
- Note:**
1. There must be a forward slash between the IP address and the string.
 2. If no login string is specified here, anyone will be able to access the eco PDU device login page using the IP address alone. This makes your installation less secure.
-

For security purposes, we recommend that you change this string occasionally.

■ IP Filter / MAC Filter

If any filters have been configured, they appear in the IP Filter and/or MAC Filter list boxes.

IP and MAC Filters control access to the eco PDU based on the IP and/or MAC addresses of the client computers attempting to connect. A maximum of 5 IP filters and 5 MAC filters are allowed.

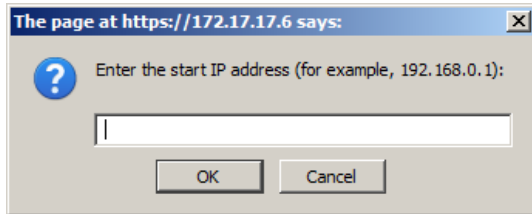
To enable IP and/or MAC filtering, click to put a check mark in the *IP Filter Enable* and/or *MAC Filter Enable* checkbox.

- ◆ If the include button is checked, all the addresses within the filter range are allowed access; all other addresses are denied access.
- ◆ If the exclude button is checked, all the addresses within the filter range are denied access; all other addresses are allowed access.

Adding Filters

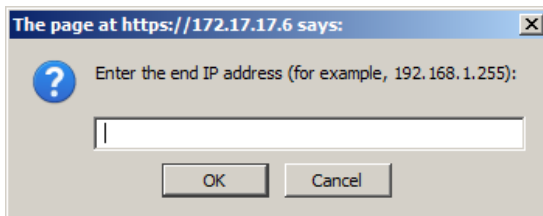
To add an IP filter, do the following:

1. Click **Add**. A dialog box similar to the one below appears:



2. Specify the filter address in the dialog box (for example, 192.168.0.200), then click **OK**.

A second dialog box, similar to the one below, appears:

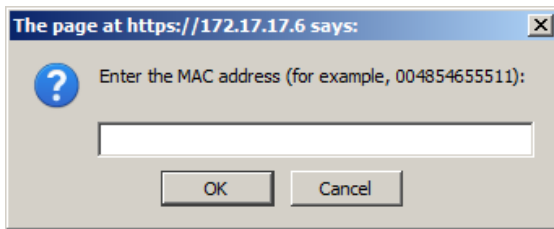


3. To filter a single IP address, key in the same address as the start IP. To filter a continuous range of addresses, key in the end number of the range (for example, 192.168.0.225).
4. After filling in the address, click **OK**.

Repeat these steps for any additional IP addresses you want to filter.

To add a MAC filter, do the following:

1. Click **Add**. A dialog box similar to the one below appears:



2. Specify the MAC address in the dialog box (for example, 001074670000), then click **OK**.

Repeat these steps for any additional MAC addresses you want to filter.

IP Filter / MAC Filter Conflict

If there is a conflict between an IP filter and a MAC filter – for example, where a computer’s IP address is allowed by the IP filter but its MAC address is excluded by the MAC filter – then that computer’s access is blocked.

In other words, if either filter blocks a computer, then the computer is blocked, no matter what the other filter is set to.

Modifying Filters

To modify a filter, select it in the IP Filter or MAC Filter list box and click **Modify**. The Modify dialog box is similar to the Add dialog box. When it comes up, simply delete the old address(es) and replace it with the new one(s).

Deleting Filters

To delete a filter, select it in the IP Filter or MAC Filter list box and click **Delete**.

Authentication & Authorization

The Authentication & Authorization page is used to set up login authentication and authorization management from external sources.

Authentication & Authorization

RADIUS Settings

Enable RADIUS

Preferred RADIUS Server IP :	<input type="text" value="0.0.0.0"/>
Preferred RADIUS Service Port :	<input type="text" value="0"/>
Alternate RADIUS Server IP :	<input type="text" value="0.0.0.0"/>
Alternate RADIUS Server Port :	<input type="text" value="0"/>
Timeout :	<input type="text" value="0"/> sec
Retries :	<input type="text" value="0"/>
Shared Secret (at least 6 characters) :	<input type="text"/>

RADIUS Settings

To allow authentication and authorization for the eco PDU device through a RADIUS server, do the following:

1. Check **Enable**.
2. Fill in the IP addresses and service port numbers for the Preferred and Alternate RADIUS servers. The default port number for the Preferred server is 1812; the default port number for the Alternate server is 1645.

Note: Make sure that the port numbers you specify here match the port numbers used by the RADIUS servers.

3. In the *Timeout* field, set the time in seconds that the eco PDU device waits for a RADIUS server reply before it times out.
4. In the *Retries* field, set the number of allowed retries for attempting to connect to the RADIUS server.
5. In the *Shared Secret* field, key in the character string that you want to use for authentication between the eco PDU device and the RADIUS Server.
6. On the RADIUS server, set the entry for each user as follows:

su/xxxx

Where *xxxx* represents the Username given to the user when the account was created on the eco PDU device. The user's access rights are the ones assigned for the eco PDU device, as well. (See *Device Management*, page 40.)

Note: su/user supports view ports only; su/administrator supports all eco PDU functions.

Private Certificate

When logging in over a secure (SSL) connection, a signed certificate is used to verify that the user is logging in to the intended site. For enhanced security, the *Private Certificate* section allows you to use your own private encryption key and signed certificate, rather than the default ATEN certificate.

There are two methods for establishing your private certificate: generating a self-signed certificate; and importing a third-party certificate authority (CA) signed certificate.

Generating a Self-Signed Certificate

If you wish to create your own self-signed certificate, a free utility – `openssl.exe` – is available for download over the web.

Obtaining a CA Signed SSL Server Certificate

For the greatest security, we recommend using a third party certificate authority (CA) signed certificate. To obtain a third party signed certificate, go to a CA (Certificate Authority) website to apply for an SSL certificate. After the CA sends you the certificate and private encryption key, save them to a convenient location on your computer.

Importing the Private Certificate

To import the private certificate, do the following:

1. Click **Browse** to the right of *Private Key*; browse to where your private encryption key file is located; and select it.
2. Click **Browse** to the right of *Certificate*; browse to where your certificate file is located; and select it.
3. Click **Upload** to complete the procedure.

Note: 1. Clicking **Restore Default** returns the device to using the default ATEN certificate.

2. Both the private encryption key and the signed certificate must be imported at the same time.
-

When you have finished making your settings on this page, click **Save**.

PDU

The *PDU* function is used to upgrade the eco PDU's firmware, and to backup and restore the device's configuration settings.

Firmware File

When you click the **PDU** tab, the display opens with the *Upgrade Main Firmware* menu page, which looks similar to the one below:

Firmware File

Check Main Firmware Version

Energy Box Name	F/W Version
PE6216G	FW Ver:1.0.062

Filename:

Backup

Password:

Restore

Filename:

Password:

A description of the items shown in this panel are given in the table, below:

Item	Description
Check Main Firmware Version	If you enable <i>Check Main Firmware Version</i> , the eco PDU's current firmware level is compared with that of the upgrade file. If the current version is equal to or higher than the upgrade version, a popup message appears, to inform you of the situation and stops the upgrade procedure.
Name	Lists all of the eco PDU devices. Click to put a check in the checkbox of the device's whose firmware you want to upgrade.
F/W Version	Displays the eco PDU's current firmware version.
Filename	As new versions of the firmware become available, they are posted on our website and can be downloaded to a convenient location on your computer. Click the <i>Browse</i> button to select the downloaded upgrade file.
Upgrade	Click this button to upgrade the firmware of the selected devices.

Upgrading the Firmware

To upgrade the firmware refer to the screenshot on the preceding page, and do the following:

1. Go to our website and download the new firmware file to a convenient location on your computer.
2. Click the *Browse* button; navigate to where the firmware file is located and select it.
3. Click **Upgrade** to start the upgrade procedure.
 - ◆ If you enabled *Check Main Firmware Version* the current firmware level is compared with that of the upgrade file. If the current version is equal to or higher than the upgrade version, a popup message appears, to inform you of the situation and stops the upgrade procedure.
 - ◆ If you didn't enable *Check Main Firmware Version*, the upgrade file is installed without checking what its level is.
 - ◆ Once the upgrade completes successfully, the switch resets itself.
4. Log in again, and check the firmware version to be sure it is the new one.

■ Firmware Upgrade Recovery

Should the eco PDU's firmware upgrade procedure fail, and the device becomes unusable, the following firmware upgrade recovery procedure will resolve the problem:

1. Power off the device.
2. Press and hold the Reset Switch in (see page 10).
3. While holding the Reset Switch in, power the switch back on.

This causes the switch to use the original factory installed main firmware version. Once the switch is operational, you can try upgrading the main firmware again.

Backup

To backup the device's settings do the following:

1. In the *Password* field, key in a password for the file.

Note: Entering a password is optional. If you do enter a password, make a note of it, since you will need it to be able to restore the file.

2. Click **Save**.
3. When the browser asks what you want to do with the file, select *Save to disk*; then save it in a convenient location.

Restore

To restore a previous backup, do the following:

1. Click **Browse**; navigate to the file and select it.

Note: If you renamed the file, you can leave the new name. There is no need to return it to its original name.

2. In the *Password* field, key in the same password that you used to save the file.

Note: If you did not set a password when you created the backup file, you can omit this step.

3. Select as many of the options that are presented as you wish to restore.
4. Click **Restore**.

After the file is restored, a message appears to inform you that the procedure succeeded.

Safety Instructions

General

- ◆ This product is for indoor use only.
- ◆ Read all of these instructions. Save them for future reference.
- ◆ Follow all warnings and instructions marked on the device.
- ◆ Do not place the device on any unstable surface (cart, stand, table, etc.). If the device falls, serious damage will result.
- ◆ Do not use the device near water.
- ◆ Do not place the device near, or over, radiators or heat registers.
- ◆ The device cabinet is provided with slots and openings to allow for adequate ventilation. To ensure reliable operation, and to protect against overheating, these openings must never be blocked or covered.
- ◆ The device should never be placed on a soft surface (bed, sofa, rug, etc.) as this will block its ventilation openings. Likewise, the device should not be placed in a built in enclosure unless adequate ventilation has been provided.
- ◆ Never spill liquid of any kind on the device.
- ◆ Unplug the device from the wall outlet before cleaning. Do not use liquid or aerosol cleaners. Use a damp cloth for cleaning.
- ◆ The device should be operated from the type of power source indicated on the marking label. If you are not sure of the type of power available, consult your dealer or local power company.
- ◆ To prevent damage to your installation it is important that all devices are properly grounded.
- ◆ The device is equipped with a 3-wire grounding type plug. This is a safety feature. If you are unable to insert the plug into the outlet, contact your electrician to replace your obsolete outlet. Do not attempt to defeat the purpose of the grounding-type plug. Always follow your local/national wiring codes.
- ◆ The equipment should be installed near the wall socket outlet and the disconnect device (appliance coupler on detachable power supply cord or plug on non-detachable power supply cord) should be readily accessible.

- ◆ Do not allow anything to rest on the power cord or cables. Route the power cord and cables so that they cannot be stepped on or tripped over.
- ◆ To help protect your system from sudden, transient increases and decreases in electrical power, use a surge suppressor, line conditioner, or uninterruptible power supply (UPS).
- ◆ Position system cables and power cables carefully; Be sure that nothing rests on any cables.
- ◆ When connecting or disconnecting power to hot pluggable power supplies, observe the following guidelines:
 - ◆ Install the power supply before connecting the power cable to the power supply.
 - ◆ Unplug the power cable before removing the power supply.
 - ◆ If the system has multiple sources of power, disconnect power from the system by unplugging all power cables from the power supplies.
- ◆ Never push objects of any kind into or through cabinet slots. They may touch dangerous voltage points or short out parts resulting in a risk of fire or electrical shock.
- ◆ Do not attempt to service the device yourself. Refer all servicing to qualified service personnel.
- ◆ If the following conditions occur, unplug the device from the wall outlet and bring it to qualified service personnel for repair.
 - ◆ The power cord or plug has become damaged or frayed.
 - ◆ Liquid has been spilled into the device.
 - ◆ The device has been exposed to rain or water.
 - ◆ The device has been dropped, or the cabinet has been damaged.
 - ◆ The device exhibits a distinct change in performance, indicating a need for service.
 - ◆ The device does not operate normally when the operating instructions are followed.
- ◆ Only adjust those controls that are covered in the operating instructions. Improper adjustment of other controls may result in damage that will require extensive work by a qualified technician to repair.
- ◆ Do not connect the RJ-11 connector marked “Sensor” to a public telecommunication network.

Rack Mounting

- ◆ Before working on the rack, make sure that the stabilizers are secured to the rack, extended to the floor, and that the full weight of the rack rests on the floor. Install front and side stabilizers on a single rack or front stabilizers for joined multiple racks before working on the rack.
- ◆ Always load the rack from the bottom up, and load the heaviest item in the rack first.
- ◆ Make sure that the rack is level and stable before extending a device from the rack.
- ◆ Use caution when pressing the device rail release latches and sliding a device into or out of a rack; the slide rails can pinch your fingers.
- ◆ After a device is inserted into the rack, carefully extend the rail into a locking position, and then slide the device into the rack.
- ◆ Do not overload the AC supply branch circuit that provides power to the rack. The total rack load should not exceed 80 percent of the branch circuit rating.
- ◆ Make sure that all equipment used on the rack – including power strips and other electrical connectors – is properly grounded.
- ◆ Ensure that proper airflow is provided to devices in the rack.
- ◆ Ensure that the operating ambient temperature of the rack environment does not exceed the maximum ambient temperature specified for the equipment by the manufacturer
- ◆ Do not step on or stand on any device when servicing other devices in a rack.

The eco PDU's Main Power Cord

Use the power cord supplied with this package. If it becomes necessary to replace the cord supplied with this package, be sure to use a cord of at least the same standard as the one provided.



Securing the Power Cables

To secure the cables in the eco PDU's power outlets, use only the ATEN Lock-Your-Plug cable holders that have been specifically designed to work with the eco PDU. Using any other kind of cable securing device could be highly dangerous. Please contact your ATEN dealer for information about ATEN Lock-Your-Plugs.

Resetting the Circuit Breaker

Before switching the circuit breaker to reset a trip, power down and disconnect all devices connected to the eco PDU's power outlets to prevent damage caused by a sudden power surge. If a power surge causes the eco PDU's circuit breaker to switch off the power and it needs to be reset, follow the instructions below.

Recovery Procedure:

1. Safely power down and disconnect all devices connected to the eco PDU's power outlets.
2. Switch off the circuit breaker for the source that is providing power to the eco PDU.
3. Switch the eco PDU's circuit breaker to reset the trip.
4. Switch on the circuit breaker for the source that is providing power to the eco PDU.
5. Reconnect the devices to the eco PDU's power outlets, and power them on.

Technical Support

International

- ◆ For online technical support – including troubleshooting, documentation, and software updates: **<http://eservice.aten.com>**
- ◆ For telephone support, see *Telephone Support*, page iii

North America

Email Support		support@aten-usa.com
Online Technical Support	Troubleshooting Documentation Software Updates	http://www.aten-usa.com/support
Telephone Support		1-888-999-ATEN ext 4988

When you contact us, please have the following information ready beforehand:

- ◆ Product model number, serial number, and date of purchase.
- ◆ Your computer configuration, including operating system, revision level, expansion cards, and software.
- ◆ Any error messages displayed at the time the error occurred.
- ◆ The sequence of operations that led up to the error.
- ◆ Any other information you feel may be of help.

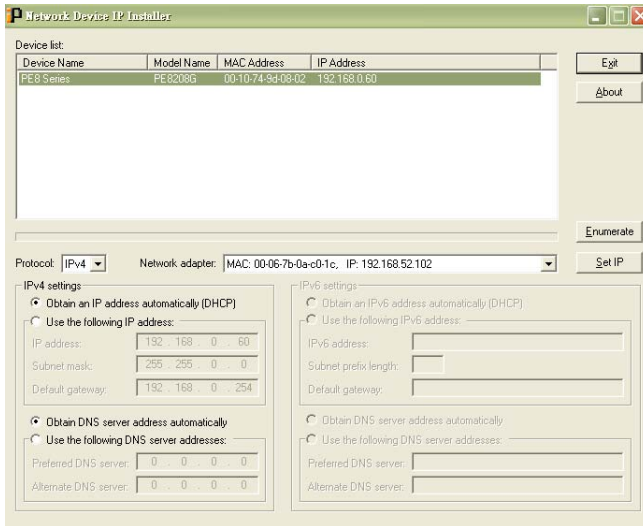
IP Address Determination

If you are an administrator logging in for the first time, you need to access the eco PDU in order to give it an IP address that users can connect to. There are two methods to choose from. In each case, your client computer must be on the same network segment as the eco PDU. After you have connected and logged in you can give the device its fixed network address. (See *Device Management*, page 49.)

Method 1:

For computers running Windows, an IP address can be determined and/or assigned with the IP Installer utility. The utility can be obtained from the *Download* area of our web site or from the software CD. Look under *Driver/SW*, and the model of your device. After downloading the utility to your computer, do the following:

1. Unzip the contents of *IPInstaller.zip* to a directory on your hard drive.
2. Go to the directory that you unzipped the IPInstaller program to and run *IPInstaller.exe*. A dialog box similar to the one below appears:



(Continues on next page.)

(Continued from previous page.)

3. Select the device in the *Device List*.

Note: 1. If the list is empty, or your device doesn't appear, click **Enumerate** to refresh the Device List.

2. If there is more than one device in the list, use the MAC address to pick the one you want. The eco PDU's MAC address is located on its bottom panel.

-
4. Select either *Obtain an IP address automatically (DHCP)*, or *Specify an IP address*. If you chose the latter, fill the IP Address, Subnet Mask, and Gateway fields with the information appropriate to your network.
 5. Click **Set IP**.
 6. After the IP address shows up in the Device List, click **Exit** to end the program.

Method 2:

1. Set your computer's IP address to 192.168.0.XXX
Where XXX represents any number or numbers except 60. (192.168.0.60) is the default address of the eco PDU.)
2. Specify the device's default IP address (192.168.0.60) in your browser, and you will be able to connect.
3. Assign a fixed IP address for the device (see *IPv4 Configuration*, page 51), that is suitable for the network segment that it resides on.
4. After you log out, reset your computer's IP address to its original value.
5. Once you have logged in, go to Network Settings to set up the permanent IP environment (see *IPv4 Configuration*, page 51).

Method 3:

NRGence eco Sensors allows you to determine/assign an IP address in order to configure a PDU device and monitor power status of the equipment connected to it. NRGence eco Sensors can be obtained from the Download area of the ATEN web site.

Specifications

There are 8 models in the PE7xxx / PE8xxx range. They are available in 16-, and 24-port versions, with power inlet/cord variations. A basic comparison is show in the table, below.

Basic Comparison

Model	Inlet / Cord	Outlets		Metering Level	Outlet Switching
PE7216B	NEMA 6-20P	16	14 x IEC 320 C13 + 2 x IEC 320 C19	PDU / 1 x Bank / Outlet	No
PE8216B					Yes 16/16
PE7216G	IEC 60320 C20				No
PE8216G					Yes 16/16
PE7324B / J	NEMA L6-30P	24	21 x IEC 320 C13 + 3 x IEC 320 C19	PDU / 2 x Bank / Outlet	No
PE8324B / J					Yes 24/24
PE7324G	IEC 60309 32A				No
PE8324G					Yes 24/24

Note: The J models are identical to their B model counterparts but have power cords designed for the Japanese market.

PE7216B / PE8216B

Function			PE7216B	PE8216B
Power Outlets	Direct		16	
Connectors	Power Inlet		1 x NEMA 6-20P	
	Power Outlets	NEMA	NA	
		IEC	Total: 14 x IEC 320 C13 + 2 x IEC 320 C19 Bank 1-1, Outlet 1-8: 7 x C13 + 1 x C19. Bank 1-2, Outlet 9-16: 7 x C13 + 1 x C19	
	Environment Sensors		4 x RJ-11 Female (Black)	
	Door Sensor		1 x 4-pin Dry Contact	
	LAN		1 x RJ-45 Female (Silver) + LEDs (Orange/ Green)	
LEDs	Outlet Status		NA	16 (Orange)
	PDU / Bank / Outlet		2-digit 7-segment (Orange)	
	PDU / Bank / Outlet		3 (Green)	
	Current / Volt / P.D. / Sensor1- Sensor4 / FW Upgrade		3-digit 7-segment (Orange)	
	Current / Volt / P.D. / IP / Sensor1-Sensor4		7 (Green)	
	Door Open		1 (Red)	
	IP		1 (Green)	
	Power		1 (Blue)	
Switches	LED Display Select		1 x Pushbutton	
	PDU / Bank / Outlet Select		2 x Pushbutton	
	Reset		1 x Semi-recessed Pushbutton	
	Power		1 x 16A Branch Breaker	
Nominal Input Power			100-240V~; 50-60Hz; 16A (UL), 20A (Max.)	
Power Capacity			4.16kW	
Nominal Output Power	Per Port	IEC 320 C19	100-240V~; 50-60Hz; 16A (UL), 20A (Max.)	
		IEC 320 C13	100-240V~; 50-60Hz; 12A (UL), 15A (Max.)	
	Total		100-240V~; 50-60Hz; 16A (UL), 20A (Max.)	
Environment	Operating Temperature		0-50°C	
	Storage Temperature		-20-60°C	
	Humidity		0-80% RH Non-condensing	
Physical Properties	Housing		Metal	
	Weight		3.80 kg	
	Dimensions (L x W x H)		132.48 x 6.60 x 4.40 cm	

PE7216G / PE8216G

Function			PE7216G	PE8216G
Power Outlets	Direct		16	
Connectors	Power Inlet		1 x IEC 320 C20	
	Power Outlets	NEMA	NA	
		IEC	Total: 14 x IEC 320 C13 + 2 x IEC 320 C19 Bank 1-1, Outlet 1-8: 7 x C13 + 1 x C19. Bank 1-2, Outlet 9-16: 7 x C13 + 1 x C19	
	Environment Sensors		4 x RJ-11 Female (Black)	
	Door Sensor		1 x 4-pin Dry Contact	
LAN		1 x RJ-45 Female (Silver) + LEDs (Orange/Green)		
LEDs	Outlet Status		NA	16 (Orange)
	PDU / Bank / Outlet		2-digit 7-segment (Orange)	
	PDU / Bank / Outlet		3 (Green)	
	Current / Volt / P.D. / Sensor1-Sensor4 / FW Upgrade		3-digit 7-segment (Orange)	
	Current / Volt / P.D. / IP / Sensor1-Sensor4		7 (Green)	
	Door Open		1 (Red)	
	IP		1 (Green)	
	Power		1 (Blue)	
Switches	LED Display Select		1 x Pushbutton	
	PDU / Bank / Outlet Select		2 x Pushbutton	
	Reset		1 x Semi-recessed Pushbutton	
	Power		1 x Non-fuse Breaker	
Nominal Input Power			100-240V~; 50-60Hz; 16A	
Power Capacity			4.60kW	
Nominal Output Power	Per Port	IEC 320 C19	100-240V~; 50-60Hz; 15A (TUV), 16A (Max.)	
		IEC 320 C13	100-240V~; 50-60Hz; 10A	
	Total		100-240V~; 50-60Hz; 15A (TUV), 16A (Max.)	
Environment	Operating Temperature		0-40°C	
	Storage Temperature		-20-60°C	
	Humidity		0-80% RH Non-condensing	
Physical Properties	Housing		Metal	
	Weight		3.8 kg	
	Dimensions (L x W x H)		132.48 x 6.60 x 4.40 cm	

PE7324B/J / PE8324B/J

Function			PE7324B / J	PE8324B / J
Power Outlets	Direct		24	
Connectors	Power Cord		1 x NEMA L6-30P	
	Power Outlets	IEC	Total: 21 x IEC 320 C13 + 3 x IEC 320 C19 Bank 1-1, Outlet 1-8: 7 x C13 + 1 x C19. Bank 1-2, Outlet 9-16: 7 x C13 + 1 x C19 Bank 2, Outlet 17-24: 7 x C13 + 1 x C19	
	Environment Sensors		4 x RJ-11 Female (Black)	
	Door Sensor		1 x 4-pin Dry Contact	
	LAN		1 x RJ-45 Female (Silver) + LEDs (Orange/Green)	
LEDs	Outlet Status		NA	24 (Orange)
	PDU / Bank / Outlet		2-digit 7-segment (Orange)	
	PDU / Bank / Outlet		3 (Green)	
	Current / Volt / P.D. /Sensor1-Sensor4 / FW Upgrade		3-digit 7-segment (Orange)	
	Current / Volt / P.D. / IP / Sensor1-Sensor4		7 (Green)	
	Door Open		1 (Red)	
	IP		1 (Green)	
	Power		1 (Blue)	
Switches	LED Display Select		1 x Pushbutton	
	PDU / Bank / Outlet Select		2 x Pushbutton	
	Reset		1 x Semi-recessed Pushbutton	
	Power		2 x Branch Breaker	
Nominal Input Power			100-240V~; 50-60Hz; 24A (UL), 30A (Max.)	
Nominal Input/Output Voltage			200-240 VAC	
Power Capacity			6.24kW	
Nominal Output Power	Per Port	IEC 320 C19	100-240V~; 50-60Hz; 12A (UL), 15A (Max.)	
		IEC 320 C13	100-240V~; 50-60Hz; 12A (UL), 15A (Max.)	
	Total		100-240V~; 50-60Hz; 24A (UL), 30A (Max.)	
Environment	Operating Temperature		0-50°C	
	Storage Temperature		-20-60°C	
	Humidity		0-80% RH Non-condensing	
Physical Properties	Housing		Metal	
	Weight		6.5 kg	
	Dimensions (L x W x H)		177.50 x 6.60 x 4.40 cm	

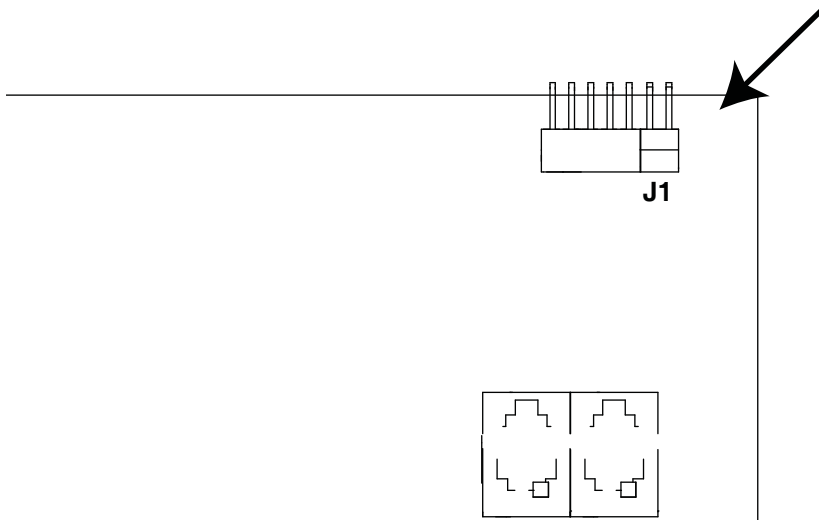
PE7324G / PE8324G

Function			PE7324G	PE8324G
Power Outlets	Direct		24	
Connectors	Power Cord		1 x IEC 309 32A	
	Power Outlets	IEC	Total: 21 x IEC 320 C13 + 3 x IEC 320 C19 Bank 1-1, Outlet 1–8: 7 x C13 + 1 x C19. Bank 1-2, Outlet 9–16: 7 x C13 + 1 x C19 Bank 2, Outlet 17–24: 7 x C13 + 1 x C19	
	Environment Sensors		4 x RJ-11 Female (Black)	
	Door Sensor		1 x 4-pin Dry Contact	
	LAN		1 x RJ-45 Female (Silver) + LEDs (Orange/ Green)	
LEDs	Outlet Status		NA	24 (Orange)
	PDU / Bank / Outlet		2-digit 7-segment (Orange)	
	PDU / Bank / Outlet		3 (Green)	
	Current / Volt / P.D. / Sensor1– Sensor4 / FW Upgrade		3-digit 7-segment (Orange)	
	Current / Volt / P.D. / IP / Sensor1–Sensor4		7 (Green)	
	Door Open		1 (Red)	
	IP		1 (Green)	
	Power		1 (Blue)	
Switches	LED Display Select		1 x Pushbutton	
	PDU / Bank / Outlet Select		2 x Pushbutton	
	Reset		1 x Semi-recessed Pushbutton	
	Power		2 x Non-fuse Breaker	
Nominal Input Power			100–240V~; 50–60Hz; 32A	
Nominal Input/Output Voltage			200–240 VAC	
Power Capacity			7.36kW	
Nominal Output Power	Per Port	IEC 320 C19	100–240V~; 50–60Hz; 15A (TUV), 16A (Max.)	
		IEC 320 C13	100–240V~; 50–60Hz; 10A	
	Total		100–240V~; 50–60Hz; 30A (TUV), 32A (Max.)	
Environment	Operating Temperature		0–40°C	
	Storage Temperature		-20–60°C	
	Humidity		0–80% RH Non-condensing	
Physical Properties	Housing		Metal	
	Weight		6.5 kg	
	Dimensions (L x W x H)		177.50 x 6.60 x 4.40 cm	

Administrator Login Failure

If you are unable to perform an Administrator login (because the Username and Password information has become corrupted, or you have forgotten it, for example), you can clear the login information with the following procedure:

1. Power off the eco PDU and remove its housing.
2. Short the jumper labeled J1 (PIN5 and PIN6).



3. Power on the eco PDU.
4. After the beep indicates successfully powered on, power off the switch.
5. Remove the jumper cap from J1.
6. Close the housing and start the eco PDU.
After you start, you can use the default Username and Password to log in.

Limited Warranty

ATEN warrants this product against defects in material or workmanship for a period of one (1) year from the date of purchase. If this product proves to be defective, contact ATEN's support department for repair or replacement of your unit. ATEN will not issue a refund. Return requests can not be processed without the original proof of purchase.

When returning the product, you must ship the product in its original packaging or packaging that gives an equal degree of protection. Include your proof of purchase in the packaging and the RMA number clearly marked on the outside of the package.

This warranty becomes invalid if the factory-supplied serial number has been removed or altered on the product.

This warranty does not cover cosmetic damage or damage due to acts of God, accident, misuse, abuse, negligence or modification of any part of the product. This warranty does not cover damage due to improper operation or maintenance, connection to improper equipment, or attempted repair by anyone other than ATEN. This warranty does not cover products sold AS IS or WITH FAULTS.

IN NO EVENT SHALL ATEN'S LIABILITY EXCEED THE PRICE PAID FOR THE PRODUCT. FURTHER, ATEN SHALL NOT BE RESPONSIBLE FOR DIRECT, INDIRECT, SPECIAL, INCIDENTAL OR CONSEQUENTIAL DAMAGES RESULTING FROM THE USE OF THE PRODUCT, ITS ACCOMPANYING SOFTWARE, OR ITS DOCUMENTATION. ATEN SHALL NOT IN ANY WAY BE RESPONSIBLE FOR, WITHOUT LIMITATION, LOSS OF DATA, LOSS OF PROFITS, DOWNTIME, GOODWILL, DAMAGE OR REPLACEMENT OF EQUIPMENT OR PROPERTY, AND ANY EXPENSES FROM RECOVERY, PROGRAMMING, AND REPRODUCTION OF ANY PROGRAM OR DATA.

ATEN makes no warranty or representation, expressed, implied, or statutory with respect to its products, contents or use of this documentation and all accompanying software, and specifically disclaims its quality, performance, merchantability, or fitness for any particular purpose.

ATEN reserves the right to revise or update its product, software or documentation without obligation to notify any individual or entity of such revisions, or update.

For details about extended warranties, please contact one of our dedicated value added resellers