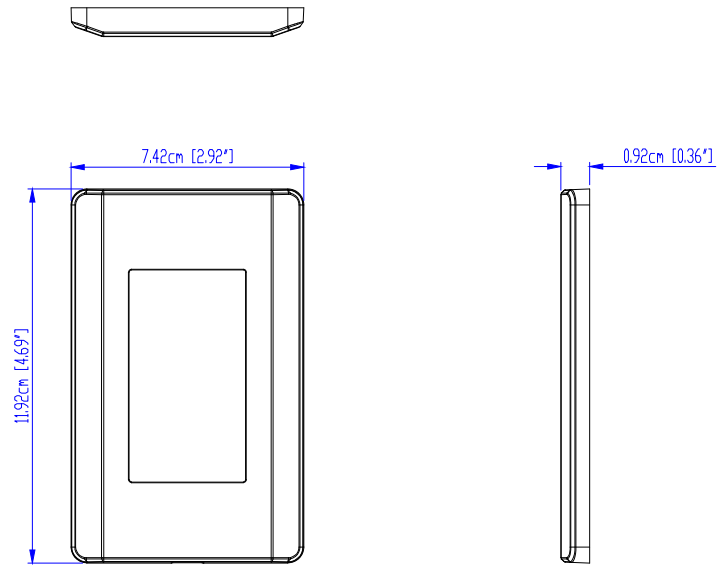
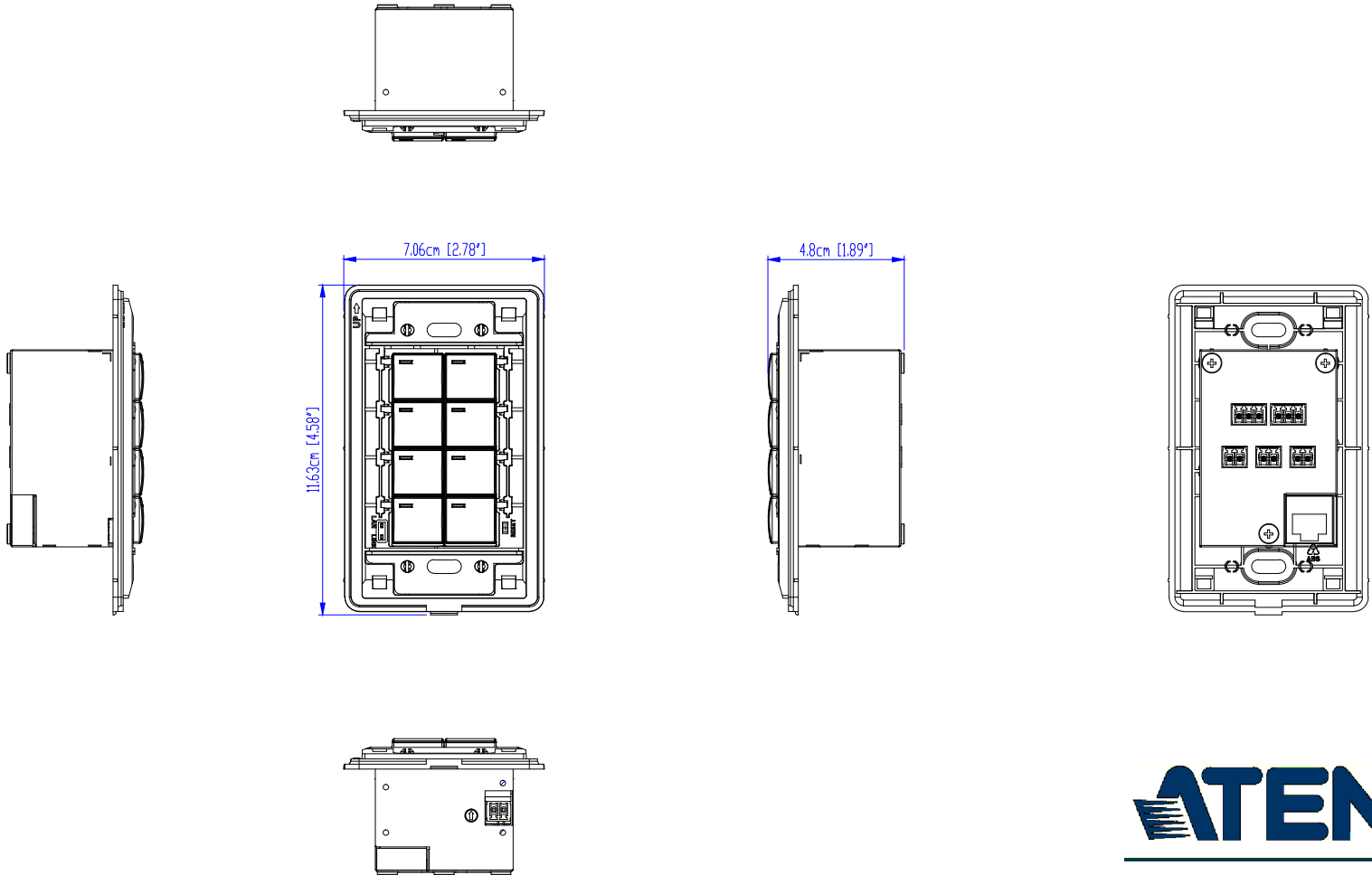


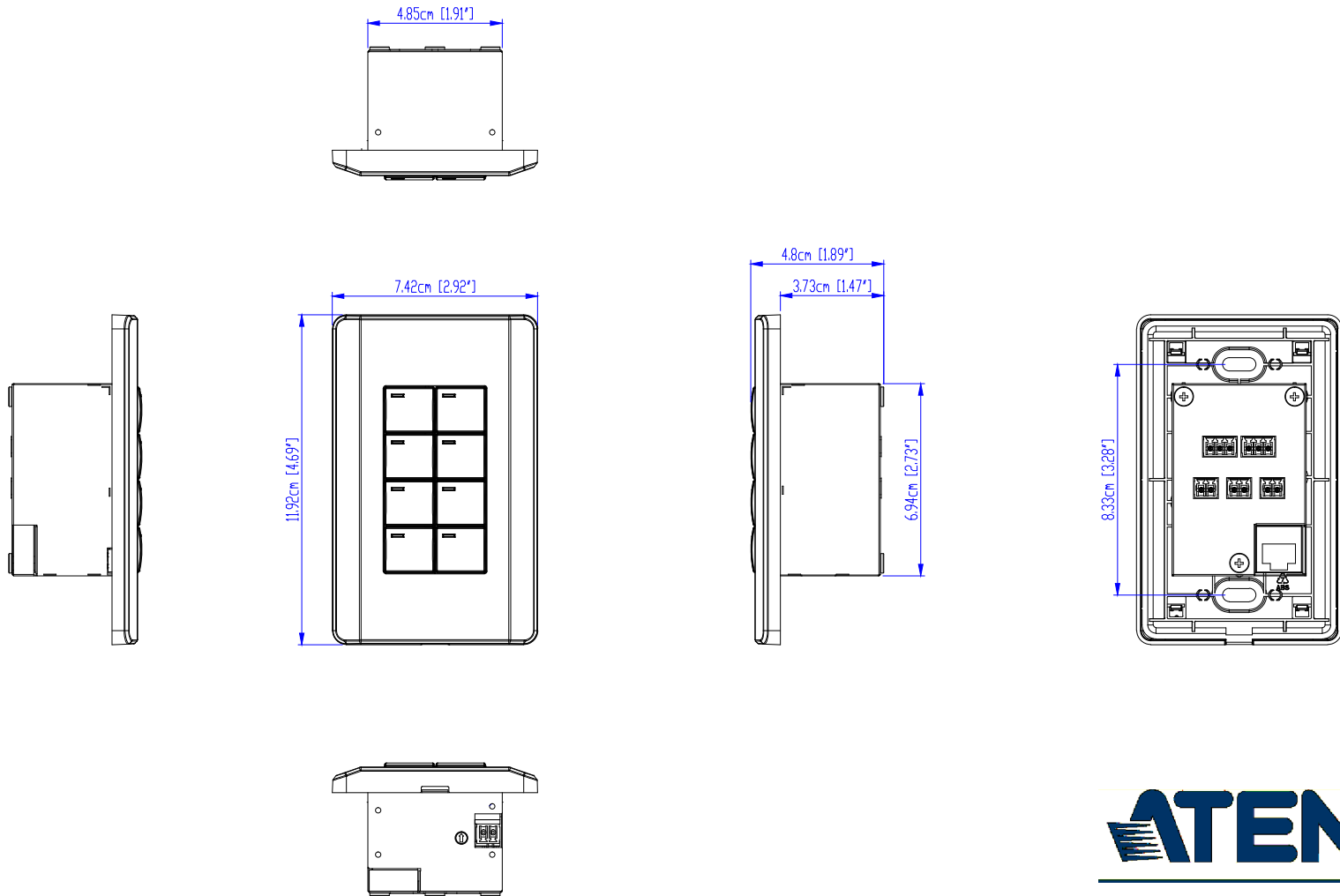
# CAD Drawings



**ATEN**  
VK0100

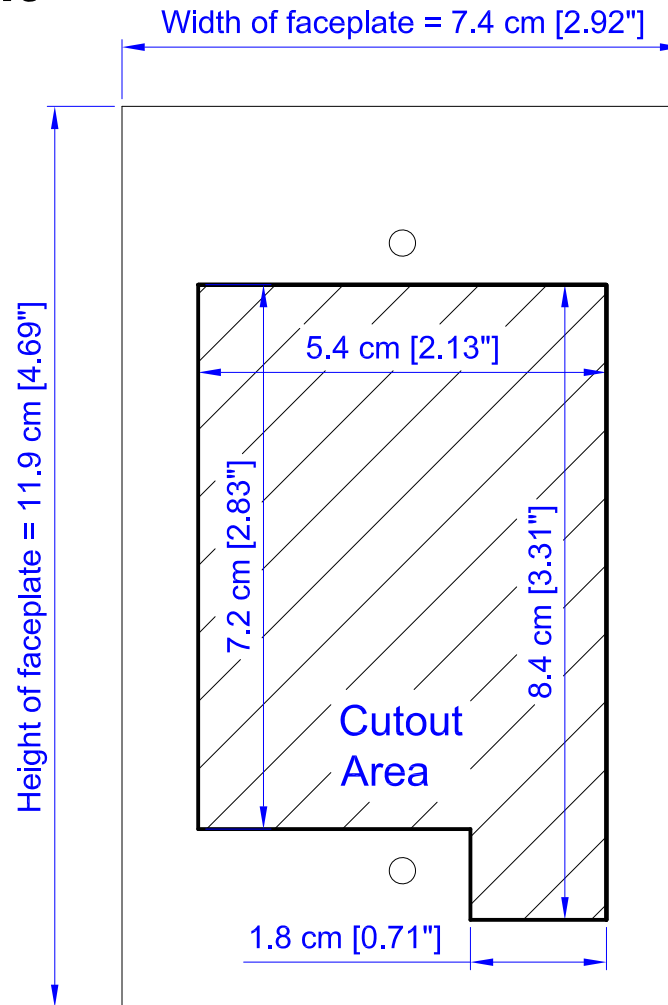


**ATEN**  
**VK0100**



**ATEN**  
**VK0100**

# Panel Mount Cutout



**Note:** ATEN recommends a 1-gang wall box with a depth of at least 5 cm (1.97 inches) to accommodate the connectors and cables.

