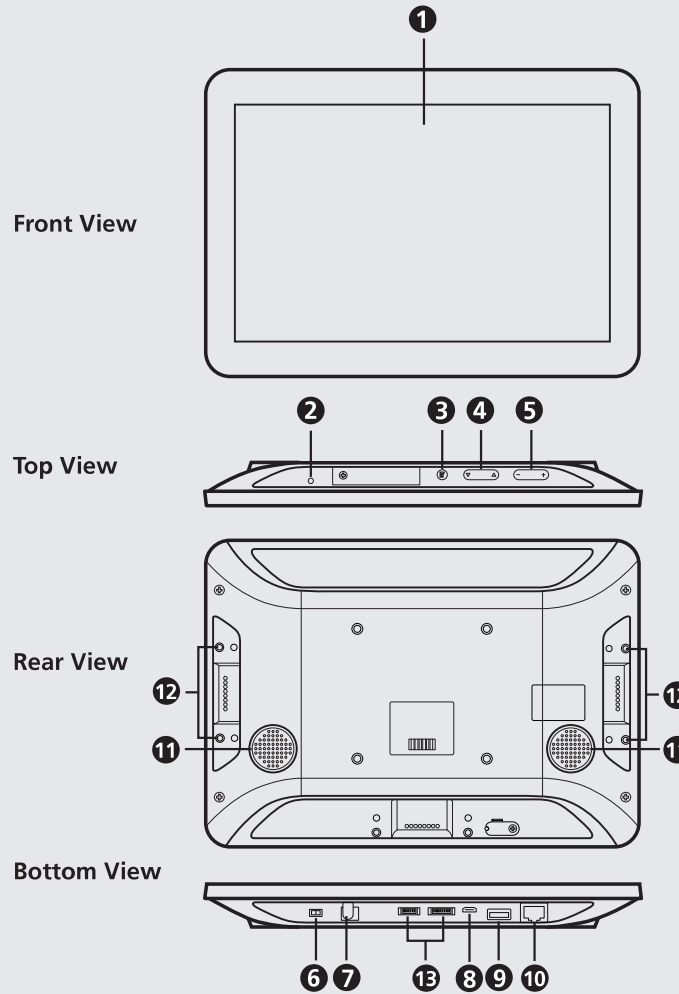


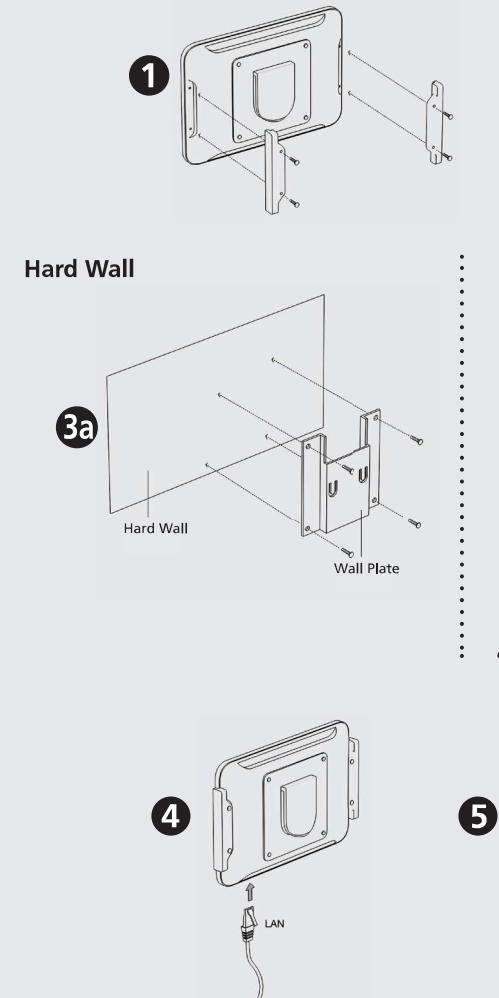
ATEN VanCryst™
VK430
10.1" RBS Panel
Quick Start Guide

© Copyright 2021 ATEN® International Co. Ltd.
ATEN and the ATEN logo are registered trademarks of ATEN International Co., Ltd.
All rights reserved. All other trademarks are the property of their respective owners.
Released: 10/2021

A Hardware Overview



B Installation



A Hardware Overview

- 1 touch screen
- 2 status LED
- 3 function button
- 4 brightness + / -
- 5 volume + / -
- 6 power switch

B Installation

The ATEN VK430 RBS Panel comes preinstalled with a wall mount. It is also compatible with any VESA-compliant (75 x 75 mm) mounting accessory. Follow the steps below to install and mount the VK430 onto a wall.

- 1 Secure the 2 LED bars onto the sides of the VK430 using the 4 LED bar screws provided.
- 2 Slightly bend the mounting plate outward to detach it from the VK430.

- 4 Using an Ethernet cable, connect the unit's LAN port to a PoE injector to provide power and access to the network.
- 5 Place the VK430 onto the wall by sliding and attaching it to the mounting plate.
- 6 Turn on the unit by switching its power switch to ON. The status LEDs shall light green.