

VPK104

4-Key Contact Closure Remote Pad Quick Start Guide

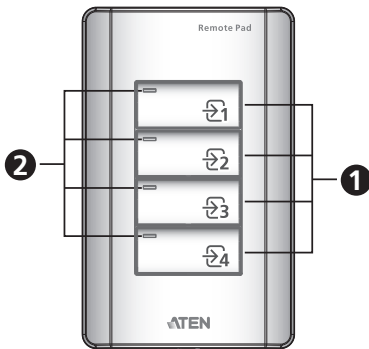
Package Contents

- 1 VPK104 4-Key Contact Closure Remote Pad
- 4 4-pole Terminal Blocks
- 1 User Instructions

Hardware Review

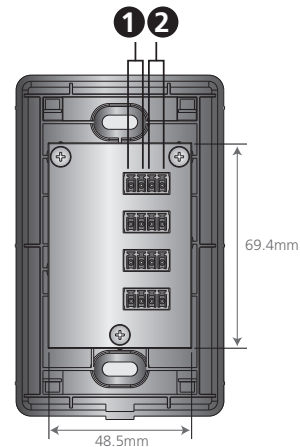
Front View

- 1 Source Selection Buttons
- 2 Status LEDs



Rear View

- 1 LED In Port
- 2 Contact Out Port



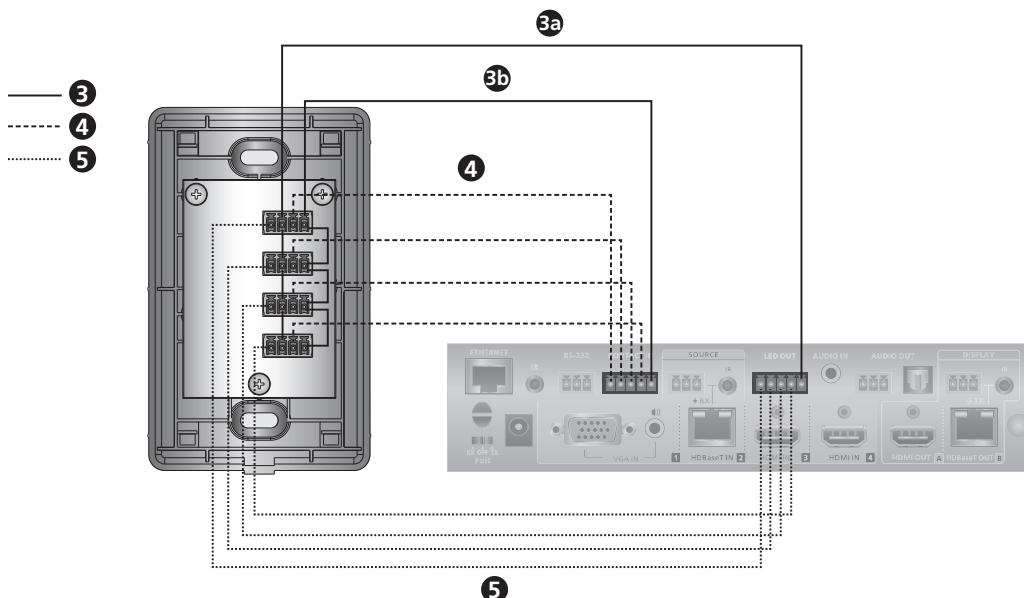
Side View



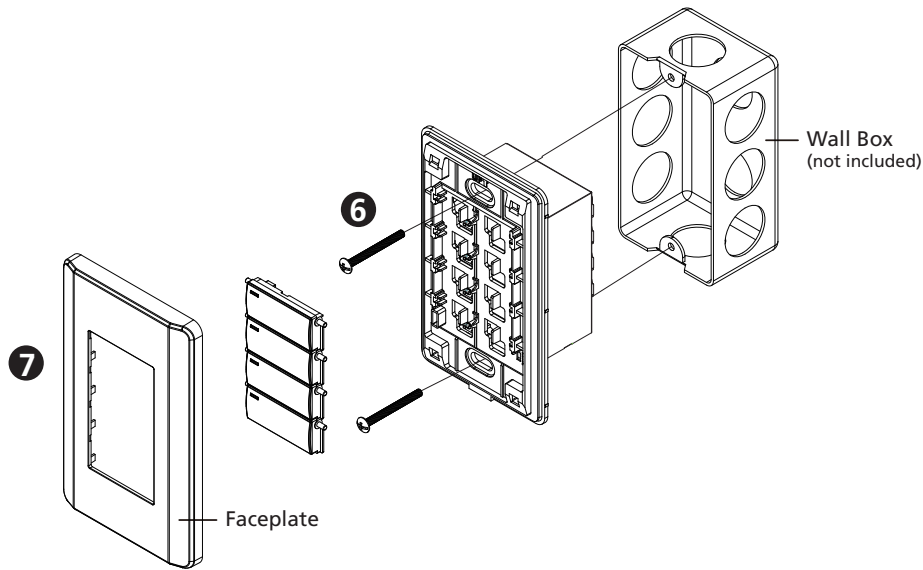
Hardware Installation

Before you start, prepare 2 screws, 1 wall box, and some core wires.

- 1 (Optional) Prepare your installation site and install a Wall Box.
- 2 Remove the faceplate from the Remote Pad.
- 3 Ground the Remote Pad.
 - (a) Use core wires to serially connect the Remote Pad's LED In (-) poles to the GND pole (⊖) of the LED Out terminal on the Presentation Switch.
 - (b) Use core wires to serially connect the Remote Pad's Contact Out (-) poles to the GND pole (⊖) of the Contact In terminal on the Presentation Switch.
- 4 Use a core wire to connect the Remote Pad's LED In Port 1 (+) to the LED Out pole 1 on the Presentation Switch. Repeat this step for other LED In Ports.
- 5 Use a core wire to connect the Remote Pad's Contact Out Port 1 (+) to the Contact In pole 1 on the Presentation Switch. Repeat this step for other Contact Out Ports.



- 6 Make sure the keys are installed to the VPK104 and then secure the unit to the wall box using two screws.
- 7 Cover the unit with the faceplate.



Software Configuration

Once connected to a supported ATEN Presentation Switch, the Remote Pad defaults to control the source selection for Display A. To change this setting, go to the web interface of the Presentation Switch and configure the Target of Contact Closure setting.

Operation

Press a button once to switch the display to the corresponding source. The button's status LED lights green.

Support and Documentation Notice

All information, documentation, firmware, software utilities, and specifications contained in this package are subject to change without prior notification by the manufacturer.

To reduce the environmental impact of our products, ATEN documentation and software can be found online at

<http://www.aten.com/download/>

Technical Support

www.aten.com/support



Scan for
more information



Important. Before proceeding, download the *Installation and Operation Manual* by visiting the website, www.aten.com and navigating to the product page. The manual includes important warnings, loading specifications and grounding instructions.

© Copyright 2019 ATEN® International Co., Ltd.

ATEN and the ATEN logo are trademarks of ATEN International Co., Ltd. All rights reserved. All other trademarks are the property of their respective owners.

This product is RoHS compliant.