

Autonics ROTARY ENCODER (INCREMENTAL TYPE) E58 SERIES INSTRUCTION MANUAL



Thank you for choosing our Autonics product.
Please read the following safety considerations before use.

■ Safety Considerations

※ Please observe all safety considerations for safe and proper product operation to avoid hazards.
※ ⚠ symbol represents caution due to special circumstances in which hazards may occur.

⚠ Warning Failure to follow these instructions may result in serious injury or death.
⚠ Caution Failure to follow these instructions may result in personal injury or product damage.

⚠ Warning

- Fail-safe device must be installed when using the unit with machinery that may cause serious injury or substantial economic loss.** (e.g. nuclear power control, medical equipment, ships, vehicles, railways, aircraft, combustion apparatus, safety equipment, crime/disaster prevention devices, etc.)
Failure to follow this instruction may result in personal injury, economic loss or fire.
- Do not use the unit in the place where flammable/explosive/corrosive gas, humidity, direct sunlight, radiant heat, vibration, impact, or salinity may be present.**
Failure to follow this instruction may result in explosion or fire.
- Install on a device panel to use.**
Failure to follow this instruction may result in fire.
- Do not connect, repair, or inspect the unit while connected to a power source.**
Failure to follow this instruction may result in fire.
- Check 'Connections' before wiring.**
Failure to follow this instruction may result in fire.
- Do not disassemble or modify the unit.**
Failure to follow this instruction may result in fire.

⚠ Caution

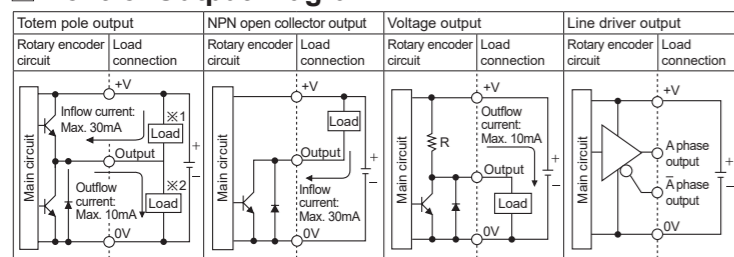
- Use the unit within the rated specifications.**
Failure to follow this instruction may result in fire or product damage.
- Do not short the load.**
Failure to follow this instruction may result in fire.
- Do not use the unit near the place where there is the equipment which generates strong magnetic force or high frequency noise and strong alkaline, strong acidic exists.**
Failure to follow this instruction may result in product damage.

■ Ordering Information

E58SC		10	-	8000	-	3	-	N	-	24	-
Series	Diameter Ø58mm	Shaft diameter	Pulses/Revolution	Output phase	Control output	Power supply	Cable*1				
SC	Shaft Clamping	External	10	Ø10mm	Refer to resolution	2: A, B 3: A, B, Z 4: A, A, B, B 6: A, A, B, B, Z, Z	T: Totem pole output N: NPN open collector output V: Voltage output L: Line driver output	5: 5VDC ±5% 24: 12-24VDC ±5%	No mark: Axial/Radial cable type C: Axial/Radial cable connector type CR: Axial connector type CS: Radial connector type		
SS	Shaft Synchro	6	Ø6mm								
H	Hollow	Inner	12	Ø12mm							
HB	Hollow Built-in										

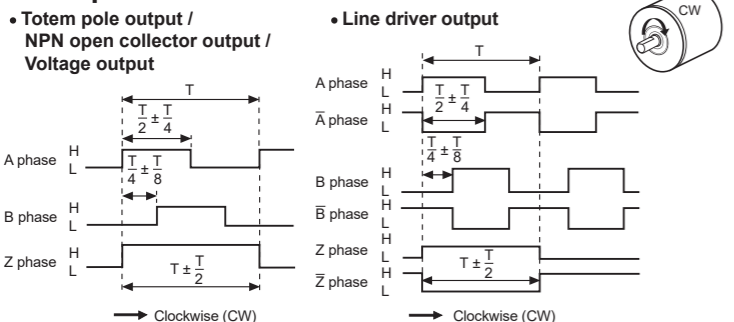
※1: Please refer to 'connection' in the specifications for the detailed information about cable.

■ Control Output Diagram



※All output circuits of A, B, Z phase are the same. (line driver output is A, A, B, B, Z, Z)
※Totem pole output type can be used for NPN open collector type (※1) or voltage output type (※2).

■ Output Waveforms



※The above specifications are subject to change and some models may be discontinued without notice.
※Be sure to follow cautions written in the instruction manual, and the technical descriptions (catalog, homepage).

■ Specifications

Item	Diameter Ø58mm incremental rotary encoder
Model	Totem pole output: E58□□-□□-3-T-□□
	NPN open collector output: E58□□-□□-3-N-□□
	Voltage output: E58□□-□□-3-V-□□
	Line driver output: E58□□-□□-3-L-□□
Resolution (PPR)*1	*1, *2, *5, 10, *12, 15, 20, 23, 25, 30, 35, 40, 45, 50, 60, 75, 100, 120, 125, 150, 192, 200, 240, 250, 256, 300, 360, 400, 500, 512, 600, 800, 1000, 1024, 1200, 1500, 1800, 2000, 2048, 2500, 3000, 3600, 5000, 6000, 8000
Output phase	A, B, Z phase (line driver output: A, A, B, B, Z, Z phase)
Phase difference of output	Output between A and B phase: $\frac{T}{4} \pm \frac{T}{8}$ (T=1 cycle of A phase)
Electrical specification	Totem pole output
	NPN open collector output
	Voltage output
	Line driver output
Response time (rise, fall)	Max. 1µs (cable length: 2m, I sink = 20mA)
Max. response frequency	300kHz
Power supply	• 5VDC ±5% (ripple P-P: max. 5%) • 12-24VDC ±5% (ripple P-P: max. 5%)
Current consumption	Max. 80mA (disconnection of the load), Line driver output: max. 50mA (disconnection of the load)
Insulation resistance	Over 100MΩ (at 500VDC megger between all terminals and case)
Dielectric strength	750VAC 50/60Hz for 1 min (between all terminals and case)
Mechanical specification	Starting torque
	Moment of inertia
Vibration	Shock
	Environment
Protection structure	Cable
	Accessory
Approval	Weight
	Connector type

※1: "*" pulse is only for A, B phase. (line driver output is for A, A, B, B phase)
(In case of hollow shaft type, 6000, 8000 PPR excluded) Not indicated resolutions are customizable.

※2: Make sure that Max. response resolution should be lower than or equal to max. allowable revolution when selecting the resolution.

※3: The weight includes packaging. The weight in parenthesis is for unit only.
※Environment resistance is rated at no freezing or condensation.

■ Connections

○ Axial/Radial Cable type

• Totem pole output / NPN open collector output / Voltage output

• Line driver output

○ Axial/Radial cable connector type / Axial/Radial connector type

• Totem pole output / NPN open collector output / Voltage output

• Line driver output

Pin No.	Function	Cable color	Pin No.	Function	Cable color
1	OUT A	Black	1	OUT A	Black
2	OUT B	White	2	OUT A	Red
3	OUT Z	Orange	3	+V	Brown
4	+V	Brown	4	GND	Blue
5	GND	Blue	5	OUT B	White
6	F.G.	Shield	6	OUT B	Gray
			7	OUT Z	Orange
			8	OUT Z	Yellow
			9	F.G.	Shield

※ Unused wires must be insulated.
※ The metal cable and shield cable of encoder should be grounded (F.G.)
※ Do not apply tensile strength over 30N to the cable.

■ Dimensions

○ Shaft clamping type (SC) (unit: mm)

○ Shaft synchro type (SS)

○ Hollow type (H)

○ Hollow built-in type (HB)

○ Axial/Radial cable connector type

Cable for Axial/Radial cable connector type
Ø5mm, 5-wire (line driver output: 8-wire), 250mm, Shield cable

○ Bracket

• SC type (unit: mm)

• SS type (unit: mm)

• H/HB type (unit: mm)

○ Coupling

• E58SC10

• E58SS6

• Parallel misalignment: max. 0.25mm
• Angular misalignment: max. 5°
• End-play: max. 0.5mm

※ Do not load overweight on the shaft.
※ For flexible coupling (ERB series) information, refer to catalogue.
※ Do not put strong impact when insert a coupling into shaft.
Failure to follow this instruction may result in product damage.
※ Fix the unit or a coupling by a wrench under 0.15 N.m of torque.
※ When you install this unit, if eccentricity and deflection angle are larger, it may shorten the life cycle of this unit.

○ Connector cable (sold separately)

• CID6S-2, CID6S-5, CID6S-10 (Totem pole output / NPN open collector output / Voltage output)

• CID9S-2, CID9S-5, CID9S-10 (line driver output)

Model	Cable length
CID6S-2	2m
CID6S-5	5m
CID6S-10	10m
CID9S-2	2m
CID9S-5	5m
CID9S-10	10m

※A

■ Cautions during Use

- Follow instructions in 'Cautions during Use'. Otherwise, It may cause unexpected accidents.
- 5VDC, 12-24VDC power supply should be insulated and limited voltage/current or Class 2, SELV power supply device.
- For using the unit with the equipment which generates noise (switching regulator, inverter, servo motor, etc.), ground the shield wire to the F.G. terminal.
- Ground the shield wire to the F.G. terminal.
- When using switching mode power supply, frame ground (F.G.) terminal of power supply should be grounded.
- Wire as short as possible and keep away from high voltage lines or power lines, to prevent inductive noise.
- For Line driver unit, use the twisted pair wire which is attached seal and use the receiver for RS-422A communication.
- Check the wire type and response frequency when extending wire because of distortion of waveform or residual voltage increment etc by line resistance or capacity between lines.
- This unit may be used in the following environments.
 - Indoors (in the environment condition rated in 'Specifications')
 - Altitude max. 2,000m
 - Pollution degree 2
 - Installation category II

■ Major Products

- Photoelectric Sensors
- Fiber Optic Sensors
- Door Sensors
- Door Side Sensors
- Area Sensors
- Proximity Sensors
- Pressure Sensors
- Rotary Encoders
- Connector/Sockets
- Switching Mode Power Supplies
- Control Switches/Lamps/Buzzers
- I/O Terminal Blocks & Cables
- Stepper Motors/Drivers/Motion Controllers
- Graphic/Logic Panels
- Field Network Devices
- Laser Marking System (Fiber, CO₂, Nd: YAG)
- Laser Welding/Cutting System
- Temperature Controllers
- Temperature/Humidity Transducers
- SSRs/Power Controllers
- Counters
- Timers
- Panel Meters
- Tachometer/Pulse (Rate) Meters
- Display Units
- Sensor Controllers

Autonics Corporation
http://www.autonics.com

■ HEADQUARTERS:
18, Bansongro 513 beon-gil, Haeundae-gu, Busan, South Korea, 48002
TEL: 82-51-519-3232
E-mail: sales@autonics.com