

86mm Bulb type Warning Signal Light

MENICS
SIGNALTECHNIK

ASG/APG SERIES



INSTRUCTION MANUAL

Thank you very much for selecting Menics products. Please read this manual carefully before you use this unit.

◆ Feature

- Bright light by prism cut design of the lens.
- Strong flash by rotation reflector.
- Standard step color: RED , YELLOW , GREEN , BLUE

◆ Ordering Information

ASGB - 10 - R

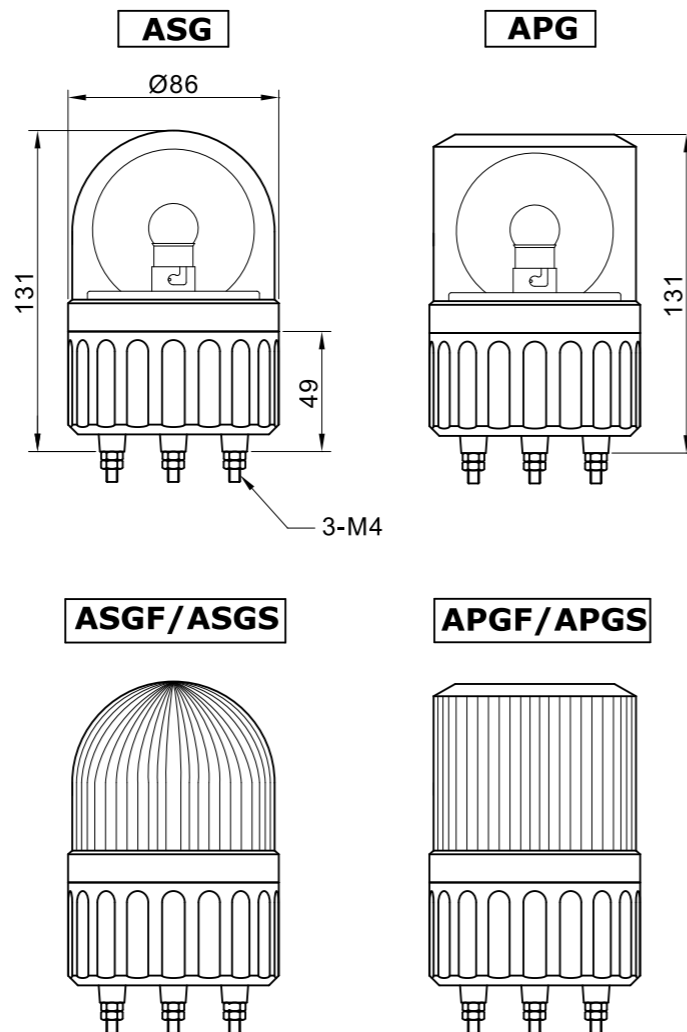
	Lens Color
	R-red, Y-yellow, G-green, B-blue
	Power supply
01	: 12VAC/DC
02	: 24VAC/DC
10	: 110VAC
20	: 220VAC
FF	: 110-220VAC
	Option
No mark	: Rotating (Smooth Lens)
B	: Rotating+Buzzer (Smooth Lens)
F	: Flashing (Prism Lens)
S	: Xenon Strobe Lamp (Prism Lens)
	- 110V, 220V only available
	Series

ASG: 86mm Bulb type Warning Signal Light (Dome lens)
APG: 886mm Bulb type Warning Signal Light (Flat lens)



◆ External Dimensions

(UNIT : mm)



◆ Specification

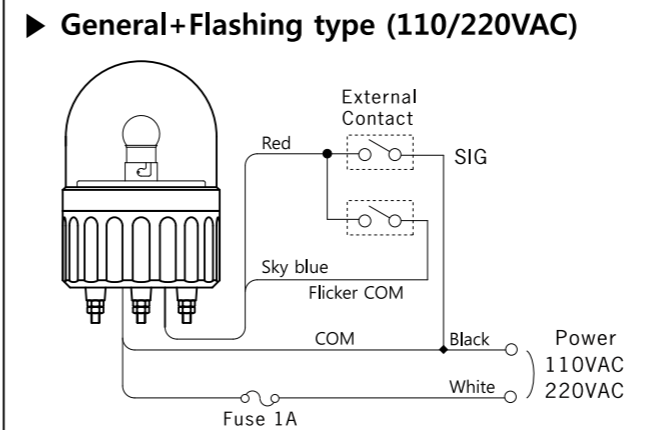
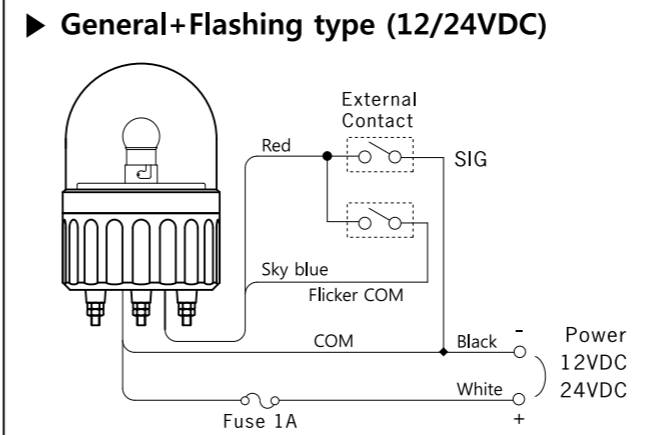
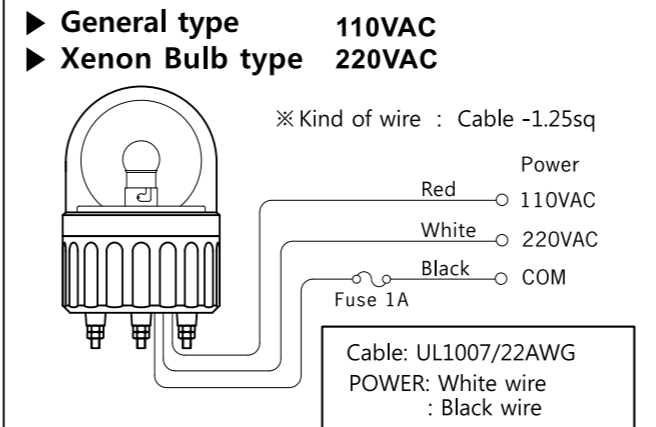
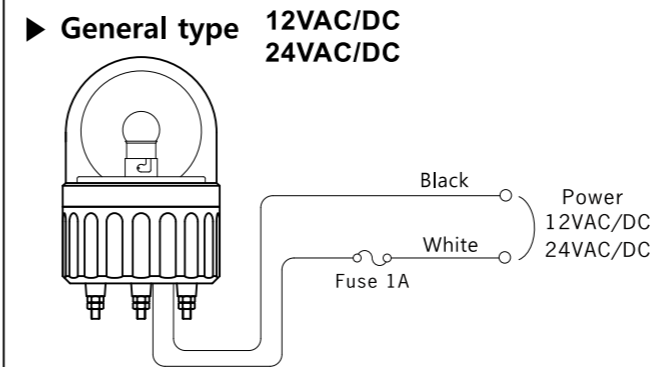
Model	Voltage	Current	Rotation	Bulb
ASG	12VAC/DC	0.67 A	130rpm ±10%	12V 8W
APG	24VAC/DC	0.33 A		24V 8W
ASGB	12VAC/DC	0.67 A		12V 8W
APGB	24VAC/DC	0.33 A		24V 8W
ASG	110/220V AC	0.4 A	Flashing 80/Min	12V 5W
APG	110/220V AC	0.4 A		12V 5W
ASGB-FF	110/220V AC	0.4 A	Flashing 80/Min	12V 5W
APGB-FF	110/220V AC	0.4 A		12V 5W
ASGF	12VDC	0.67 A		12V 8W
APGF	24VDC	0.33 A		24V 8W
ASGF	AC110V	0.07 A	Flashing 80/Min	130V 8W
APGF	AC220V	0.03 A		240V 8W
ASGS	AC110V	0.22 A	Flashing 80/Min	130V 8W
APGS	AC220V	0.11 A		240V 8W

◆ Bulb Replacement Parts

Only Flashing	
12V type	MAM-T15-S-012-08
24V type	MAB-T15-S-024-08
110V type	MAB-T15-S-130-08
220V type	MAB-T15-S-240-08
Only Rotating	
12V type	MAM-T15-S-012-08
24V type	MAB-T15-S-024-08
110V type	MAB-T15-S-012-05
220V type	MAB-T15-S-012-05
110/220V Free Voltage type (Rotating type)	
110/220V type	MAB-T15-S-012-05

Energy Used: 8 watts	Energy Used: 5 watts
Base Type: Single Contact (BA15S)	Base Type: Single Contact (BA15S)
Color / Finish: Clear	Color / Finish: Clear
Length: 45mm	Length: 35mm
Width: 16mm	Width: 19mm

◆ Connection

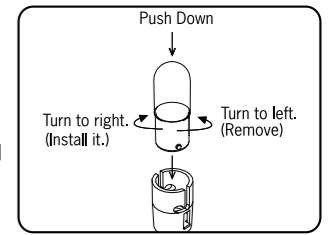


- ※ Do not connect wire between buzzer and flicker common.
- ※ Insulation needed.
- ※ Kind of wire: Signal0.25sq

◆ Change Bulb

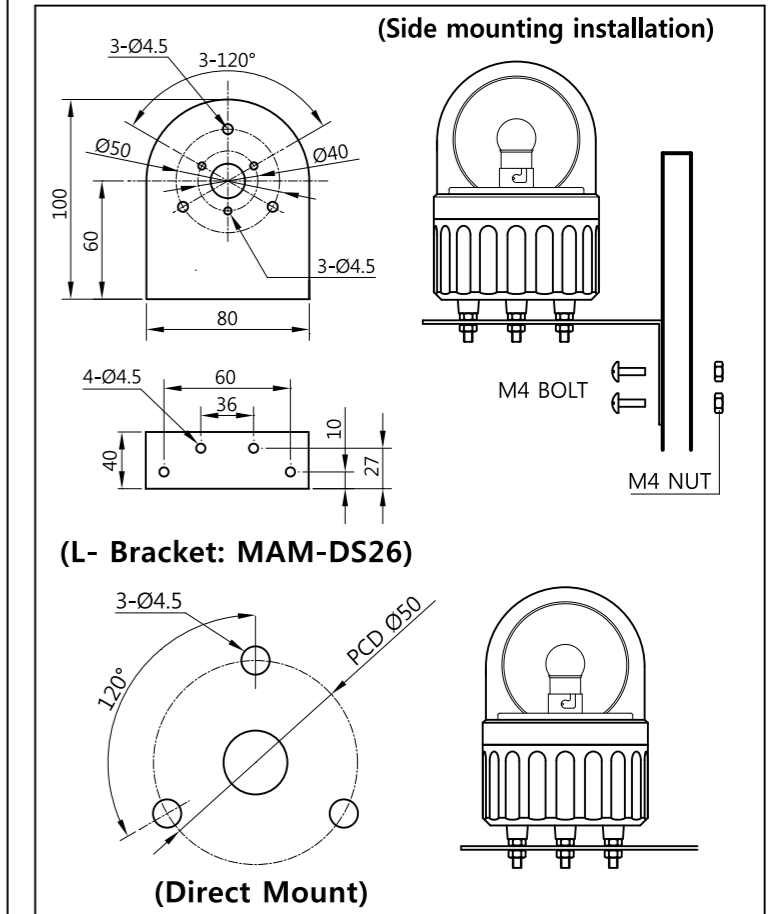
Please follow the procedure mentioned below to change the bulb.

- ① Make sure power is turned off when changing lens.
- ② Remove lens.
- ③ The bulb can be easily removed by pressing it downward to turn to left.
- ④ The new bulb can be easily installed by pressing it downward to turn to right.
- ⑤ Install lens.



◆ Inatallation

(UNIT : mm)



▲ Cautions

- ▶ Make sure power is turned off and the temperature of electric bulb falls down for repair to avoid electric shock and burn.
- ▶ When you repair this product as color reformation, power must be turned off to avoid electrical shock.
- ▶ Follow wiring diagrams carefully. Miswiring could damage the internal circuit, buzzer circuit or cause the unit to be inoperative.
- ▶ Check the power voltage with allowable rate.
- ▶ Do not expose the tower or any of it's component parts to thinners or other strong solvents.
- ▶ Do not modify any components or specifications from our standards.
- ▶ Never pull on the wire.
- ▶ Be sure to use crimp type terminal connectors.
- ▶ Do not impact.

MENICS
SIGNALTECHNOLOGY

118-1, Ungbigongdan-gil, Yangsan-si, Gyeongsangnam-do, Korea, 50524
TEL : 82-55-371-5200 FAX: 82-55-371-5202
http://www.menics.co.kr E-mail: menics@chol.com