

# CT Series

## DIN W48×H48mm, W72×H36mm, W72×H72mm Counter/Timer

### ■ Features

- Prescale value setting range – 6-digit model: 0.00001 to 99999.9 / 4-digit model: 0.001 to 999.9
- Communication function supported (communication model): RS485 (Modbus RTU)
- One-shot output time setting range - 0.01 sec. to 99.99 sec. by setting per 10ms
- [Counter]
  - 9 input modes/11 output modes
  - BATCH counter,
  - Count Start Point (counting initial value) setting function
- [Timer]
  - 11 output modes
  - Various time setting range– 6-digit model: 0.001 sec. to 99999.9 hour / 4-digit model: 0.001 sec. to 9999 hour
  - '0' time setting function
  - Selectable timer memory retention function for indicator model.



**⚠ Please read "Caution for your safety" in operation manual before using.**



### ■ DAQMaster (Comprehensive Device Management Program)

- DAQMaster is comprehensive device management program for convenient management of parameters and multiple device data monitoring.
- Visit our website ([www.autonics.com](http://www.autonics.com)) to download user manual and comprehensive device management program.

< DAQMaster screen >



Item	Minimum requirements
System	IBM PC compatible computer with Intel Pentium III or above
Operations	Microsoft Windows 98/NT/XP/Vista/7/8/10
Memory	256MB+
Hard disk	1GB+ of available hard disk space
VGA	Resolution: 1024×768 or higher
Others	RS-232 serial port (9-pin), USB port

### ■ Ordering Information

Item	Display digits	Size	Output	Power supply	Communication	No-mark	None
CT	4	S	1P	2	T		None
	6	Y	2P	4			RS 485 communication output
		M	I <sup>※1</sup>				24VAC 50/60Hz, 24-48VDC
							100-240VAC 50/60Hz
							1-stage preset
							2-stage preset
							Indicator
							DIN W48 × H48mm
							DIN W72 × H36mm
							DIN W72 × H72mm
							9999 (4-digit)
							999999 (6-digit)
							Counter/Timer

※1: CT4S model does not support indicator type.



### ■ Communication Specification

Comm. protocol	Modbus RTU with 16-bit CRC
Connection type	RS485
Application standard	Compliance with EIA RS485
Max. connection	31 units (address: 1 to 127)
Synchronous method	Asynchronous
Comm. type	Two-wire half duplex
Comm. distance	Max. 800 m
Comm. speed	2400, 4800, 9600 (factory default), 19200, 38400bps
Comm. response time	5 to 99ms (factory default: 20ms)
Start bit	1-bit (fixed)
Data bit	8-bit (fixed)
Parity bit	None (factory default), Even, Odd
Stop bit	1, 2-bit (factory default: 2-bit)

※It is recommended to use communication converter, RS485 to Serial converter (SCM-38I, sold separately), USB to RS485 converter (SCM-US48I, sold separately). Please use a proper twist pair for RS485 communication.

# Programmable Counter/Timer

## ■ Specifications

Series		CTS		CTY		CTM		
Model	1-stage preset	CT4S-1P□□	CT6S-1P□□	CT6Y-1P□□	CT6M-1P□□			
	2-stage preset	CT4S-2P□□	CT6S-2P□□	CT6Y-2P□□	CT6M-2P□□			
	Indicator	—	CT6S-I□□	CT6Y-I□□	CT6M-I□□			
Display digits		4-digit	6-digit	6-digit	6-digit			
Display method		7 segment (counting value: red, setting value: yellow-green) LED method						
Character size(W×H)	Counting value	6.5×10mm	4.5×10mm	4.2×9.5mm		6.6×13mm		
	Setting value	4.5×8mm	3.5×7mm	3.5×7mm		5×9mm		
Power supply	AC voltage	100-240VAC 50/60Hz						
	AC/DC voltage	24VAC 50/60Hz, 24-48VDC						
Permissible voltage range		90 to 110% of rated voltage						
Power consumption	AC voltage	Max. 12VA						
	AC/DC voltage	AC: Max. 10VA, DC: Max. 8W						
Counter	INA/INB Max. counting speed	Selectable 1cps/30cps/1kcps/5kcps/10kcps						
	Counting range	-999 to 9999	-99999 to 999999					
	Scale	Decimal point up to third digit	Decimal point up to fifth digit					
	Min. signal width	RESET signal: Selectable 1ms/20ms						
Timer	Time range	999.999s, 9999.99s, 99999.9s, 999999s, 99m59.99s, 999m59.9s, 9999m59s, 99999.9m, 999999m, 99h59m59s, 9999h59m, 99999h						
	Operation method	Count up, Count down, Count Up/Down						
	Min. signal width	INA, INH, RESET signal: Selectable 1ms/20ms				INA, RESET, INHIBIT, BATCH RESET signal: Selectable 1ms/20ms		
	Repeat error	In case of power ON start: Max. ±0.01% ±0.05s In case of signal start: Max. ±0.01% ±0.03s						
	Set error							
	Voltage error							
Temp. error								
Input method		Selectable voltage input or no-voltage input [Voltage input]-input impedance: 5.4kΩ, [H]: 5-30VDC, [L]: 0-2VDC [No-voltage input]-short-circuit impedance: Max. 1kΩ, short-circuit residual voltage: Max. 2VDC						
One-shot output time		0.01s to 99.99s setting						
Control output	Contact output	Type	1-stage	Standard		Comm.		
			2-stage	Standard		Comm.		
		Capacity	250VAC 5A resistive load		250VAC 3A resistive load		250VAC 5A resistive load	
	Solid state output (NPN open collector)	Type	1-stage	1	—	1	2	2
			2-stage	—	—	—	3	—
Capacity	Max. 30VDC, 100mA							
External power supply	Max. 12VDC ±10%, 100mA							
Memory retention	Approx. 10 years (non-volatile memory)							
Insulation resistance	Over. 100MΩ (at 500VDC megger)							
Dielectric strength	2,000VAC 50/60Hz for 1 min.							
Noise resistance	Square-wave noise by noise simulator (pulse width 1μs) ±2kV							
Vibration	Mechanical	0.75mm amplitude at frequency of 10 to 55Hz (for 1 min.) in each X, Y, Z direction for 1 hour						
	Malfunction	0.5mm amplitude at frequency of 10 to 55Hz (for 1 min.) in each X, Y, Z direction for 10 minutes						
Shock	Mechanical	300m/s <sup>2</sup> (approx. 30G) in each X, Y, Z direction for 3 times						
	Malfunction	100m/s <sup>2</sup> (approx. 10G) in each X, Y, Z direction for 3 times						
Relay life cycle	Mechanical	Min. 10,000,000 operations						
	Malfunction	Min. 100,000 operations						
Protection structure	IP65 (front part, IEC standards)							
Environmental	Ambient temp.	-10 to 55°C, storage: -25 to 65°C						
	Ambient humi.	35 to 85%RH, storage: 35 to 85%RH						
Approval	CE .  							
Weight*1	Approx. 212g (approx. 159g)		Approx. 228g (approx. 140g)		Approx. 322g (approx. 252g)			

\*1: The weight includes packaging. The weight in parentheses is for unit only.

※Environment resistance is rated at no freezing or condensation.

(A) Photoelectric Sensors

(B) Fiber Optic Sensors

(C) Door/Area Sensors

(D) Proximity Sensors

(E) Pressure Sensors

(F) Rotary Encoders

(G) Connectors/ Sockets

(H) Temperature Controllers

(I) SSRs / Power Controllers

(J) Counters

(K) Timers

(L) Panel Meters

(M) Tacho / Speed / Pulse Meters

(N) Display Units

(O) Sensor Controllers

(P) Switching Mode Power Supplies

(Q) Stepper Motors & Drivers & Controllers

(R) Graphic/ Logic Panels

(S) Field Network Devices

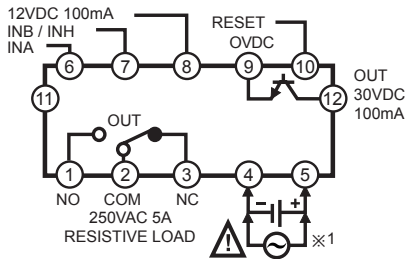
(T) Software

# CT Series

## Connections

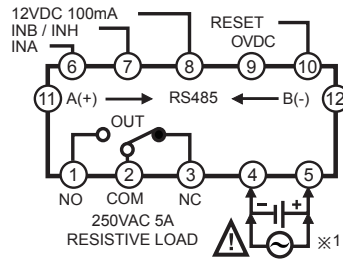
### CTS Series

#### CT□S-1P□

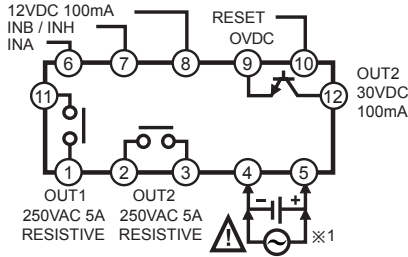


⚠ Be sure that connection is varied by supporting RS485 communication.

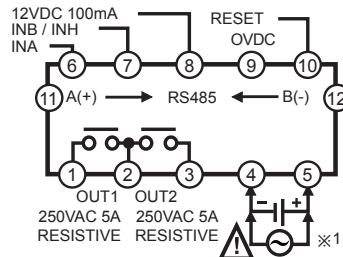
#### CT□S-1P□T



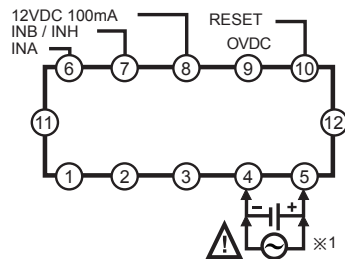
#### CT□S-2P□



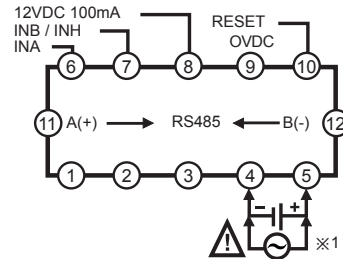
#### CT□S-2P□T



#### CT6S-□□

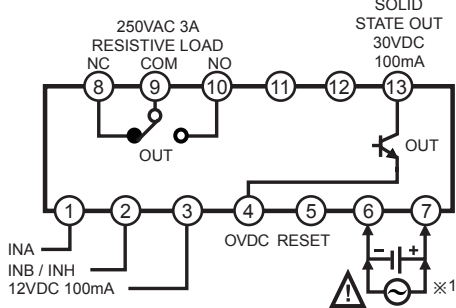


#### CT6S-□□T

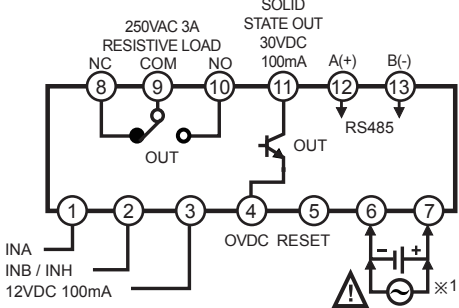


### CTY Series

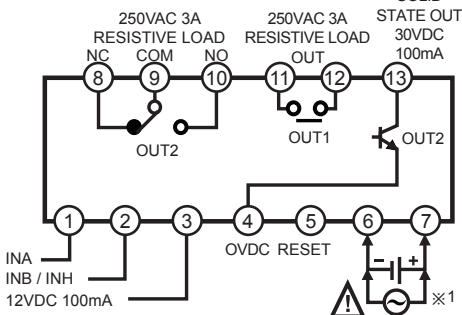
#### CT6Y-1P□



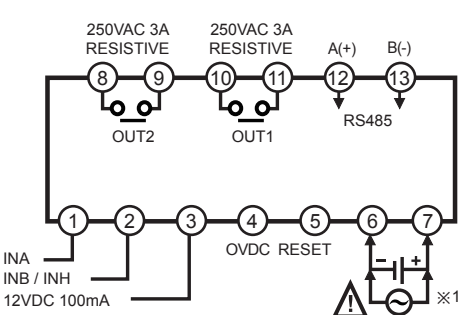
#### CT6Y-1P□T



#### CT6Y-2P□

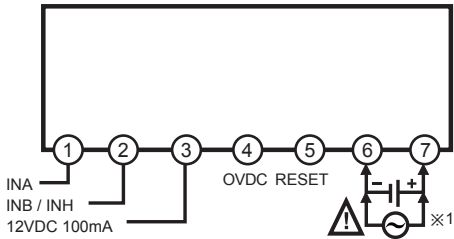


#### CT6Y-2P□T

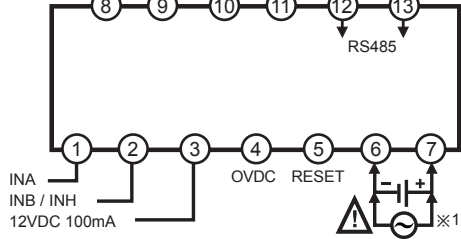


# Programmable Counter/Timer

## ● CT6Y-□

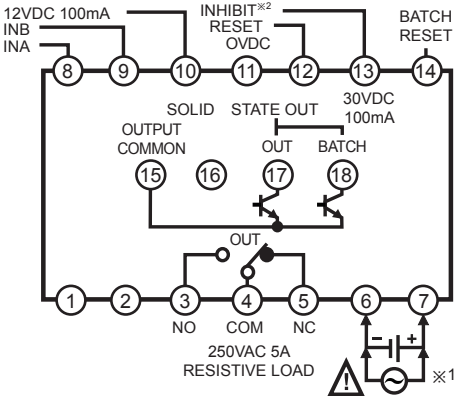


## ● CT6Y-□T

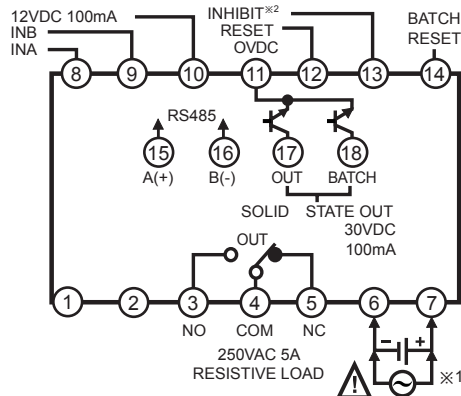


## ◎ CTM Series

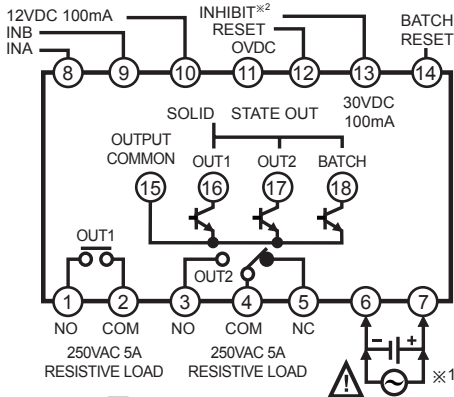
### ● CT6M-1P□



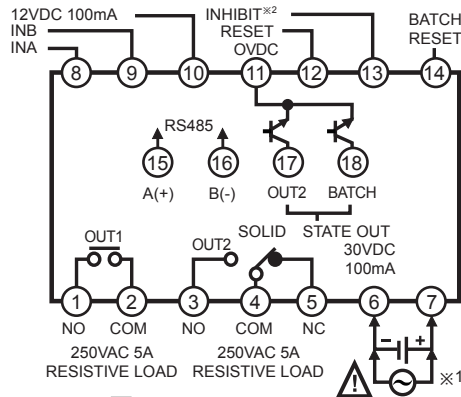
### ● CT6M-1P□T



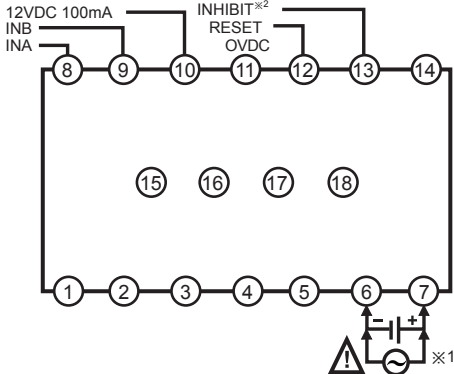
### ● CT6M-2P□



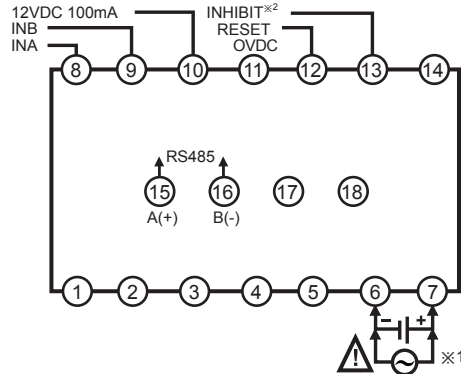
### ● CT6M-2P□T



### ● CT6M-I□



### ● CT6M-I□T



※1: AC Voltage: 100-240VAC 50/60Hz  
AC/DC Voltage: 24-48VDC, 24VAC 50/60Hz

※2: Counter operation: If INHIBIT signal is applied, count input will be prohibited.  
Timer operation: If INHIBIT signal is applied, time progressing will stop. (HOLD)

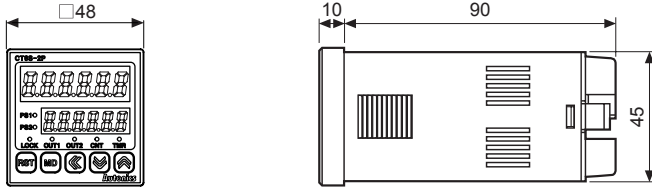
(A)	Photoelectric Sensors
(B)	Fiber Optic Sensors
(C)	Door/Area Sensors
(D)	Proximity Sensors
(E)	Pressure Sensors
(F)	Rotary Encoders
(G)	Connectors/ Sockets
(H)	Temperature Controllers
(I)	SSRs / Power Controllers
(J)	Counters
(K)	Timers
(L)	Panel Meters
(M)	Tacho / Speed / Pulse Meters
(N)	Display Units
(O)	Sensor Controllers
(P)	Switching Mode Power Supplies
(Q)	Stepper Motors & Drivers & Controllers
(R)	Graphic/ Logic Panels
(S)	Field Network Devices
(T)	Software

# CT Series

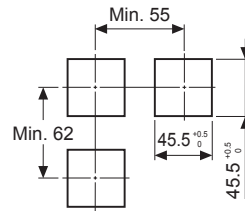
## ■ Dimensions

(unit:mm)

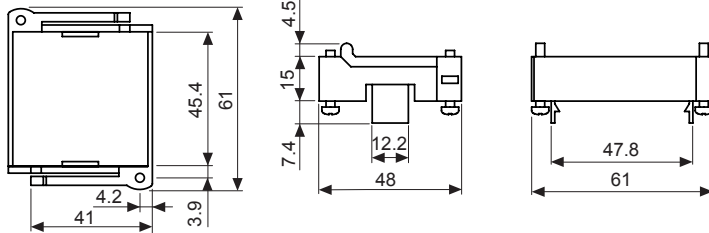
### ◎ CTS Series



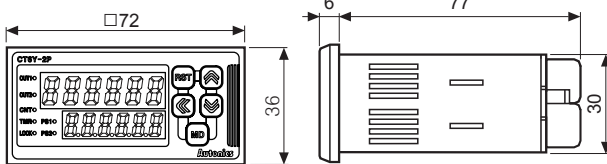
#### ● Panel cut-out



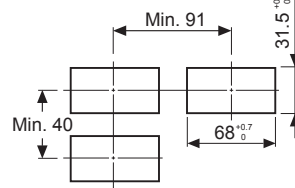
#### ● Bracket



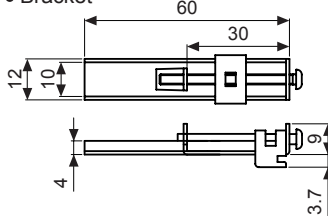
### ◎ CTY Series



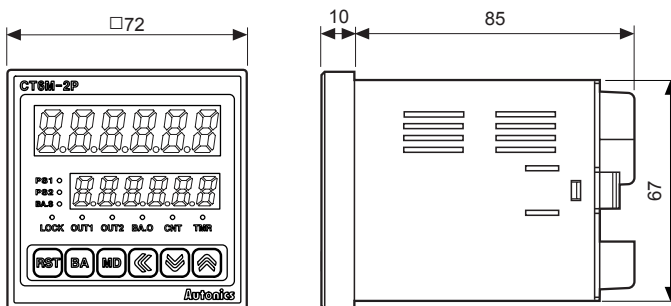
#### ● Panel cut-out



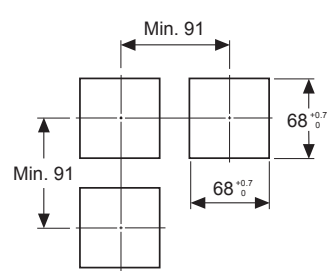
#### ● Bracket



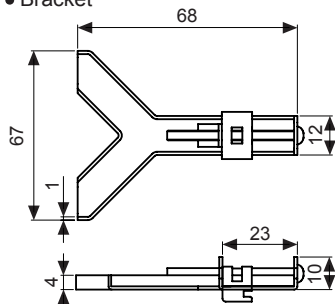
### ◎ CTM Series



#### ● Panel cut-out



#### ● Bracket



# Programmable Counter/Timer

## ■ Sold Separately

### ◎ Communication converter

#### ● SCM-38I

(RS232C to RS485 converter)



#### ● SCM-US48I

(USB to RS485 converter)



### ◎ Display Units (DS/DA-T Series)

#### ● DS/DA-T Series

(RS485 communication input type display unit) CE



DS16-□T



DS22/DA22-□T



DS40/DA40-□T

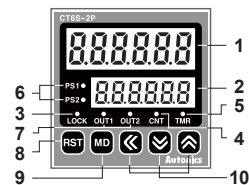


DS60/DA60-□T

※Connect RS485 communication input type display unit (DS/DA-T Series) and RS485 communication output model of CT Series, the display unit displays present value of the device without PC/PLC.

## ■ Unit Description

### ◎ CTS Series



#### 1. Counting value display component (red)

RUN mode: Displays counting value for counter operation or time progress value for timer operation.

Function setting mode: Displays setting item.

#### 2. Setting value display component (yellow-green)

RUN mode: Displays setting value.

Function setting mode: Displays setting content.

#### 3. Key lock indicator (LOCK):

Turns ON for key lock setting.

#### 4. Counter indicator (CNT):

Turns ON for counter operation.

#### 5. Timer indicator (TMR):

Flashes (progressing time) or Turns ON (stopping time) for timer operation.

#### 6. Preset value checking and changing indicator (PS1, PS2):

Turns ON when checking and changing preset value.

#### 7. Output indicator (OUT1, OUT2):

Turns ON for the dedicated control output ON.

#### 8. **RST** key

RUN mode: Press the **RST** key to reset the counting value.

BATCH counter mode: Press the **RST** key to reset the batch counting value.

#### 9. **MD** key

RUN mode: Hold the **MD** key over 3 sec. to enter function setting mode(parameter setting).

Hold the **MD** key over 5 sec. to enter function setting mode(communication setting).

Function setting mode: Press the **MD** key to select function setting mode parameter.

Hold the **MD** key over 3 sec. to return RUN mode.

#### 10. **↩, ↲, ↳** key

##### 1) **↩** key

RUN mode: Press the **↩** key to enter preset mode.

Preset mode: Press the **↩** key to move preset digits.

##### 2) **↲, ↳** key

RUN mode: Hold the **↲** key over 1 sec. to enter Function setting check mode.

Preset mode: Used for increasing or decreasing preset value.

Function setting mode: Changes the settings.

Function setting check mode: Press the **↲** key to move the previous parameter.

Press the **↳** key to the next parameter.

#### 11. **BA** key

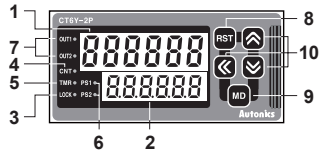
RUN mode: Press the **RST** key to enter BATCH counter indication mode.

#### 12. BATCH output indicator (BA.O) (red)

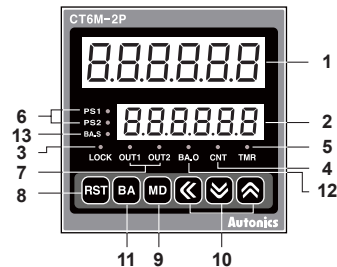
#### 13. BATCH preset value checking and changing indicator (BA.S) (yellow-green):

Turns ON when checking and changing BATCH preset value.

### ◎ CTY Series



### ◎ CTM Series



Model	Changed	Notice
CT4S-1P		
CT6S-1P	PS2→PS	There are no PS1, OUT1 LEDs.
CT6Y-1P	OUT2→OUT	
CT6M-1P		
CT6S-I		
CT6Y-I	PS2→PS	There are no PS1, OUT1, OUT2 LEDs.
CT6M-I		

※The indicator type does not exist in CT4S model.

(A) Photoelectric Sensors

(B) Fiber Optic Sensors

(C) Door/Area Sensors

(D) Proximity Sensors

(E) Pressure Sensors

(F) Rotary Encoders

(G) Connectors/ Sockets

(H) Temperature Controllers

(I) SSRs / Power Controllers

(J) Counters

(K) Timers

(L) Panel Meters

(M) Tacho / Speed / Pulse Meters

(N) Display Units

(O) Sensor Controllers

(P) Switching Mode Power Supplies

(Q) Stepper Motors & Drivers & Controllers

(R) Graphic/ Logic Panels

(S) Field Network Devices

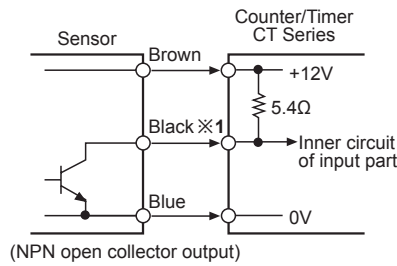
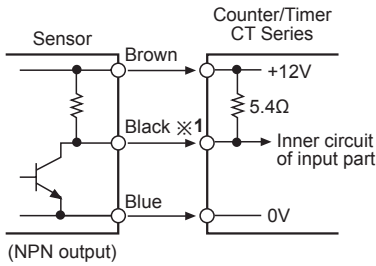
(T) Software

# CT Series

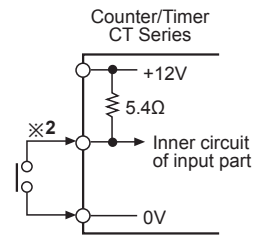
## Input Connections

### ⊙ No-voltage input (NPN)

#### ● Solid-state input (Standard sensor: NPN output type sensor)



#### ● Contact input

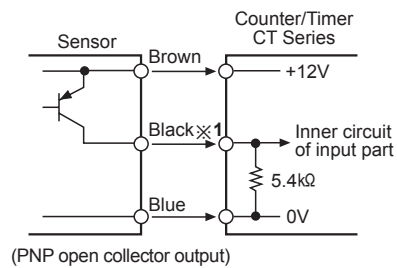
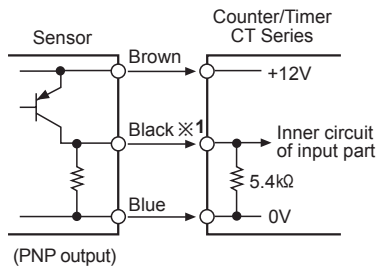


※1: INA, INB/INH, RESET, INHIBIT, BATCH RESET input part

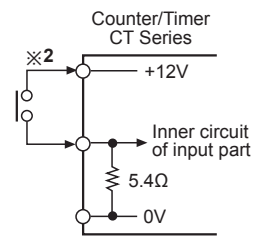
※2: Counting speed: 1 or 30cps setting (Counter)

### ⊙ Voltage input (PNP)

#### ● Solid-state input (Standard sensor: PNP output type sensor)



#### ● Contact input

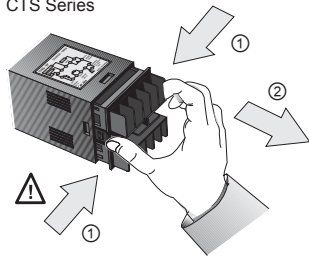


※1: INA, INB/INH, RESET, INHIBIT, BATCH RESET input part

※2: Counting speed: 1 or 30cps setting (Counter)

## Input Logic Selection [No-Voltage Input (NPN)/Voltage Input (PNP)]

CTS Series



1. The power must be cut off.
2. Squeeze toward ① and pull toward ② as the figure. (CTS/CTY Series)
3. Select input logic by using input logic switch (SW1) inside Counter/Timer.
4. Push a case in the opposite direction of ②.
5. Then supply the power to counter/timer.

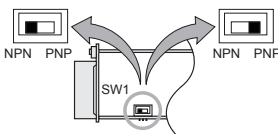
※ Case detachment

Squeeze toward ① and pull toward ② as shown in picture.

**⚠ Turn OFF the power before changing input logic (PNP/NPN)**

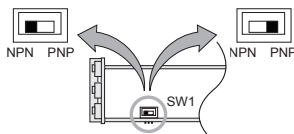
#### ● CTS

No-voltage input (NPN) Voltage input (PNP)



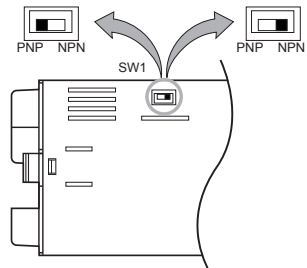
#### ● CTY

No-voltage input (NPN) Voltage input (PNP)



#### ● CTM

Voltage input (PNP) No-Voltage input (NPN)



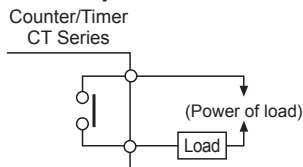
## Error Display

Error display	Errors	Output status	How to return
	Failed in data loading for existing setting values	OFF	Power on again

# Programmable Counter/Timer

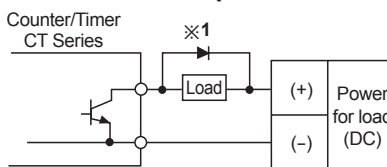
## Output Connections

### Contact output



※Use proper load not to exceed the capacity.

### Solid-state output

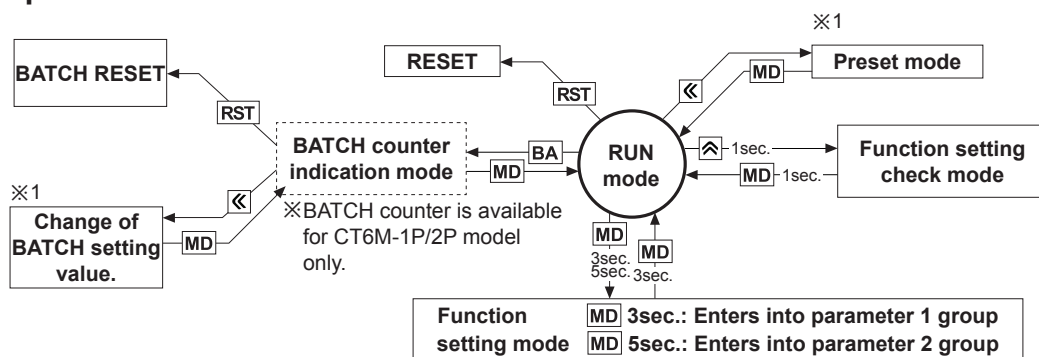


※Use proper load and power for load not to exceed ON/OFF capacity (30VDC Max. 100mA Max.) of solid state output.

※Be sure not to apply reverse polarity of power.

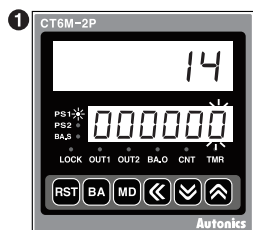
※1: When using inductive load (Relay etc.), surge absorber (Diode, varistor etc.) must be connected between both sides of the load.

## Operations And Functions

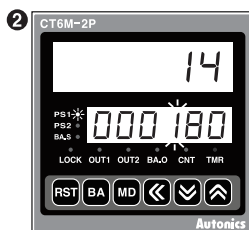


### Change of preset (Counter/Timer)

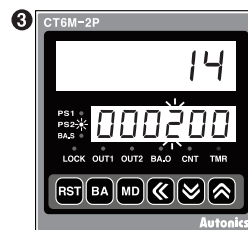
- Even if changing the preset value, input operation and output control will continue. In addition, the preset value could be set to 0 and the output of 0 preset value turns ON. According to output mode, preset value could not be set to 0. (When setting to 0, preset value "0" will flash 3 times.)



In RUN mode, press the  $\leftarrow$  key to enter preset mode. 'PS1' indicator turns ON and first digit of preset value flashes.



Press the  $\leftarrow$ ,  $\uparrow$  and  $\downarrow$  keys to set the desired value (example, 180). Press the  $\text{MD}$  key to enter the PS2 setting mode.



Press the  $\leftarrow$ ,  $\uparrow$  and  $\downarrow$  keys to set the desired value (example, 200). Press the  $\text{MD}$  key to return RUN mode.

### Function setting check mode

Setting value of function setting mode can be confirmed using the  $\uparrow$  and  $\downarrow$  keys.

### Switching display function in preset indicator

Setting value 1(PS1) and setting value 2(PS2) are displayed each time pressing  $\text{MD}$  key in dual preset model. (In timer, it is available for *ond*, *ond.1* or *ond.2* output mode.)

### Reset

In RUN mode or function setting mode, if pressing  $\text{RST}$  key or applying the signal to the RESET terminal on the back side, present value will be reset and output will maintain off status. When selecting voltage input (PNP), short no. 10 and no. 12 terminals, or when selecting no-voltage input (NPN), short no.11 and no.12 terminals to reset.

(A)	Photoelectric Sensors
(B)	Fiber Optic Sensors
(C)	Door/Area Sensors
(D)	Proximity Sensors
(E)	Pressure Sensors
(F)	Rotary Encoders
(G)	Connectors/ Sockets
(H)	Temperature Controllers
(I)	SSRs / Power Controllers
(J)	Counters
(K)	Timers
(L)	Panel Meters
(M)	Tacho / Speed / Pulse Meters
(N)	Display Units
(O)	Sensor Controllers
(P)	Switching Mode Power Supplies
(Q)	Stepper Motors & Drivers & Controllers
(R)	Graphic/ Logic Panels
(S)	Field Network Devices
(T)	Software



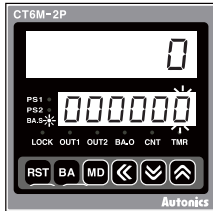
## ■ BATCH Counter (For CT6M-1P□□ /CT6M-2P□□ Model Only)

In BATCH counter indication mode, 'BATCH counter value' is displayed in count indicator and 'BATCH counter setting value' is displayed in preset indicator.

### ◎ Change of BATCH setting value

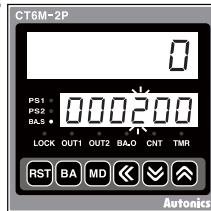
If pressing **[BA]** key in Run mode, it will enter into BATCH counter indication mode.

1.



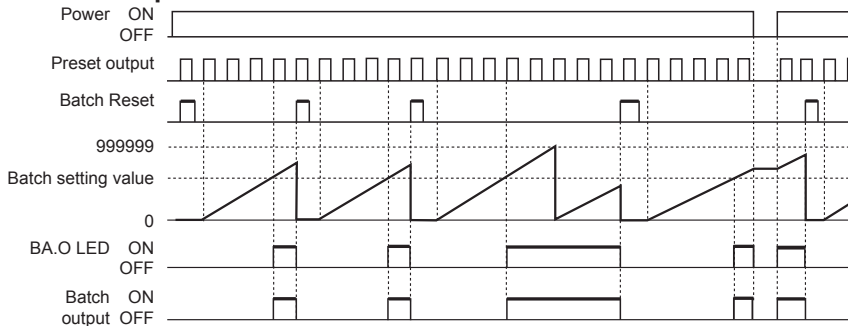
It enters into setting value change mode using **[<]** key. (BA.S lights, first digit of setting value flashes.)

2.



BATCH value is set to '200' using **[<]**, **[>]** and **[<=>]** keys, then press **[MD]** key to complete BATCH setting value and move to BATCH counter indication mode.

### ◎ BATCH counter operation



### ◎ BATCH counting operation

● BATCH counting value is increasing until BATCH reset signal applied. BATCH counting value will be circulated when it is over 999999.

- 1) BATCH counting operation in Counter: Counts the number of reaching setting value of CT6M-1P or reaching dual setting value of CT6M-2P□□
- 2) BATCH counting operation in Timer: Counts the number of reaching setting time. (In case of "F L H" output mode, count the number of reaching T.off setting time and T.on setting time.)

### ◎ BATCH output

- If input signal is applied while changing BATCH setting value, counting operation and output control will be performed.
- If BATCH count value equals to BATCH setting value, BATCH output will be ON and maintain ON status until BATCH reset signal is applied.
- When the power is cut off then resupplied in status of BATCH output is ON, BATCH output maintains ON status until BATCH reset signal is applied.

### ◎ BATCH reset input

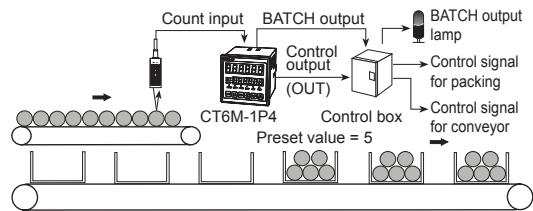
- If pressing **[RST]** key or applying the signal to BATCH reset terminal on the back side panel, BATCH counting value will be reset. When selecting voltage input (PNP), short terminals 10 and 14, or when selecting no-voltage input (NPN), short terminals 11 and 14 to reset.
- When BATCH reset is applied, BATCH counting value maintains at 0 and BATCH output maintains in the OFF status.

### ◎ Application of BATCH counter function

#### ● Counter

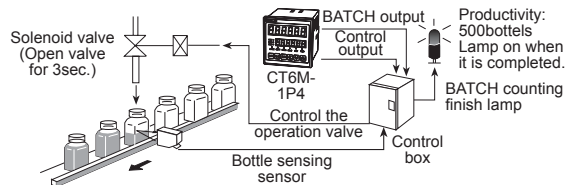
In case, put 5 products in a box then pack the boxes when they reaches to 200.

- Counter preset setting value="5", BATCH setting value="200"
- When the count value of counter reaches to the preset value "5", the control output (OUT) will be on, and at this time the count value of the BATCH counter will be increased by "1". The control box which is received the control output (OUT) repeatedly controls conveyor to move the full box and to place the next empty box for standby. When the BATCH count value reaches to "200", BATCH output will be ON. Then the control box stops conveyor and provides a control signal for packing.



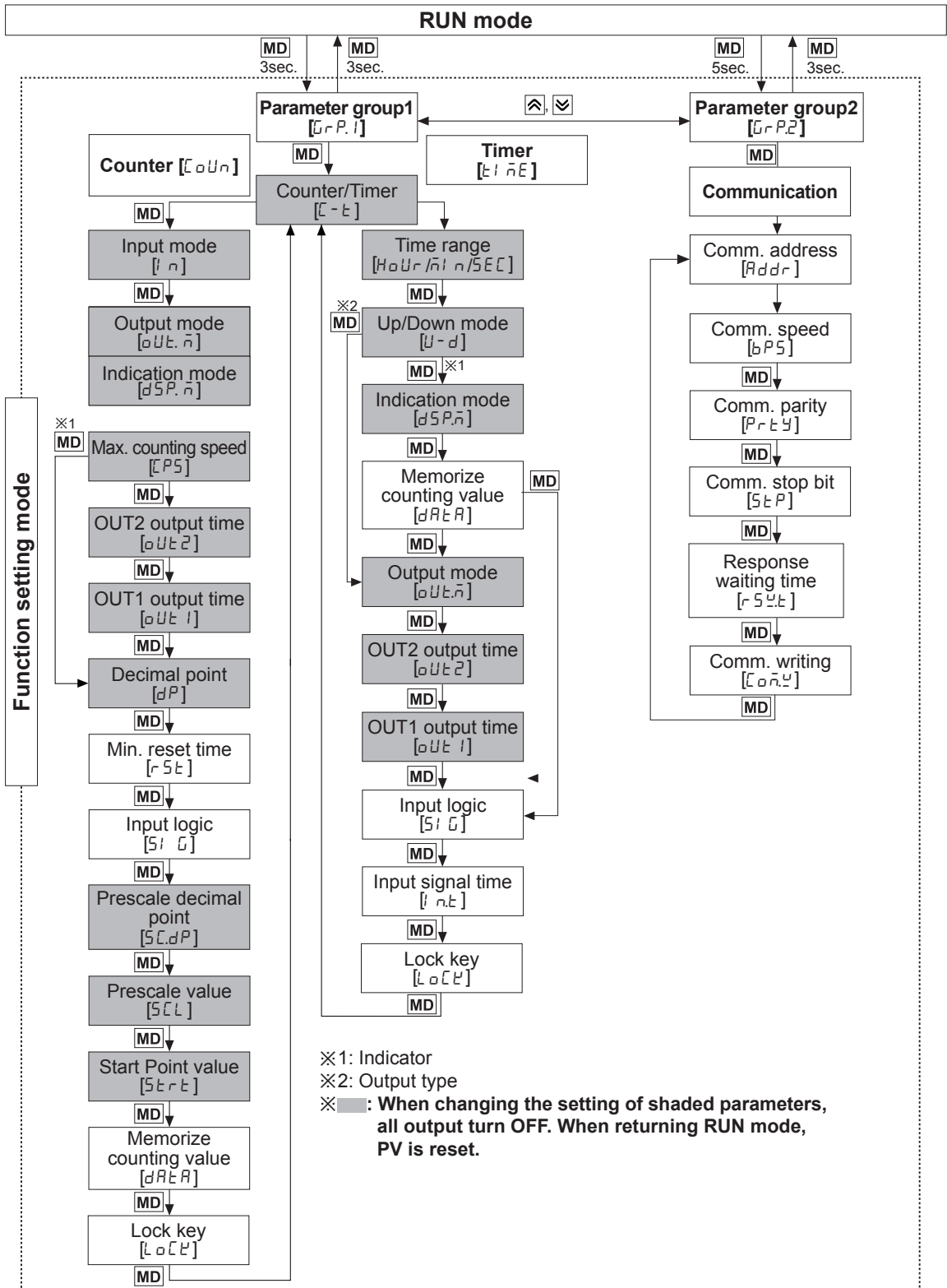
#### ● Timer

Fills milk into the bottle for 3sec. (setting time) When 500 bottles are filled, BATCH counting finish lamp is turned on. (Setting time: 3sec., BATCH setting value: 500)



# Programmable Counter/Timer

## Flow Chart For Function Setting Mode



※If changing Parameter group1 setting value, display value and output are reset.  
 ※Parameter 2 group is not available to non-communication models.

(A)	Photoelectric Sensors
(B)	Fiber Optic Sensors
(C)	Door/Area Sensors
(D)	Proximity Sensors
(E)	Pressure Sensors
(F)	Rotary Encoders
(G)	Connectors/ Sockets
(H)	Temperature Controllers
(I)	SSRs / Power Controllers
(J)	Counters
(K)	Timers
(L)	Panel Meters
(M)	Tacho / Speed / Pulse Meters
(N)	Display Units
(O)	Sensor Controllers
(P)	Switching Mode Power Supplies
(Q)	Stepper Motors & Drivers & Controllers
(R)	Graphic/ Logic Panels
(S)	Field Network Devices
(T)	Software

# CT Series

## Parameter Setting (Counter)

(**MD**) key: Moves the settings, (**☑**), (**☒**) key: Changes the settings)

Parameter	Setting
Counter/Timer [C-T]	C0UN ←→ T1nE <span style="float:right">※C0UN: Counter T1nE: Timer</span>
Input mode [In]	Ud-C ↔ UP ↔ UP-1 ↔ UP-2 ↔ dn ↔ dn-1 ↔ dn-2 ↔ Ud-A ↔ Ud-b ↑ ↑
Output mode [OUTn]	<p>• Input mode is UP, UP-1, UP-2 or dn, dn-1, dn-2, F ↔ n ↔ C ↔ r ↔ E ↔ P ↔ Q ↔ R ↑</p> <p>• Input mode is Ud-A, Ud-b, Ud-C, F ↔ n ↔ C ↔ r ↔ E ↔ P ↔ Q ↔ R ↔ S ↔ t ↔ d ↑</p> <p>※If max. counting speed is 5kcps, and output mode is d, max. counting speed is automatically changed as 30cps, factory default.</p>
Indication mode [dSPn]	<p>• In case of the indicator type H0Ld ↔ t0tAL</p> <p>※In case of the indicator type, indicate mode selection [dSPn] is displayed. ※It is the added function to set the preset value when selecting H0Ld.</p>
Max. counting speed [CPS]	<p>30 ↔ 1E ↔ 5E ↔ 10E ↔ 1</p> <p>※Max. counting speed is when duty ratio of INA or INB input signal is 1:1. It is applied for INA, or INB input as same. ※When output mode is d, set max. counting speed one among 1cps, 30cps, or 1kcps.</p>
OUT2 output time*1 [OUT2]	<p>※Set one-shot output time of OUT2. ※Setting range: 00.01 to 99.99sec. ※When input mode is F, n, S, t, d, OUT2 does not appear. (fixed as HOLD)</p>
OUT1 output time*1 [OUT1]	<p>※Set one-shot output time of OUT1. <span style="float:right">※Setting range: 00.01 to 99.99sec., Hold.</span> ※When 1st digit is flashing, press the (<b>☑</b>) key once and H0Ld appears. ※When input mode is S, t, d, OUT1 does not appear. (fixed as HOLD)</p>
OUT output time*1 [OUTt]	<p>※Setting range: 00.01 to 99.99sec. ※When input mode is F, n, S, t, d, OUTt does not appear. (fixed as HOLD)</p>
Decimal point*2 [dP]	<p>• 6-digit type ↑ ..... ↑</p> <p>• 4-digit type ↑ ..... ↑</p> <p>※Decimal point is applied to counting value and setting value.</p>
Min. reset time [rSt]	1 ↔ 20, unit: ms <span style="float:right">※Set min. width of external reset signal input.</span>
Input logic [SiG]	nPN: No-voltage input, PnP: Voltage input ※Check input logic value (PNP, NPN).
Prescale decimal point*2 [5CLP]	<p>• 6-digit type ↑ ..... ↑</p> <p>• 4-digit type ↑ ..... ↑</p> <p>※Decimal point of prescale should not set smaller than decimal point [dP].</p>
Prescale value [5CL]	※Setting range of prescale value 6-digit type: 0.00001 to 99999.9, 4-digit type: 0.001 to 999.9
Start point value [5tEt]	<p>※Setting range (linked with decimal point [dP]): 6-digit type: 0.00001 to 999999, 4-digit type: 0.001 to 9999 ※When input mode is dn, dn-1, dn-2, start point value does not appear.</p>
Memory protection [dRA]	<p>CLE ↔ rEE <span style="float:right">※CLE: Resets the counting value when power OFF. rEE: Maintains the counting value when power OFF. (memory protection)</span></p>
Key lock [LoCt]	<p>LoFF ↔ LoC.1 <span style="float:right">※LoFF: Unlock keys, key lock indicator turns OFF LoC.1: Locks [RST] key, key lock indicator turns ON LoC.2: Locks [☑], [☒], [☒] keys, key lock indicator turns ON LoC.3: Locks [RST], [☑], [☒], [☒] keys, key lock indicator turns ON</span></p> <p>LoC.3 ↔ LoC.2</p>

※1: For 1-stage preset model, OUT1 does not appear. The output time of OUT2 is displayed as OUTt.

※2: Decimal point and prescale decimal point

- Decimal point: Set the decimal point for display value regardless of prescale value.

- Prescale decimal point: Set the decimal point for prescale value of counting value regardless of decimal point of display value.

# Programmable Counter/Timer

## Input Operation Mode (Counter)

Input mode	Counting chart	Operation
UP [UP]		※When INA is counting input, INB is no counting input. When INB is counting input, INA is no counting input.
UP-1 [UP-1]		※When INA input signal is rising (↑), it counts. ※INA: Counting input ※INB: No counting input
UP-2 [UP-2]		※When INA input signal is falling (↓), it counts. ※INA: Counting input ※INB: No counting input
Down [dn]		※When INA is counting input, INB is no counting input. When INB is counting input, INA is no counting input.
Down-1 [dn-1]		※When INA input signal is rising (↑), it counts. ※INA: Counting input ※INB: No counting input
Down-2 [dn-2]		※When INA input signal is falling (↓), it counts. ※INA: Counting input ※INB: No counting input
Up/ Down-A [Up-Down-A]		※INA: Counting input INB: Counting command input ※When INB is "L", counting command is up. When INB is "H", it is counting command is down.

- (A) Photoelectric Sensors
- (B) Fiber Optic Sensors
- (C) Door/Area Sensors
- (D) Proximity Sensors
- (E) Pressure Sensors
- (F) Rotary Encoders
- (G) Connectors/ Sockets
- (H) Temperature Controllers
- (I) SSRs / Power Controllers
- (J) Counters
- (K) Timers
- (L) Panel Meters
- (M) Tacho / Speed / Pulse Meters
- (N) Display Units
- (O) Sensor Controllers
- (P) Switching Mode Power Supplies
- (Q) Stepper Motors & Drivers & Controllers
- (R) Graphic/ Logic Panels
- (S) Field Network Devices
- (T) Software

## Input Operation Mode (Counter)

Input mode	Counting chart	Operation
Up/ Down-B [Ud-b]		※INA: Up counting input INB: Down counting input ※When INA and INB input signals are rising (  ) at the same time, it maintains previous counting value.
Up/ Down-C [Ud-c]		※When connecting encoder output A, B phase with counter input, INA, INB, set input mode [Ud-c] as phase different input [Ud-c] for counter operation.

※1: For selectable no-voltage input (PNP), voltage input (NPN) model.

※A: over min. signal width, B: over than 1/2 of min. signal width. If the signal is smaller than these width, it may cause counting error (±1).

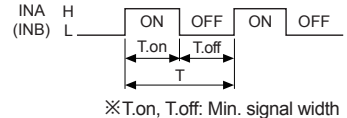
※The meaning of "H", "L"

Input method	Voltage input (PNP)	No-voltage input (NPN)
Character		
H	5-30VDC	Short
L	0-2VDC	Open

※Min. signal width by counting speed

Counting speed	Min. signal width
1cps	500ms
30cps	16.7ms
1kcps	0.5ms
5kcps	0.1ms
10kcps	0.05ms

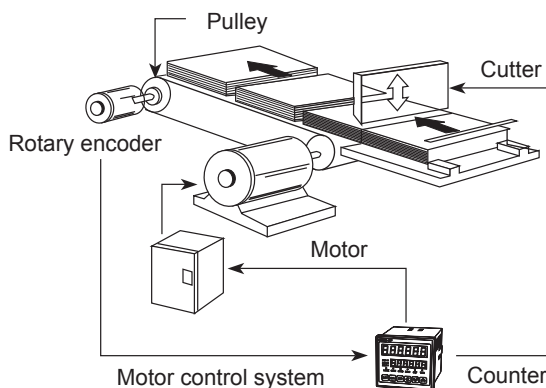
1cps=1Hz



## Prescale Function (Counter)

This function is to set and display calculated unit for actual length, liquid, position, etc. It is called "prescale value" for measured length, liquid, or position, etc per 1 pulse. For example, when moving L, the desired length to be measured, and P, the number of pulses per 1 revolution of a rotary encoder, occurs, prescale value is L/P.

E.g.) Positioning control by counter and encoder



[Diameter (D) of pulley connected with encoder= 22mm, the number of pulses by 1 rotation of encoder=1,000]

$$\begin{aligned}
 \bullet \text{Prescale value} &= \frac{\pi \times \text{Diameter (D) of pulley}}{\text{The number of pulses by 1 rotation of encoder}} \\
 &= \frac{3.1416 \times 22}{1000} \\
 &= 0.069\text{mm/pulse}
 \end{aligned}$$

Set decimal point [dP] as [-----], prescale decimal point [Sc.dP] as [-----], prescale value [ScL] as [0.069] at function setting mode. It is available to control conveyer position by 0.1mm unit.

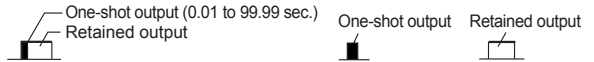
## Start Point Function (Counter)

This function is that start at initial value set at Start Point [StPt] when on counting mode.

- In case of dn, dn-1 or dn-2 in timer input mode, it is not available.
- When reset is applied, the present value is initialized to start point.
- In case of C, r, P, q output operation mode, the present value starts at START POINT value after counting up.

# Programmable Counter/Timer

## Output Operation Mode (Counter)



Output mode	Input mode			Operation
	Up, Up-1, 2	Down, Down-1, 2	Up/Down A, B, C	
F [F]	<p>RESET 999999 PRESET2 PRESET1 0</p> <p>OUT1 OUT2 (OUT)</p>	<p>RESET 999999 PRESET2 PRESET1 0</p> <p>OUT1 OUT2 (OUT)</p>	<p>RESET 999999 PRESET2 PRESET1 0</p> <p>OUT1 OUT2 (OUT)</p>	<p>※After count-up, counting display value increases or decreases until reset signal is applied and retained output is maintained.</p>
N [n]	<p>RESET 999999 PRESET2 PRESET1 0</p> <p>OUT1 OUT2 (OUT)</p>	<p>RESET 999999 PRESET2 PRESET1 0</p> <p>OUT1 OUT2 (OUT)</p>	<p>RESET 999999 PRESET2 PRESET1 0</p> <p>OUT1 OUT2 (OUT)</p>	<p>※After count-up, counting display value and retained output are maintained until reset signal is applied.</p>
C [C]	<p>RESET 999999 PRESET2 PRESET1 0</p> <p>OUT1 OUT2 (OUT)</p>	<p>RESET 999999 PRESET2 PRESET1 0</p> <p>OUT1 OUT2 (OUT)</p>	<p>RESET 999999 PRESET2 PRESET1 0</p> <p>OUT1 OUT2 (OUT)</p>	<p>※When count-up, counting display value will be reset and count simultaneously.</p> <p>※OUT1 retained output will be off after OUT2 one-shot time.</p> <p>※The one-shot output time of OUT1 one-shot output time is operated regardless of OUT2 output.</p>
R [r]	<p>RESET 999999 PRESET2 PRESET1 0</p> <p>OUT1 OUT2 (OUT)</p>	<p>RESET 999999 PRESET2 PRESET1 0</p> <p>OUT1 OUT2 (OUT)</p>	<p>RESET 999999 PRESET2 PRESET1 0</p> <p>OUT1 OUT2 (OUT)</p>	<p>※After count-up, counting value display is reset after one-shot output time of OUT2 and it counts simultaneously.</p> <p>※OUT1 retained output will be off after OUT2 one-shot time.</p> <p>※OUT1 one-shot output time is operated regardless of OUT2 output.</p>
K [k]	<p>RESET 999999 PRESET2 PRESET1 0</p> <p>OUT1 OUT2 (OUT)</p>	<p>RESET 999999 PRESET2 PRESET1 0</p> <p>OUT1 OUT2 (OUT)</p>	<p>RESET 999999 PRESET2 PRESET1 0</p> <p>OUT1 OUT2 (OUT)</p>	<p>※After count-up, counting display value increases or decreases until RESET input is applied.</p> <p>※OUT1 retained output is off after OUT2 one-shot time.</p> <p>※OUT1 one-shot output time is operated regardless of OUT2 output.</p>
P [P]	<p>RESET 999999 PRESET2 PRESET1 0</p> <p>OUT1 OUT2 (OUT)</p>	<p>RESET 999999 PRESET2 PRESET1 0</p> <p>OUT1 OUT2 (OUT)</p>	<p>RESET 999999 PRESET2 PRESET1 0</p> <p>OUT1 OUT2 (OUT)</p>	<p>※After count-up, counting display value is maintained while OUT2 output is on. Counting value is internally reset and counts simultaneously.</p> <p>※When OUT2 output is off, displays counting value while OUT2 is ON, and it increases or decreases.</p> <p>※OUT1 retained output is off after OUT2 one-shot time.</p> <p>※OUT1 one-shot output time is operated regardless of OUT2 output.</p>
Q [q]	<p>RESET 999999 PRESET2 PRESET1 0</p> <p>OUT1 OUT2 (OUT)</p>	<p>RESET 999999 PRESET2 PRESET1 0</p> <p>OUT1 OUT2 (OUT)</p>	<p>RESET 999999 PRESET2 PRESET1 0</p> <p>OUT1 OUT2 (OUT)</p>	<p>※After count-up, counting display value increases or decreases during OUT2 one-shot time.</p> <p>※OUT1 retained output is off after OUT2 one-shot time.</p> <p>※OUT1 one-shot output time is operated regardless of OUT2 output.</p>
A [A]	<p>RESET 999999 PRESET2 PRESET1 0</p> <p>OUT1 OUT2 (OUT)</p>	<p>RESET 999999 PRESET2 PRESET1 0</p> <p>OUT1 OUT2 (OUT)</p>	<p>RESET 999999 PRESET2 PRESET1 0</p> <p>OUT1 OUT2 (OUT)</p>	<p>※After count-up, counting display value and OUT1 retained output are maintained until RESET input is applied.</p> <p>※OUT1 one-shot output time is operated regardless of OUT2 output.</p>

※The single preset type output (OUT) is operated as OUT2 of dual preset type.  
 ※OUT1 output could be set to 0 in all modes and 0 value output turns ON.  
 ※OUT2 output could not set to 0 in C[C], R[r], P[P] or Q[q] output mode.

- (A) Photoelectric Sensors
- (B) Fiber Optic Sensors
- (C) Door/Area Sensors
- (D) Proximity Sensors
- (E) Pressure Sensors
- (F) Rotary Encoders
- (G) Connectors/Sockets
- (H) Temperature Controllers
- (I) SSRs / Power Controllers
- (J) Counters
- (K) Timers
- (L) Panel Meters
- (M) Tacho / Speed / Pulse Meters
- (N) Display Units
- (O) Sensor Controllers
- (P) Switching Mode Power Supplies
- (Q) Stepper Motors & Drivers & Controllers
- (R) Graphic/Logic Panels
- (S) Field Network Devices
- (T) Software

## Output Operation Mode (Counter)

Output mode	Up/Down - A, B, C	Operation
S [5]		Retained output      Coincidence output  ※OUT1 and OUT2 keep ON status in following condition: Counting display value $\geq$ PRESET1 Counting display value $\geq$ PRESET2
T [t]		※OUT1 output is off: Counting display value $\geq$ PRESET1 ※OUT2 keeps ON status in following condition: Counting display value $\geq$ PRESET2
D [d]		※When counting display value is equal to setting value [PRESET1, PRESET2] only, OUT1 or OUT2 output keeps ON status. ※When setting 1kcps for counting speed, solid state contact output should be used.

※The single preset type output (OUT) is operated as OUT2 of dual preset type.

※The dual preset model OUT1 output is operated as one-shot or retained output. (except 5, t, d mode)

※OUT1 output could be set to 0 in all modes and 0 value output turns ON.

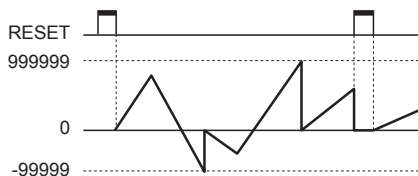
※OUT2 output could not set to 0 in C[ $\bar{c}$ ], R[ $\bar{r}$ ], P[P], or Q[ $\bar{q}$ ] output mode.

## Counter Operation Of The Indicator (CT6S-I, CT6Y-I, CT6M-I)

※Only displays on indicator models

Indicate mode [dSP $\bar{n}$ ]	Count chart		Operation
	In case of input mode is Up (Up, Up-1, Up-2)	In case of input mode is Down (Down, Down-1, Down-2)	
TOTAL [t $\sigma$ tAL]			Count value increases or decreases until RESET input is applied. When input is over max./min. counting value, it displays 0. When Reset input is applied, it displays 0(Up)/999999(Down).
HOLD [H $\sigma$ Ld]			Count value increases or decreases until RESET input is applied. When input is reaching preset value(Up)/0(Down), the display value is hold. When Reset input is applied, it displays 0(Up)/preset value(Down).

• In case of the Command input [Ud-A], Individual input [Ud-b], Phase difference input [Ud-C] mode.



※In case of UP/DOWN [Ud-A, Ud-b, Ud-C] input mode, indication mode [dSP $\bar{n}$ ] of the configuration is not displayed.

# Programmable Counter/Timer

## Parameter Setting (Timer)

(MD) key: Moves the settings, (M), (N) key: Changes the settings

Parameter	Setting
Counter/Timer [[-t]]	$\overline{C}oU\overline{n} \leftrightarrow tI\overline{n}E$ ※ $\overline{C}oU\overline{n}$ : Counter $tI\overline{n}E$ : Timer
Time range [Hour/Min/Sec]	<p>● 6-digit type</p> <p>● 4-digit type</p>
Up/Down mode [U-d]	$UP \leftrightarrow dn$ ※UP: Time progresses from '0' to the setting time. $dn$ : Time progresses from the setting time to '0'.
Indication mode [dSPn]	$totRL \leftrightarrow Hold \leftrightarrow ontd$ ※Used for the indicator type only. ※It is added that the feature which set the setting time when selecting $Hold$ or $ontd$ .
Memory protection [dRA]	$CLr \leftrightarrow rEC$ ※Used for the indicator type only. ※ $CLr$ : Reset time value when power is off. $rEC$ : Memorizes time value at the moment of power off.
Output mode [outn]	$ond \leftrightarrow ond.1 \leftrightarrow ond.2 \leftrightarrow FL\overline{E} \leftrightarrow FL\overline{E}.1 \leftrightarrow FL\overline{E}.2 \leftrightarrow I\overline{n}t$ $I\overline{n}t\overline{G} \leftrightarrow nFd.1 \leftrightarrow nFd \leftrightarrow oFd \leftrightarrow I\overline{n}t.2 \leftrightarrow I\overline{n}t.1$
OUT2 output time [out2] <sup>*1</sup>	※Set one-shot output time of OUT2. ※Setting range: 00.01 to 99.99sec., Hold. ※When 1st digit is flashing, press the (M) key once and $Hold$ appears.
OUT1 output time [out1] <sup>*1</sup>	※Set one-shot output time of OUT1. ※Setting range: 00.01 to 99.99sec., Hold. ※When 1st digit is flashing, press the (M) key once and $Hold$ appears.
OUT output time [outt] <sup>*1</sup>	※Setting range: 00.01 to 99.99sec., Hold. ※When 1st digit is flashing, press the (M) key once and $Hold$ appears.
Input logic [SiG]	$nPn$ : No-voltage input, $PnP$ : Voltage input ※Check input logic value (PNP, NPN).
Input signal time [Int]	$I \leftrightarrow 20$ ,      ※CTS/CTY: Set min. width of INA, INH, RESET signal. unit: ms      ※CTM: Set min. width of INA, RESET, INHIBIT, BATCH RESET signal.
Key lock [LoCk]	$LoFF \leftrightarrow LoC.1$ ※ $LoFF$ : Unlock keys, key lock indicator turns OFF $LoC.1$ : Locks (RST) key, key lock indicator turns ON $LoC.2$ : Locks (M), (N), (N) keys, key lock indicator turns ON $LoC.3$ : Locks (RST), (M), (N), (N) keys, key lock indicator turns ON

※1: When output mode is  $FL\overline{E}.1, FL\overline{E}.2, I\overline{n}t\overline{G}$  and  $ond, ond.1, ond.2$  of 1-stage preset model,  $out1$  does not appear. The output time of  $out2$  is displayed as  $outt$ . When output mode is  $ond, ond.1, ond.2, I\overline{n}t.2, I\overline{n}t.1$  appears.

※2:  $I\overline{n}t.2$  mode is available only for 2-stage preset model.

(A) Photoelectric Sensors

(B) Fiber Optic Sensors

(C) Door/Area Sensors

(D) Proximity Sensors

(E) Pressure Sensors

(F) Rotary Encoders

(G) Connectors/ Sockets

(H) Temperature Controllers

(I) SSRs / Power Controllers

(J) Counters

(K) Timers

(L) Panel Meters

(M) Tacho / Speed / Pulse Meters

(N) Display Units

(O) Sensor Controllers

(P) Switching Mode Power Supplies

(Q) Stepper Motors & Drivers & Controllers

(R) Graphic/ Logic Panels

(S) Field Network Devices

(T) Software



## Output Operation Mode (Timer)

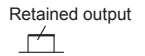
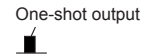
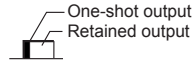


Output mode	Input mode	Operation
OND [OND]	Signal On Delay (Power Reset)	<ol style="list-style-type: none"> <li>Time starts when INA signal turns on.</li> <li>When INA signal turns off, time resets.</li> <li>When INA signal is on: Power ON Time Start is operated, Power OFF Time Start is operated.</li> <li>Control output operates as retained or one-shot output.</li> </ol> <p>T1: Setting time1 T2: Setting time2</p>
OND.1 [OND.1]	Signal On Delay 1 (Power Reset)	<ol style="list-style-type: none"> <li>Time starts when INA signal turns on, if INA signal is applied repeatedly, only initial signal is recognized.</li> <li>When INA signal is on: Power ON Time Start is operated, Power OFF Time Start is operated.</li> <li>Control output operates as retained or one-shot output.</li> <li>Only first INA input signal is valid in case INA input signal is repeatedly applied.</li> </ol> <p>T1: Setting time1 T2: Setting time2</p>
OND.2 [OND.2]	Power On Delay (Power Hold)	<ol style="list-style-type: none"> <li>Time starts when power turns on. (There is no INA function.)</li> <li>Time resets when reset turns on. Time starts when reset turns off.</li> <li>Control output operates as retained or one-shot output.</li> <li>It memorizes display value at the moment of power off.</li> </ol> <p>T1: Setting time1 T2: Setting time2</p>
FLK [FLK]	Flicker (Power Reset)	<ol style="list-style-type: none"> <li>Time starts when INA signal turns on.</li> <li>When INA signal is on: Power ON Time Start is operated, Power OFF Time Start is operated.</li> <li>Control output operates as retained output, output turns off for the T.off time and turns on for the T.on time repeatedly. <math>T_a + T_b = T.off</math> setting time.</li> <li>The T.on time and T.off time must be set individually.</li> <li>In case of using the contact output, min. setting time must be set over 100ms.</li> </ol> <p>T.off: T.off setting time T.on: T.on setting time</p>

※Power Reset: There is no memory protection. (Initializes the display value when power is off)  
 Power Hold: There is memory protection. (Memorizes the display value at the moment of power off, indicates the memorized display value when power is resupplied.)

# Programmable Counter/Timer

## Output Operation Mode (Timer)



Output mode	Input mode	Operation
FLK.1 [FL E.1]	Flicker 1 (Power Reset)	<p><b>Operation</b></p> <ol style="list-style-type: none"> <li>1) Time starts when INA signal turns on.</li> <li>2) When INA signal is on: Power ON Time Start is operated Power OFF Time Start is operated</li> <li>3) Control output operates as retained output.</li> <li>4) In case of using the contact output, min. setting time must be set over 100ms.</li> </ol>
	Hold output	
	One-Shot output	<ol style="list-style-type: none"> <li>1) Time starts when INA signal turns on.</li> <li>2) When INA signal is on: Power ON Time Start is operated Power OFF Time Start is operated</li> <li>3) Control output operates as one-shot output.</li> <li>4) In case of using the contact output, min. setting time must be set over 100ms.</li> </ol>
	One-Shot output	
FLK.2 [FL E.2]	Flicker 2 (Power Hold)	<ol style="list-style-type: none"> <li>1) Time starts when INA signal turns ON and the display value at the moment when power is off is memorized.</li> <li>2) When INA signal is on: Power ON Time Start is operated Power OFF Time Start is operated</li> <li>3) Control output operates as retained output.</li> <li>4) Control output will be reversed when it reaches to setting time. (At the initial start, OUT2 control output is OFF).</li> <li>5) In case of using the contact output, min. setting time must be set over 100ms.</li> </ol>
	Hold output	
	One-Shot output	<ol style="list-style-type: none"> <li>1) Time starts when INA signal turns ON and the display value at the moment when power is off is memorized.</li> <li>2) When INA signal is on: Power ON Time Start is operated Power OFF Time Start is operated</li> <li>3) Control output operates as one-shot output.</li> <li>4) In case of using the contact output, min. setting time must be set over 100ms.</li> </ol>
	One-Shot output	

※ Power Reset: There is no memory protection. (Initializes the display value when power is off)

Power Hold: There is memory protection. (Memorizes the display value at the moment of power off, indicates the memorized display value when power is resupplied.)

- (A) Photoelectric Sensors
- (B) Fiber Optic Sensors
- (C) Door/Area Sensors
- (D) Proximity Sensors
- (E) Pressure Sensors
- (F) Rotary Encoders
- (G) Connectors/ Sockets
- (H) Temperature Controllers
- (I) SSRs / Power Controllers
- (J) Counters
- (K) Timers
- (L) Panel Meters
- (M) Tacho / Speed / Pulse Meters
- (N) Display Units
- (O) Sensor Controllers
- (P) Switching Mode Power Supplies
- (Q) Stepper Motors & Drivers & Controllers
- (R) Graphic/ Logic Panels
- (S) Field Network Devices
- (T) Software

## Output Operation Mode (Timer)



Output mode	Input mode	Operation
INT [1 n.t.]	Interval (Power Reset)	<p>1) Control output turns ON and time starts when INA signal turns ON.</p> <p>2) When INA signal is on: Power ON Time Start is operated Power OFF Time Start is operated</p> <p>3) When it reaches setting time, indication value and control output are reset automatically.</p> <p>4) Control output is ON when time is progressing.</p>
		<p>T: Setting time</p>
INT.1 [1 n.t. 1]	Interval 1 (Power Reset)	<p>1) Control output turns ON and time starts when INA signal turns ON.</p> <p>2) When INA signal is on: Power ON Time Start is operated Power OFF Time Start is operated</p> <p>3) When it reaches setting time, indication value and control output are reset automatically.</p> <p>4) Control output is ON when time is progressing.</p> <p>5) INA input is ignored while time is progressing.</p>
		<p>T: Setting time</p>
INT.2 [1 n.t. 2]	Interval 2 (Power Reset)	<p>1) Time starts when INA input is ON and resets when INA input is OFF.</p> <p>2) INA input is ON, OUT1 output is ON during T1 or t1.</p> <p>3) When it reaches setting time1, display value resets and OUT2 output is ON during T2 or t2 output time.</p> <p>※ Output turns OFF when reaching the setting time even if one-shot time is longer than setting time.</p>
		<p>T1: Setting time1 T2: Setting time2 t1: One-shot1 t2: One-shot2</p> <p>(Single preset model has no INT.2 mode)</p>

※Power Reset: There is no memory protection. (Initializes the display value when power is off)

Power Hold: There is memory protection. (Memorizes the display value at the moment of power off, indicates the memorized display value when power is resupplied.)

# Programmable Counter/Timer

## Output Operation Mode (Timer)



Output mode	Input mode	Operation
OFD [oFd]	Signal Off Delay1 (Power Reset)	<ol style="list-style-type: none"> <li>1) If INA is ON, control output remains ON. (except when power is off and reset is on)</li> <li>2) When INA signal is OFF, time processes.</li> <li>3) When it reaches setting time, indication value and control output are reset automatically.</li> </ol>
	On-Off Delay (Power Reset)	
NFD [nFd]	On-Off Delay1 (Power Hold)	<ol style="list-style-type: none"> <li>1) When INA input turns ON, time progresses and output turns ON after On_Delay time.</li> <li>2) When INA input turns OFF, time progresses and output turns OFF after Off_Delay time.</li> <li>3) If INA input turns OFF within On_Delay time, output will turn ON and step2 operate.</li> <li>4) If INA input turns ON within Off_Delay time, output will turn OFF and step1 operate.</li> </ol>
	Integration Time (Power Reset)	
INTG [intG]	Integration Time (Power Reset)	<ol style="list-style-type: none"> <li>1) Time is progressing while INA input is ON.</li> <li>2) Time progress stops while INA input is OFF.</li> <li>3) When it reaches the setting time, output is ON.</li> </ol>

- (A) Photoelectric Sensors
- (B) Fiber Optic Sensors
- (C) Door/Area Sensors
- (D) Proximity Sensors
- (E) Pressure Sensors
- (F) Rotary Encoders
- (G) Connectors/ Sockets
- (H) Temperature Controllers
- (I) SSRs / Power Controllers
- (J) Counters
- (K) Timers
- (L) Panel Meters
- (M) Tacho / Speed / Pulse Meters
- (N) Display Units
- (O) Sensor Controllers
- (P) Switching Mode Power Supplies
- (Q) Stepper Motors & Drivers & Controllers
- (R) Graphic/ Logic Panels
- (S) Field Network Devices
- (T) Software

※Power Reset: There is no memory protection. (Initializes the display value and the output status when re-supplying the power.)  
 Power Hold: There is memory protection. (It memorizes the status of power off. When re-supplying the power, it returns the memorized display value and the output status.)

## ■ Timer Operation Of The Indicator (CT6S-I, CT6Y-I, CT6M-I)

TOTAL [t o t A L ]	<p>When memory protection setting is OFF</p>	<ol style="list-style-type: none"> <li>1) Time starts when INA input is ON.</li> <li>2) Setting value is initialized when Reset input is ON.</li> <li>3) Time progress stops when INHIBIT input is ON.</li> <li>4) Resets when power is OFF.</li> </ol>
	<p>When memory protection setting is ON</p>	<ol style="list-style-type: none"> <li>1) Time starts when INA input is ON.</li> <li>2) Setting value is initialized when Reset input is ON.</li> <li>3) Time progress stops while INHIBIT input is ON.</li> <li>4) Display value at the moment of power OFF is memorized.</li> </ol>
HOLD [H o L d ]	<p>When memory protection setting is OFF</p>	<ol style="list-style-type: none"> <li>1) Time progresses when INA input is ON.</li> <li>2) Time progress stops while INA input is OFF.</li> <li>3) When time reaches setting time, display value will stop and flash.</li> <li>4) When reset input is applied, display value is initialized.</li> <li>5) Resets when power is OFF.</li> </ol>
	<p>When memory protection setting is ON</p>	<ol style="list-style-type: none"> <li>1) Time progresses when INA input is ON.</li> <li>2) Time progress stops while INA input is OFF.</li> <li>3) When time reaches setting time, display value will stop and flash.</li> <li>4) When reset input is applied, display value is initialized.</li> <li>5) Display value the moment when power is OFF is memorized.</li> </ol>
On Time Display [o n t d ]	<p>When memory protection setting is OFF</p>	<p>※ON time indicate mode of INA input</p> <ol style="list-style-type: none"> <li>1) Time reset start operates when INA input turns ON.</li> <li>2) Time progress stops while INA input is OFF.</li> <li>3) When time progress stops and power is off, the display value is initialized.</li> <li>4) If progress time is greater than setting time when INA input turns off, display value flashes and operation stops until reset signal is applied.</li> </ol>
	<p>When memory protection setting is ON</p>	<p>※ON time indicate mode of INA input</p> <ol style="list-style-type: none"> <li>1) Time reset start operates when INA input turns ON.</li> <li>2) Time progress stops while INA input is OFF.</li> <li>3) When time progress stops and power is off, the display value is memorized.</li> <li>4) If progress time is greater than setting time when INA input turns off, display value flashes and operation stops until reset signal is applied.</li> </ol>

# Programmable Counter/Timer

## ■ Timer '0' Time Setting

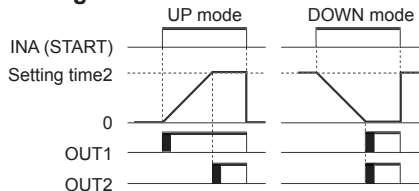
### ◎ Available output operation mode to set '0' time setting

*ond, ond.1, ond.2, nfd, nfd.1*

### ◎ Operation according to output mode (at 0 time setting)

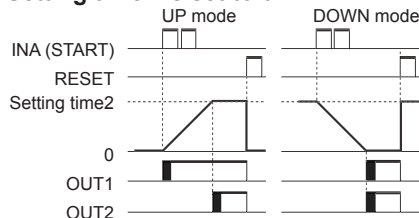
#### 1) OND (Signal ON Delay) mode [*ond*]

##### ● Setting time1 is set to 0



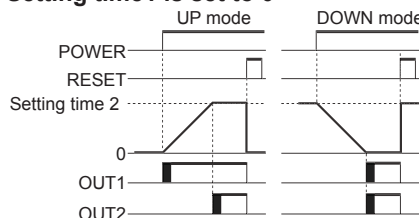
#### 2) OND.1 (Signal ON Delay 1) mode [*ond.1*]

##### ● Setting time1 is set to 0



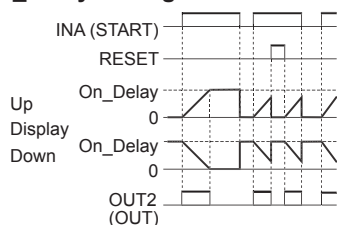
#### 3) OND.2 (Power ON Delay2) mode [*ond.2*]

##### ● Setting time1 is set to 0



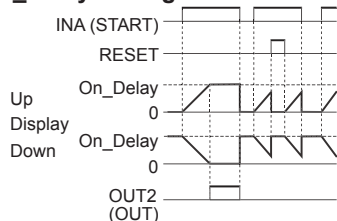
#### 4) NFD (ON-OFF Delay) mode [*nfd*]

##### ● OFF\_Delay setting time is set to 0



#### 5) NFD.1 (ON-OFF Delay1) mode [*nfd.1*]

##### ● OFF\_Delay setting time is set to 0



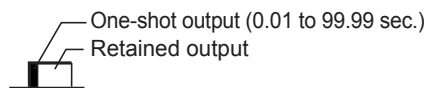
### ◎ Setting value1 (PS1) is higher than Setting value2 (PS2)

OND[*ond*], OND.1[*ond.1*] or OND.2[*ond.2*] output mode

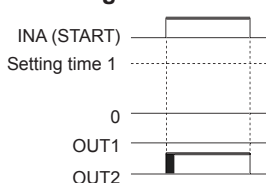
● UP mode: When the timer setting value1 is greater than the setting value 2, OUT1 output does not turn ON.

● DOWN mode: When the timer setting value1 is greater than the setting value 2, OUT1 output does not turn ON.

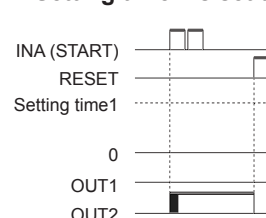
If the setting value 1 is same as the setting value2 and START signal is applied, OUT1 output turns ON immediately.



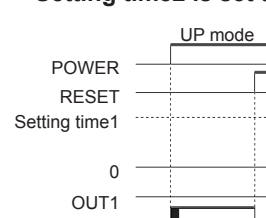
##### ● Setting time2 is set to 0



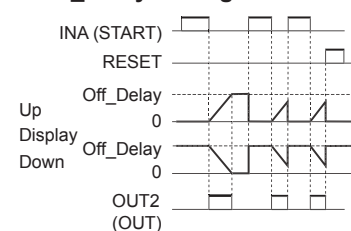
##### ● Setting time2 is set to 0



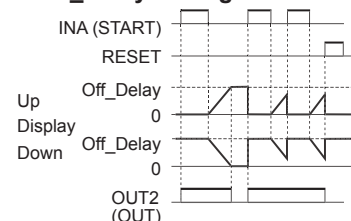
##### ● Setting time2 is set to 0



##### ● ON\_Delay setting time is set to 0



##### ● ON\_Delay setting time is set to 0



(A) Photoelectric Sensors

(B) Fiber Optic Sensors

(C) Door/Area Sensors

(D) Proximity Sensors

(E) Pressure Sensors

(F) Rotary Encoders

(G) Connectors/Sockets

(H) Temperature Controllers

(I) SSRs / Power Controllers

(J) Counters

(K) Timers

(L) Panel Meters

(M) Tacho / Speed / Pulse Meters

(N) Display Units

(O) Sensor Controllers

(P) Switching Mode Power Supplies

(Q) Stepper Motors & Drivers & Controllers

(R) Graphic/Logic Panels

(S) Field Network Devices

(T) Software

# CT Series

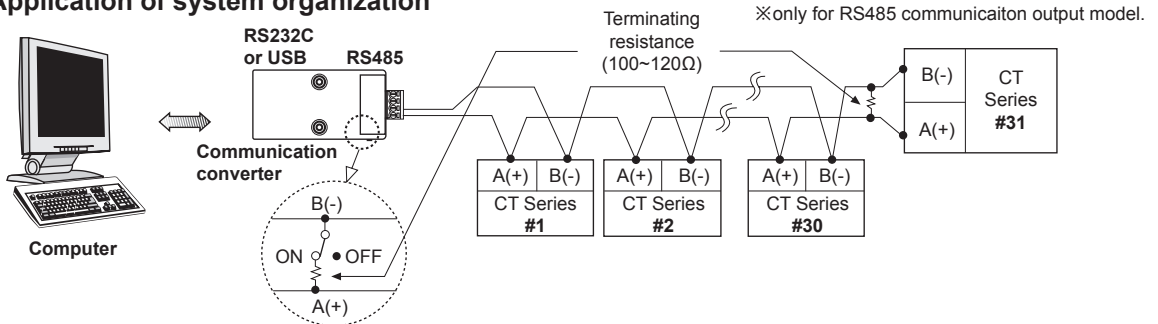
## ■ Communication Mode

### ◎ Parameter setting

(**[MD]** key: To select setting mode, **[▼]** or **[▲]** key: To change setting value)

Setting mode	How to set												
Comm. address [Rddr]	<p>◀: To shift flashing digits of Comm. address. <span style="float:right">※Setting range of Comm. address: 1 to 127</span></p> <p>☑ ▲: To change the flashing digits. <span style="float:right">※If the same address is applied during multiComm., it will not work correctly.</span></p>												
Comm. speed [bPS]	24 ↔ 48 ↔ 96 ↔ 192 ↔ 384 <span style="float:right">※2400/4800/9600/19200/38400bps</span>												
Comm. parity [Prty]	none ↔ EvEn ↔ odd <span style="float:right">※none: None EvEn: Even number odd: Odd number</span>												
Comm. stop bit [StP]	1 ↔ 2												
response waiting time [rStt]	<p>◀: To shift flashing digits position of Comm. response waiting time.</p> <p>☑ ▲: To change the flashing digits position value.</p> <table border="1" style="float:right"> <thead> <tr> <th colspan="2">※Setting range according to comm. speed.</th> </tr> </thead> <tbody> <tr> <td>2400bps</td> <td>16ms to 99ms</td> </tr> <tr> <td>4800bps</td> <td>8ms to 99ms</td> </tr> <tr> <td>9600bps</td> <td>5ms to 99ms</td> </tr> <tr> <td>19200bps</td> <td>5ms to 99ms</td> </tr> <tr> <td>38400bps</td> <td>5ms to 99ms</td> </tr> </tbody> </table>	※Setting range according to comm. speed.		2400bps	16ms to 99ms	4800bps	8ms to 99ms	9600bps	5ms to 99ms	19200bps	5ms to 99ms	38400bps	5ms to 99ms
※Setting range according to comm. speed.													
2400bps	16ms to 99ms												
4800bps	8ms to 99ms												
9600bps	5ms to 99ms												
19200bps	5ms to 99ms												
38400bps	5ms to 99ms												
Comm. write [EnD]	EnA ↔ d1 5A <span style="float:right">                     ※EnA: Permits Comm. write (Enable)                      d1 5A: Prohibits Comm. write (Disable)                 </span>												

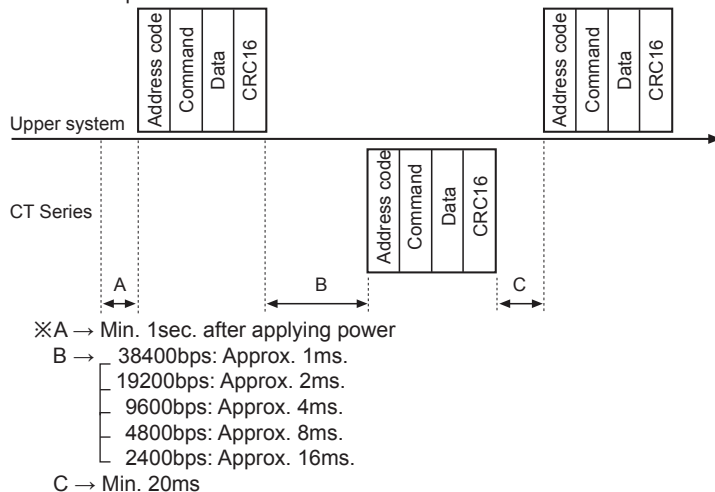
### ◎ Application of system organization



※It is recommended to use communication converter, RS485 to Serial converter (SCM-38I, sold separately), USB to RS485 converter (SCM-US48I, sold separately). Please use a proper twist pair for RS485 communication.

### ◎ Communication control ordering

1. The communication method is Modbus RTU (PI-MBUS-300-REV.J).
2. After 1sec. of power supply into the high order system, it starts to communicate.
3. Initial communication will be started by the high order system. When a command comes out from the high order system, CT Series will respond.



# Programmable Counter/Timer

## ◎ Communication command and block

The format of query and response

### 1) Read Coil Status (Func. 01 H), Read Input Status (Func. 02 H)

#### ● Query (Master)

Slave Address	Function	Starting Address		No. of Points		Error Check (CRC 16)	
		High	Low	High	Low	Low	High
1Byte	1Byte	1Byte	1Byte	1Byte	1Byte	1Byte	1Byte

← CRC 16 →

#### ● Response (Slave)

Slave Address	Function	Byte Count	Data			Error Check (CRC 16)	
			Low	High	Low	High	
1Byte	1Byte	1Byte	1Byte	1Byte	1Byte	1Byte	1Byte

← CRC 16 →

### 2) Read Holding Registers (Func. 03 H), Read Input Registers (Func. 04 H)

#### ● Query (Master)

Slave Address	Function	Starting Address		No. of Points		Error Check (CRC 16)	
		High	Low	High	Low	Low	High
1Byte	1Byte	1Byte	1Byte	1Byte	1Byte	1Byte	1Byte

← CRC 16 →

#### ● Response (Slave)

Slave Address	Function	Byte Count	Data			Error Check (CRC 16)	
			High	Low	High	Low	Low
1Byte	1Byte	1Byte	1Byte	1Byte	1Byte	1Byte	1Byte

← CRC 16 →

### 3) Force Single Coil. (Func 05 H)

#### ● Query (Master)

Slave Address	Function	Coil Address		Force Data		Error Check (CRC 16)	
		High	Low	High	Low	Low	High
1Byte	1Byte	1Byte	1Byte	1Byte	1Byte	1Byte	1Byte

← CRC 16 →

#### ● Response (Slave)

Slave Address	Function	Coil Address		Force Data		Error Check (CRC 16)	
		High	Low	High	Low	Low	High
1Byte	1Byte	1Byte	1Byte	1Byte	1Byte	1Byte	1Byte

← CRC 16 →

### 4) Preset Single Register (Func. 06 H)

#### ● Query (Master)

Slave Address	Function	Register Address		Preset Data		Error Check (CRC 16)	
		High	Low	High	Low	Low	High
1Byte	1Byte	1Byte	1Byte	1Byte	1Byte	1Byte	1Byte

← CRC 16 →

#### ● Response (Slave)

Slave Address	Function	Register Address		Preset Data		Error Check (CRC 16)	
		High	Low	High	Low	Low	High
1Byte	1Byte	1Byte	1Byte	1Byte	1Byte	1Byte	1Byte

← CRC 16 →

### 5) Preset Multiple Registers (Func. 10 H)

#### ● Query (Master)

Slave Address	Function	Starting Address		No. of Register		Byte Count	Data		Data		Error Check (CRC 16)	
		High	Low	High	Low		High	Low	High	Low	Low	High
1Byte	1Byte	1Byte	1Byte	1Byte	1Byte	1Byte	1Byte	1Byte	1Byte	1Byte	1Byte	1Byte

← CRC 16 →

#### ● Response (Slave)

Slave Address	Function	Starting Address		No. of Register		Error Check (CRC 16)	
		High	Low	High	Low	Low	High
1Byte	1Byte	1Byte	1Byte	1Byte	1Byte	1Byte	1Byte

← CRC 16 →

### 6) Application

Read Coil Status (Func. 01 H)

Master reads OUT2 00002 (0001H) to 00003 (0002H), OUT1 output status (ON: 1, OFF: 0) from the Slave (Address 01).

#### ● Query (Master)

Slave Address	Function	Starting Address		No. of Points		Error Check (CRC 16)	
		High	Low	High	Low	Low	High
01 H	01 H	00 H	01 H	00 H	02 H	EC H	0B H

On slave side OUT2 00003 (0002H): OFF,  
OUT1 00002 (0001H): ON

#### ● Response (Slave)

Slave Address	Function	Byte Count	Data (00003 to 00001)		Error Check (CRC 16)	
			Low	High	Low	High
01 H	01 H	01 H	02 H	D0 H	49 H	

Read Input Register (Func. 04 H) Master reads preset value 21004 (03EBH) to 21005 (03ECH) of counter/timer, Slave (Address 15).

#### ● Query (Master)

Slave Address	Function	Starting Address		No. of Points		Error Check (CRC 16)	
		High	Low	High	Low	Low	High
0F H	04 H	03 H	EB H	00 H	02 H	00 H	95 H

In case that the present value is 123456 (0001 E240 H) in slave side, 31004 (03EBH): E240 H, 31005 (03ECH): 0001H

#### ● Response (Slave)

Slave Address	Function	Byte Count	Data		Data		Error Check (CRC 16)	
			High	Low	High	Low	Low	High
0F H	04 H	04 H	E2 H	40 H	00 H	01 H	E2 H	28 H

(A) Photoelectric Sensors

(B) Fiber Optic Sensors

(C) Door/Area Sensors

(D) Proximity Sensors

(E) Pressure Sensors

(F) Rotary Encoders

(G) Connectors/ Sockets

(H) Temperature Controllers

(I) SSRs / Power Controllers

(J) Counters

(K) Timers

(L) Panel Meters

(M) Tacho / Speed / Pulse Meters

(N) Display Units

(O) Sensor Controllers

(P) Switching Mode Power Supplies

(Q) Stepper Motors & Drivers & Controllers

(R) Graphic/ Logic Panels

(S) Field Network Devices

(T) Software



## © Modbus Mapping Table

### 1) Reset/Output

No. (Address)	Func.	Explanation	Setting range	Notice
00001 (0000)	01/05	Reset	0:OFF 1:ON	—
00002 (0001)	01	OUT2 output	0:OFF 1:ON	—
00003 (0002)	01	OUT1 output	0:OFF 1:ON	—
00004 (0003)	01	BATCH output	0:OFF 1:ON	For BATCH output model
00005 (0004)	01/05	BATCH resets	0:OFF 1:ON	For BATCH output model

### 2) Terminal input status

No. (Address)	Func.	Explanation	Setting range	Notice
10001 (0000)	02	INA input status	0:OFF 1:ON	Terminal input status
10002 (0001)	02	INB input status	0:OFF 1:ON	Terminal input status
10003 (0002)	02	INHIBIT input status	0:OFF 1:ON	Terminal input status
10004 (0003)	02	RESET input status	0:OFF 1:ON	Terminal input status
10005 (0004)	02	BATCH RESET input status	0:OFF 1:ON	Terminal input status

### 3) Product Information

No. (Address)	Func.	Explanation	Notice
30001 to 30100	04	Reserved	—
30101 (0064)	04	Product number H	Model ID
30102 (0065)	04	Product number L	
30103 (0066)	04	Hardware version	—
30104 (0067)	04	Software version	—
30105 (0068)	04	Model no. 1	"CT"
30106 (0069)	04	Model no. 2	"6M"
30107 (006A)	04	Model no. 3	"-2"
30108 (006B)	04	Model no. 4	"PT"
30109 (006C)	04	Reserved	—
30110 (006D)	04	Reserved	—
30111 (006E)	04	Reserved	—
30112 (006F)	04	Reserved	—
30113 (0070)	04	Reserved	—
30114 (0071)	04	Reserved	—
30115 (0072)	04	Reserved	—
30116 (0073)	04	Reserved	—
30117 (0074)	04	Reserved	—
30118 (0075)	04	Coil Status Start Address	0000
30119 (0076)	04	Coil Status Quantity	—
30120 (0077)	04	Input Status Start Address	0000
30121 (0078)	04	Input Status Quantity	—
30122 (0079)	04	Holding Register Start Address	0000
30123 (007A)	04	Holding Register Quantity	—
30124 (007B)	04	Input Register Start Address	0064
30125 (007C)	04	Input Register Quantity	—

### 4) Monitoring data

No. (Address)	Func.	Explanation	Setting range	Notice
31001 (03E8)	04	BA.O LED display status	0:OFF 1:ON	Bit 5
		OUT2 LED display status	0:OFF 1:ON	Bit 6
		OUT1 LED display status	0:OFF 1:ON	Bit 7
		BA.S LED display status	0:OFF 1:ON	Bit 10
		LOCK LED display status	0:OFF 1:ON	Bit 11
		PS2 LED display status	0:OFF 1:ON	Bit 12
		PS1 LED display status	0:OFF 1:ON	Bit 13
		TMR LED display status	0:OFF 1:ON	Bit 14
CNT LED display status	0:OFF 1:ON	Bit 15		
31002 (03E9)	04	Present value of BATCH counter	0 to 999999	For BATCH output model
31003 (03EA)				
31004 (03EB)	04	Present value of counter/timer	Counter 6digit type: -99999 to 999999 4digit type: -999 to 9999 Timer: Within time setting range	Use counter and timer in common
31005 (03EC)				
31006 (03ED)	04	Display unit	Counter: decimal point of display value Timer: Time range	Counter: 40058 Data Timer: 40102 Data
31007 (03EE)	04	PS (2) setting value	Counter 6digit type: -99999 to 999999 4digit type: -999 to 9999 Timer: Within time setting range	Use counter and timer in common
31008 (03EF)				
31009 (03F0)	04	PS1 setting value	Counter 6digit type: -99999 to 999999 4digit type: -999 to 9999 Timer: Within time setting range	Use counter and timer in common
31010 (03F1)				
31011 (03F2)	04	Setting value of BATCH counter	0 to 999999	Use counter and timer in common
31012 (03F3)				
31013 (03F4)	04	Checking the input logic	0: NPN, 1: PNP	

#### • Date format of 31001 (03E8) address bit

Bit 15	Bit 14	Bit 13	Bit 12	Bit 11	Bit 10	Bit 9	Bit 8	Bit 7	Bit 6	Bit 5	Bit 4	Bit 3	Bit 2	Bit 1	Bit 0
CNT	TMR	PS1	PS2	LOCK	BA.S	—	—	OUT1	OUT2	BA.O	—	—	—	—	—
0 or 1	0 or 1	0 or 1	0 or 1	0 or 1	0 or 1	0	0	0 or 1	0 or 1	0 or 1	0	0	0	0	0

※2 Words data format: Upper data has high number address.

E.g.)31004: Present Value (Low Word),  
31005: Present Value (High Word)

### 5) Preset value setting group

No. (Address)	Func.	Explanation	Setting range	Notice
40001 (0000)	03 06 16	PS2 setting value	Counter 6digit type: 0 to 999999	Use counter and timer in common
40002 (0001)				
40003 (0002)	03 06 16	PS1 setting value	4digit type: 0 to 9999 Timer: Within time setting range	Use counter and timer in common
40004 (0003)				
40005 (0004)	03 06 16	BATCH counter setting value	0 to 999999	Use counter and timer in common
40006 (0005)				

# Programmable Counter/Timer

## 6) Function setting mode (Counter group)

No. (Address)	Func.	Explanation	Setting range	Notice
40051 (0032)	03/06/16	Counter/Timer [C - t]	1: C o U n 1: t i n E	Use counter and timer in common
40052 (0033)	03/06/16	Input mode [i n]	0: U P 5: d n - 2 1: U P - 1 6: U d - A 2: U P - 2 7: U d - b 3: d n 8: U d - C 4: d n - 1	—
40053 (0034)	03/06/16	Indication mode [d i S n]	0: t o t A L 1: H o L d	For the indicator
40054 (0035)	03/06/16	Output mode [o U t n]	0: F 3: r 6: A 9: t 1: n 4: E 7: A 10: d 2: C 5: P 8: S	—
40055 (0036)	03/06/16	Maximum counting speed [C P S]	0: 1 2: 1E 4: 10E 1: 30 3: 5E	—
40056 (0037)	03/06/16	OUT2 (OUT) output time	0000 to 9999	unit: ×10ms
40057 (0038)	03/06/16	OUT1 Output time	0000 to 9999	unit: ×10ms
40058 (0039)	03/06/16	Decimal point [d P]	0: - - - - - 2: - - - - - 4: - - - - - 1: - - - - - 3: - - - - - 5: - - - - -	4digit type 0: - - - - 1: - - - - 2: - - - - 3: - - - -
40059 (003A)	03/06/16	Min. reset time [r S t]	0: 1 1: 20	unit: ms
40060 (003B)	03/06/16	Prescale decimal point position [S C L d]	0: - - - - - 3: - - - - - 5: - - - - - 2: - - - - - 4: - - - - -	4digit type 1: - - - - 2: - - - - 3: - - - -
40061 (003C)	03/06/16	Prescale value [S C L]	6digit type: 000000 to 999999	Connected with prescale decimal point position
40062 (003D)			4digit type: 0000 to 9999	
40063 (003E)	03/06/16	Start value [S t r t]	6digit type: 000000 to 999999	Connected with decimal point position of display value
40064 (003F)			4digit type: 0000 to 9999	
40065 (0040)	03/06/16	Memory protection [d R t R]	0: C L r 1: r E C	Use counter and timer in common
40066 (0041)	03/06/16	Lock key [L o C k]	0: L o F F 1: L o C . 1 2: L o C . 2 3: L o C . 3	

## 7) Function setting mode (Timer group)

No. (Address)	Func.	Explanation	Setting range	Notice
40101 (0064)	03/06/16	Counter/Timer [C - t]	0: C o U n 1: t i n E	Use counter and timer in common
40102 (0065)	03/06/16	Time range [H o U r / m i n / S E C]	4digit type 0: 0.001s to 9.999s 5: 0.1m to 999.9m 1: 0.01s to 99.99s 6: 1m to 9999m 2: 0.1s to 999.9s 7: 1m to 99h59m 3: 1s to 9999s 8: 1h to 9999h 4: 1s to 99m59s 6digit type 0: 0.001s to 999.999s 6: 1s to 9999m59s 1: 0.01s to 9999.99s 7: 1m to 99999.9m 2: 0.1s to 99999.9s 8: 1m to 999999m 3: 1s to 999999s 9: 1s to 99h59m59s 4: 0.01s to 99m59.99s 10: 1m to 9999h59m 5: 0.1s to 999m59.9s 11: 0.1h to 99999.9h	—
40103 (0066)	03/06/16	UP/Down mode [U - d]	0: U P 1: d n	—
40104 (0067)	03/06/16	Output mode [o U t n]	0: o n d 3: F L E 7: i n t . 1 10: n F d 1: o n d . 1 4: F L E . 1 8: i n t . 2 11: n F d . 1 2: o n d . 2 5: F L E . 2 9: o F d 12: i n t . U	—
40105 (0068)	03/06/16	OUT2 (OUT) Output time [o U t 2]	0000 to 9999 (0: Hold)	unit: ×10ms
40106 (0069)	03/06/16	OUT1 Output time [o U t 1]	0000 to 9999 (0: Hold)	unit: ×10ms
40107 (006A)	03/06/16	Input signal time [i n t]	0: 1 1: 20	unit: ms
40108 (006B)	03/06/16	Memory protection [d R t R]	0: C L r 1: r E C	Use counter and timer in common
40109 (006C)	03/06/16	Lock key [L o C k]	0: L o F F 1: L o C . 1 2: L o C . 2 3: L o C . 3	Use counter and timer in common
40110 (006D)	03/06/16	Indication mode [d S P, n]	0: t o t A L 1: H o L d 2: o n t . d	For the indicator

(A) Photoelectric Sensors
(B) Fiber Optic Sensors
(C) Door/Area Sensors
(D) Proximity Sensors
(E) Pressure Sensors
(F) Rotary Encoders
(G) Connectors/ Sockets
(H) Temperature Controllers
(I) SSRs / Power Controllers
(J) Counters
(K) Timers
(L) Panel Meters
(M) Tacho / Speed / Pulse Meters
(N) Display Units
(O) Sensor Controllers
(P) Switching Mode Power Supplies
(Q) Stepper Motors & Drivers & Controllers
(R) Graphic/ Logic Panels
(S) Field Network Devices
(T) Software

## 8) Function setting mode (Communication group)

No. (Address)	Func.	Explanation	Setting range	Notice
40151 (0096)	03/06/16	Comm. address [Rddr]	1 to 127	—
40152 (0097)	03/06/16	Comm. speed [bP5]	0: 24 1: 48 2: 96 3: 192 4: 384	unit: ×100bps
40153 (0098)	03/06/16	Comm. parity [Prty]	0: none 1: Even 2: odd	—
40154 (0099)	03/06/16	Stop bit [StP]	0: 1 1: 2	—
40155 (009A)	03/06/16	Response waiting time [r5yt]	05 to 99	unit: ms
40156 (009B)	03/06/16	Comm. writing [cōy]	0: EnR 1: d! 5R	—

### ⊙ Exception processing

When communication error occurs, the highest bit of received function is set to 1, then sends response command and transmits exception code.

Slave Address	Function + 80H	Exception Code	Error Check (CRC16)	
			Low	High
1Byte	1Byte	1Byte	1Byte	1Byte

- Illegal Function (Exception Code: 01H): Not supporting command
- Illegal Data Address (Exception Code: 02H): Mismatch between the number of asked data and the number of anmittable data.
- Illegal Data Value (Exception Code: 03H): Mismatch between asked the number of data and transmittable the number of data in device
- Slave Device Failure (Exception Code: 04H): Command is processed incorrectly.

#### Example

Master reads output status (ON:1, OFF:0) of non existing coil 01001 (03E8 H) from Slave (Address17).

#### • Query (Master)

Slave Address	Function	Starting Address		No. of Points		Error Check (CRC16)	
		High	Low	High	Low	Low	High
11H	01H	03H	E8H	00H	01H	##H	##H

#### • Response (Slave)

Slave Address	Function + 80H	Exception Code	Error Check (CRC16)	
			Low	High
11H	81H	02H	##H	##H

## ▣ Read And Write Of Parameter Value Using Communication

### ⊙ Read of the parameter area

00002 (OUT2), 00003 (OUT1), 00004 (BA, 0), 10001 to 10005 (Terminal input), 30101 to 30125 (Product information), 31001 to 31013 (Monitoring data)

### ⊙ Read and write of the parameter area

00001 (Reset starts), 00005 (BATCH Reset starts), 40001 to 40006 (Setting value saving group), 40051 to 40066 (Counter setting group), 40101 to 40110 (Timer setting group), 40151 to 40156 (Communication setting group)

### ⊙ Read of communication

Read parameter value using communication. (Function: 01H, 02H, 03H, 04H)

It is able to read communication regardless of permitting/prohibiting communication writing.

### ⊙ Communication write

Change parameter value using communication. (Function: 05H, 06H, 10H)

- When changing the parameter setting value of '▣ Function setting mode Counter group' or '▣ Function setting mode Timer group' using communication, reset indication will flash in 3 sec. and display value will be reset. (Counting display value and progress time before changing parameter setting value are not saved.)
- When changing the parameter setting value of '▣ Preset value setting group' or '▣ Function setting mode Communication group' using communication, counting display value or progress time will not be reset.
- In prohibit writing communication setting (cōy = 1: d! 5R), a write command does not process.
- If setting value beyond the setting range, this setting value is substituted for the value within the setting range and then memorized.

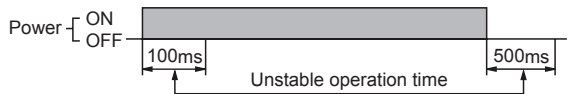
# Programmable Counter/Timer

## ■ Factory Default

	Parameter	Factory default
Counter	<i>ln</i>	<i>Ud-C</i>
	<i>oUt.n</i>	<i>F</i>
	<i>dSP.n</i>	<i>totRL</i>
	<i>CP5</i>	<i>30</i>
	<i>oUt2 (oUt.t)</i>	Hold (fixed)
	<i>oUt 1</i>	<i>00.10</i>
	<i>dP</i>	<i>-----</i>
	<i>rSt</i>	<i>20</i>
	<i>SiG</i>	<i>nPn</i>
	<i>SC.dP</i>	6-digit type: <i>-----</i> 4-digit type: <i>----</i>
	<i>SC.L</i>	6-digit type: <i>1.00000</i> 4-digit type: <i>1.000</i>
	<i>St.r.t</i>	<i>000000</i>
<i>dR.t.R</i>	<i>CLr</i>	
Timer	<i>HoUr/n/n/SEC</i>	6-digit type: <i>0.00 1s-999.999s</i> 4-digit type: <i>0.00 1s-9.999s</i>
	<i>U-d</i>	<i>UP</i>
	<i>dSP.n</i>	<i>totRL</i>
	<i>dR.t.R</i>	<i>CLr</i>
	<i>oUt.n</i>	<i>oNd</i>
	<i>oUt2 (oUt.t)</i>	<i>HoLd</i>
	<i>oUt 1</i>	<i>00.10</i>
	<i>SiG</i>	<i>nPn</i>
General	<i>ln.t</i>	<i>20</i>
	<i>LoCk</i>	<i>LoFF</i>
	<i>PS1</i>	<i>1000</i>
Comm.	<i>PS2</i>	<i>5000</i>
	<i>Addr</i>	<i>00 1</i>
	<i>bPS</i>	<i>96</i>
	<i>P.r.t.Y</i>	<i>nonE</i>
	<i>St.P</i>	<i>2</i>
<i>rSt</i>	<i>20</i>	
<i>Co.n.y</i>	<i>EnR</i>	

## ■ Cautions During Use

### ◎ Power ON/OFF



- The inner circuit voltage rises within 100ms after supplying the power to the unit. The input is unavailable at this period. Be sure that the inner circuit voltage drops within 500ms after turning OFF the power.

◎ In case of 24VAC / 24-48VDC model, power supply should be insulated and limited voltage/current or Class 2 power supply device.

### ◎ Input signal line

- Shorten the cable from the sensor to the unit.
- Use shield cable when input cable is longer.
- Wire the input signal line separately from power line.

### ◎ Input logic selection

Before selecting input logic, must cut off the power to counter/timer. Select the input logic following the instruction.

### ◎ Contact counting input (counter operation)

If apply contact input at high speed mode (1k, 5k, 10kcps), it may cause miscount by chattering. Therefore set low speed mode (1cps or 30cps) at contact input.

### ◎ Testing dielectric voltage or insulation resistance when the unit is installed at control panel

- Isolate the unit from the circuit of control panel.
- Short all terminals of the unit.

### ◎ Do not use the unit in the following environments.

- Environments with high vibration or shock.
- Environments with strong alkali or strong acid materials
- Environments with exposure to direct sunlight
- Near machinery which produce strong magnetic force or electric noise

### ◎ This product may be used in the following environments.

- Indoor
- Max. altitude: 2,000m
- Pollution degree 2
- Installation category II

(A) Photoelectric Sensors

(B) Fiber Optic Sensors

(C) Door/Area Sensors

(D) Proximity Sensors

(E) Pressure Sensors

(F) Rotary Encoders

(G) Connectors/ Sockets

(H) Temperature Controllers

(I) SSRs / Power Controllers

(J) Counters

(K) Timers

(L) Panel Meters

(M) Tacho / Speed / Pulse Meters

(N) Display Units

(O) Sensor Controllers

(P) Switching Mode Power Supplies

(Q) Stepper Motors & Drivers & Controllers

(R) Graphic/ Logic Panels

(S) Field Network Devices

(T) Software