

Autonics



Control Switch Series



Thank you very much for selecting Autonics products.
For your safety, please read the following before using.

■ Caution for your safety

※ Please keep these instructions and review them before using this unit.

※ Please observe the following for safety.

▲ Warning Serious injury may result if instructions are not followed.

▲ Caution Product may be damaged, or injury may result if instructions are not followed.

※ The following is an explanation of the symbols used in the operation manual.

▲ Caution: Injury or danger may occur under special conditions.

▲ Warning

1. In case of using this unit with machinery (Nuclear power control, medical equipment vehicle, train, airplane, combustion apparatus, entertainment or safety device etc), it is required to install fail-safe device.

It may cause a fire, human injury or damage to property.

2. It must be mounted on panel.

It may give an electric shock.

3. Do not repair or check units during power on.

It may give an electric shock.

4. Do not disassemble or modify this unit. Please contact us if it is required.

It may give an electric shock and cause a fire.

▲ Caution

1. This unit shall not be used outdoors.

It might shorten the life cycle of the product or give an electric shock.

2. Please observe the rated specifications.

It might shorten the life cycle of the product and cause a fire.

3. Do not use the load beyond rated switching capacity contact.

It may cause insulation failure, contact, melt, contact failure, etc.

4. In cleaning the unit, do not use water or an organic solvents.

It may give an electric shock and cause a fire.

5. Do not use this unit in place where there are flammable or explosive gas, humidity, direct ray of the sun, radiant heat, vibration and impact etc.

It may cause a fire or explosion.

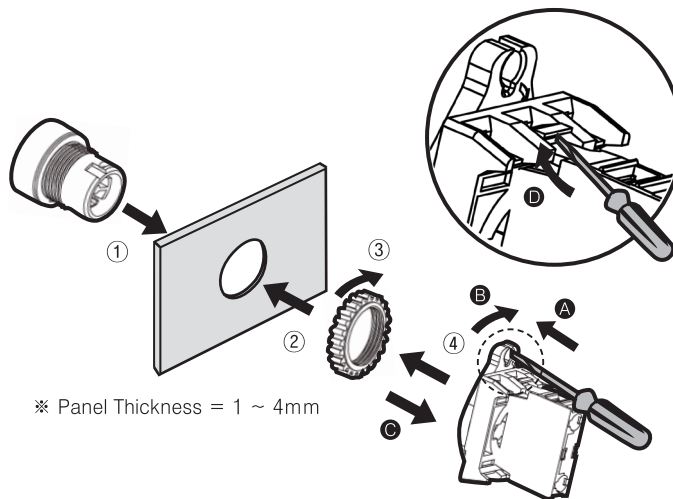
6. Do not inflow dust or wire dregs into the unit.

It may cause a fire or malfunction.

※ The above specifications are subject to change without notice.

■ Assembly Instruction

① → ② → ③ → ④



※ Panel Thickness = 1 ~ 4mm

■ Disassembly Instruction

A → B → C → D

※ Specifications and dimensions refer to our catalogue.

■ Major products

- Proximity sensors
- Power controllers
- Rotary encoders
- Fiber optic sensors
- Pressure sensors
- Door/Door side sensors
- Sensor controllers
- Photoelectric sensors
- Graphic/Logic panels
- Tachometer/Pulse(Rate) meters
- Switching power supplies
- Field network devices
- Temperature controllers
- Temperature/Humidity transducers
- Stepping motors/drivers/motion controllers
- Laser marking system(CO₂, Nd:YAG)
- Laser welding/soldering system
- Counters
- Area sensors
- Timers
- Display units
- Panel meters

Autonics Corporation
<http://www.autonics.com>

Satisfiable Partner For Factory Automation

■ HEAD QUARTERS :

41-5, Yongdang-dong, Yangsan-si, Gyeongnam, 626-847, Korea

■ OVERSEAS SALES :

Bldg. 402 3rd FL., Bucheon Techno Park, 193, Yakdae-dong, Wonmi-gu, Bucheon-si, Gyeonggi-do, 420-734, Korea
TEL : 82-32-610-2730 / FAX : 82-32-329-0728

■ E-mail : sales@autonics.com

The proposal of a product improvement and development : product@autonics.com

AS-KE-MA-C001A