



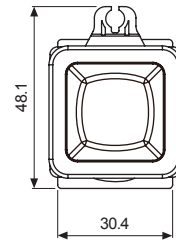


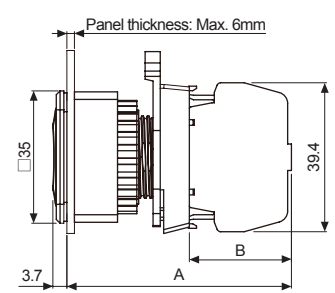
# 30 Push Button Switches

Type	Appearance	Model	Contact block		LED block				
			A contact	B contact	AC/DC voltage	AC voltage			
Flush (illuminated)	 <p>SQ3PFS-P3YU</p> 	Arrow (Left/Right)	SQ3PFS-P3LAD(M)	1	—	1	—		
			SQ3PFS-P3L2AD(M)	2	—				
			SQ3PFS-P3LBD(M)	—	1			—	1
			SQ3PFS-P3L2BD(M)	—	2				
			SQ3PFS-P3LABD(M)	1	1			—	1
			SQ3PFS-P3LAL(M)	1	—				
			SQ3PFS-P3L2AL(M)	2	—				
			SQ3PFS-P3LBL(M)	—	1	—	1		
			SQ3PFS-P3L2BL(M)	—	2				
			SQ3PFS-P3LABL(M)	1	1				
			Arrow (Up/Down)	SQ3PFS-P3UAD(M)	1	—	1	—	
				SQ3PFS-P3U2AD(M)	2	—			
		SQ3PFS-P3UBD(M)		—	1	—			1
		SQ3PFS-P3U2BD(M)		—	2				
		SQ3PFS-P3UABD(M)		1	1	—			1
		SQ3PFS-P3UAL(M)		1	—				
		SQ3PFS-P3U2AL(M)		2	—				
		SQ3PFS-P3UBL(M)		—	1		—	1	
		SQ3PFS-P3U2BL(M)		—	2				
		SQ3PFS-P3UABL(M)		1	1				

※□ indicates color: ■, ■, ■, ■, ■  
 ※Models with 'U' in the model name is available only for control unit. 'U' models do not contain "Push" markings on the button cap.  
 ※The M in the model name indicates modular type contact block. Models without M are singular contact block.  
 ※The control unit, contact blocks, LED blocks are sold separately.  
 (control unit: bold letters, contact block: regular letters)  
 ※The LED color is the same as the control unit.

• Dimensions (unit: mm)






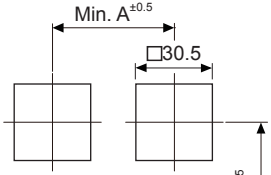

	A	B
Singular contact	59.4	27.0
Modular contact	57.4	25.0

※For panel cut-out dimensions, please refer to page A-112 page.

# □30 Panel Cut-out Dimensions

## □30 Panel Cut-out Dimensions

(unit: mm)

Type		A	B	Panel Cut-out Dimensions
Square Push Button Switches (SQ3PFS Series)		45	55	
Pilot Lights (LQ3RF Series)		37	55	