
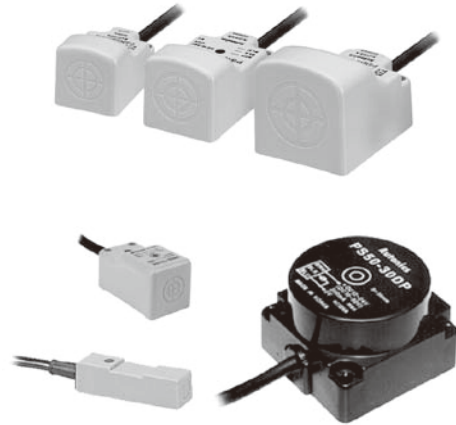


Rectangular type proximity sensor

■ Features

- Improved the noise resistance with dedicated IC
- Built-in reverse polarity protection circuit (DC 3-wire type)
- Built-in surge protection circuit
- Built-in overcurrent protection circuit(DC type)
- Long life cycle and high reliability
- Red LED status indication
- Protection structure IP67(IEC standard)

 Please read "Caution for your safety" in operation manual before using.



■ Specifications

● DC 2-wire type

※The existing PST17 is upgraded its function and design and changed as PSN17.
 ※The case color of Normal Close type is changed from orange to gray.

| Model | PSNT17-5DO PSNT17-5DC | PSNT17-5DOU PSNT17-5DCU |
|----------------------------------|---|-----------------------------------|
| Sensing distance | 5mm | |
| Hysteresis | Max. 10% of sensing distance | |
| Standard sensing target | 18×18×1mm(Iron) | |
| Setting distance | 0 to 3.5mm | |
| Power supply (Operating voltage) | 12-24VDC (10-30VDC) | |
| Leakage current | Max. 0.6mA | |
| Response frequency※1 | 700Hz | |
| Residual voltage | Max. 3.5V | |
| Affection by Temp. | Max. ±10% for sensing distance at ambient temperature 20°C | |
| Control output | 2 to 100mA | |
| Insulation resistance | Min. 50MΩ(at 500VDC megger) | |
| Dielectric strength | 1500VAC 50/60Hz for 1 minute | |
| Vibration | 1mm amplitude at frequency of 10 to 55Hz(for 1 min.) in each of X, Y, Z directions for 2 hours | |
| Shock | 500m/s ² (approx. 50G) in each of X, Y, Z directions for 3 times | |
| Indicator | Operation indicator(red LED) | |
| Environment | Ambient temperature | -25 to 70°C, storage: -30 to 80°C |
| | Ambient humidity | 35 to 95%RH, storage: 35 to 95%RH |
| Protection circuit | Surge protection circuit, Overcurrent protection circuit | |
| Protection | IP67(IEC standard) | |
| Cable | ø4, 3-wire, 2m (AWG22, Core diameter: 0.08mm, Number of cores: 60, Insulator out diameter: ø1.25) | |
| Approval | CE | |
| Unit weight | Approx. 71g | |

※1: The response frequency is the average value. The standard sensing target is used and the width is set as 2 times of the standard sensing target, 1/2 of the sensing distance for the distance.

※Environment resistance is rated at no freezing or condensation.

| | |
|-----|----------------------------------|
| (A) | Photo electric sensor |
| (B) | Fiber optic sensor |
| (C) | Door/Area sensor |
| (D) | Proximity sensor |
| (E) | Pressure sensor |
| (F) | Rotary encoder |
| (G) | Connector/Socket |
| (H) | Temp. controller |
| (I) | SSR/ Power controller |
| (J) | Counter |
| (K) | Timer |
| (L) | Panel meter |
| (M) | Tacho/ Speed/ Pulse meter |
| (N) | Display unit |
| (O) | Sensor controller |
| (P) | Switching mode power supply |
| (Q) | Stepper motor& Driver&Controller |
| (R) | Graphic/ Logic panel |
| (S) | Field network device |
| (T) | Software |
| (U) | Other |

PS/PSN Series

● DC 3-wire type

※ The existing PST17 is upgraded its function and design and changed as PSN17.
 ※ The case color of PNP output type is changed from orange to gray.

| | | | | | | | | | |
|----------------------------------|---|---|--|--|--|--|--|--|--|
| Model | PS12-4DN PS12-4DP PS12-4DN2 PS12-4DNU PS12-4DPU PS12-4DN2U | PSN17-5DN PSN17-5DP PSN17-5DN2 PSN17-5DP2 PSN17-5DNU PSN17-5DNU2 PSN17-5DPU PSN17-5DP2U PSN17-5DN-F | PSN17-8DN PSN17-8DP PSN17-8DN2 PSN17-8DP2 PSN17-8DNU PSN17-8DPU PSN17-8DN2U PSN17-8DP2U | PSN17-8DN-F PSN17-8DP-F PSN17-8DN2-F PSN17-8DP2-F PSN17-8DNU-F PSN17-8DPU-F PSN17-8DN2U-F PSN17-8DP2U-F | PSN25-5DN PSN25-5DP PSN25-5DN2 PSN25-5DP2 | PSN30-10DN PSN30-10DP PSN30-10DN2 PSN30-10DP2 | PSN30-15DN PSN30-15DP PSN30-15DN2 PSN30-15DP2 | PSN40-20DN PSN40-20DP PSN40-20DN2 PSN40-20DP2 | PS50-30DN PS50-30DP PS50-30DN2 PS50-30DP2 |
| Sensing distance | 4mm | 5mm | 8mm | 5mm | 10mm | 15mm | 20mm | 30mm | |
| Hysteresis | Max. 10% of sensing distance | | | | | | | | |
| Standard sensing target | 12×12×1mm (Iron) | 18×18×1mm (Iron) | 25×25×1mm (Iron) | | | 30×30×1mm (Iron) | 45×45×1mm (Iron) | 60×60×1mm (Iron) | 90×90×1mm (Iron) |
| Setting distance | 0 to 2.8mm | 0 to 3.5mm | 0 to 5mm | | 0 to 3.5mm | 0 to 7mm | 0 to 10.5mm | 0 to 14mm | 0 to 21mm |
| Power supply (Operation voltage) | 12-24VDC (10-30VDC) | | | | | | | | |
| Current consumption | Max. 10mA | | | | | | | | |
| Response frequency※1 | 500Hz | 700Hz | 200Hz | 300Hz | 250Hz | 200Hz | 100Hz | 50Hz | |
| Residual voltage | Max. 1.5V | | | | | | | | |
| Affection by Temp. | Max. ±10% for sensing distance at ambient temperature 20°C | | | | | | | | |
| Control output | Max. 200mA | | | | | | | | |
| Insulation resistance | Min. 50MΩ (at 500VDC megger) | | | | | | | | |
| Dielectric strength | 1500VAC 50/60Hz for 1 minute | | | | | | | | |
| Vibration | 1mm amplitude at frequency of 10 to 55Hz (for 1 min.) in each of X, Y, Z directions for 2 hours | | | | | | | | |
| Shock | 500m/s ² (approx. 50G) in each of X, Y, Z directions for 3 times | | | | | | | | |
| Indicator | Operation indicator (red LED) | | | | | | | | |
| Environment | Ambient temperature | -25 to 70°C, storage: -30 to 80°C | | | | | | | |
| | Ambient humidity | 35 to 95%RH, storage: 35 to 95%RH | | | | | | | |
| Protection circuit | Surge protection circuit, Overcurrent protection circuit, Reverse polarity protection circuit | | | | | | | | |
| Protection | IP67 (IEC standard) | | | | | | | | |
| Cable | ø4, 3-wire, 2m | | | | | | | | ø5, 3-wire, 2m |
| | (AWG22, Core diameter: 0.08mm, Number of cores: 60, Insulator out diameter: ø1.25) | | | | | | | | |
| Material | Case: Heat-resistant ABS, Standard cable (Black): Polyvinyl chloride (PVC). | | | | | | | | |
| Approval | CE | | | | | | | | |
| Unit weight | Approx. 62g | Approx. 71g | Approx. 70g | | | Approx. 111g | Approx. 185g | Approx. 220g | |

● AC 2-wire type

※ The case color of Normally Closed type is changed from orange to gray.

| | | | | |
|----------------------------------|---|-----------------------------------|--------------------------|--------------------------|
| Model | PSN25-5AO PSN25-5AC | PSN30-10AO PSN30-10AC | PSN30-15AO PSN30-15AC | PSN40-20AO PSN40-20AC |
| Sensing distance | 5mm | 10mm | 15mm | 20mm |
| Hysteresis | Max. 10% of sensing distance | | | |
| Standard sensing target | 25×25×1mm (Iron) | 30×30×1mm (Iron) | 45×45×1mm (Iron) | 60×60×1mm (Iron) |
| Setting distance | 0 to 3.5mm | 0 to 7mm | 0 to 10.5mm | 0 to 14mm |
| Power supply (Operating voltage) | 100-240VAC (85-264VAC) | | | |
| Leakage current | Max. 2.5mA | | | |
| Response frequency※1 | 20Hz | | | |
| Residual voltage | Max. 10V | | | |
| Affection by Temp. | Max. ±10% for sensing distance at ambient temperature 20°C | | | |
| Control output | 5 to 200mA | | | |
| Insulation resistance | Min. 50MΩ (at 500VDC megger) | | | |
| Dielectric strength | 1500VAC 50/60Hz for 1 minute | | | |
| Vibration | 1mm amplitude at frequency of 10 to 55Hz (for 1 min.) in each of X, Y, Z directions for 2 hours | | | |
| Shock | 500m/s ² (approx. 50G) in X, Y, Z direction for 3 times | | | |
| Indicator | Operation indicator (red LED) | | | |
| Environment | Ambient temperature | -25 to 70°C, storage: -30 to 80°C | | |
| | Ambient humidity | 35 to 95%RH, storage: 35 to 95%RH | | |
| Protection circuit | Surge protection circuit | | | |
| Protection | IP67 (IEC standard) | | | |
| Cable | ø4, 2-wire, 2m (AWG22, Core diameter: 0.08mm, Number of cores: 60, Insulator out diameter: ø1.25) | | | |
| Approval | CE | | | |
| Unit weight | Approx. 65g | Approx. 106g | | Approx. 152g |

※1: The response frequency is the average value. The standard sensing target is used and the width is set as 2 times of the standard sensing target, 1/2 of the sensing distance for the distance.

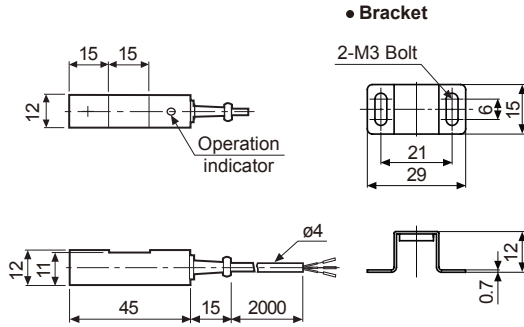
※ Environment resistance is rated at no freezing or condensation.

Rectangular type

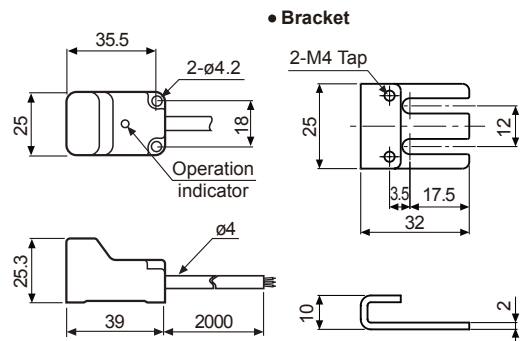
■ Dimensions

(unit: mm)

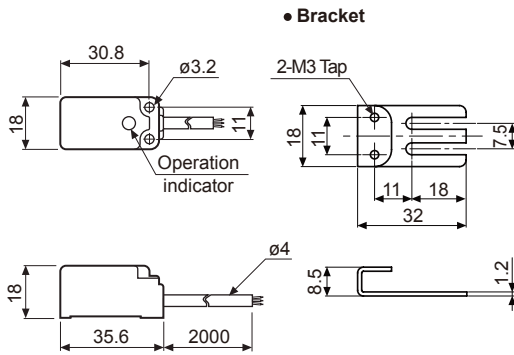
● PS12



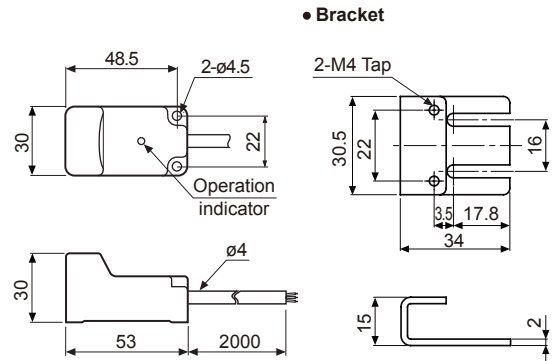
● PSN25



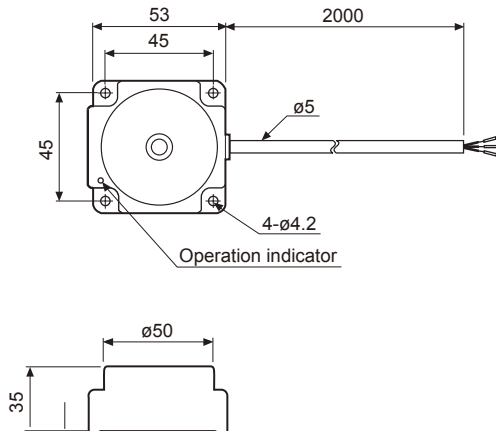
● PSN17 / PSNT17(former : PS17/ PST17)



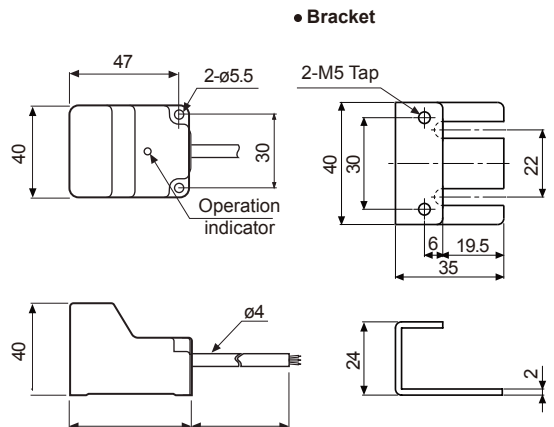
● PSN30



● PS50



● PSN40



(A) Photo electric sensor

(B) Fiber optic sensor

(C) Door/Area sensor

(D) Proximity sensor

(E) Pressure sensor

(F) Rotary encoder

(G) Connector/Socket

(H) Temp. controller

(I) SSR/ Power controller

(J) Counter

(K) Timer

(L) Panel meter

(M) Tacho/ Speed/ Pulse meter

(N) Display unit

(O) Sensor controller

(P) Switching mode power supply

(Q) Stepper motor& Driver&Controller

(R) Graphic/ Logic panel

(S) Field network device

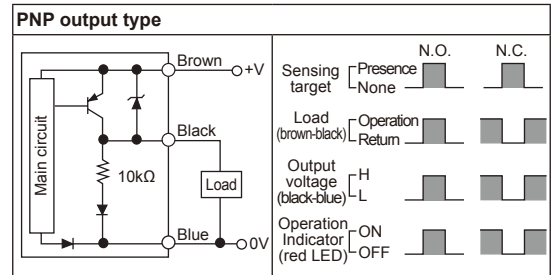
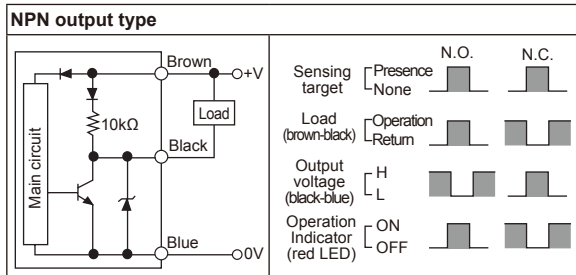
(T) Software

(U) Other

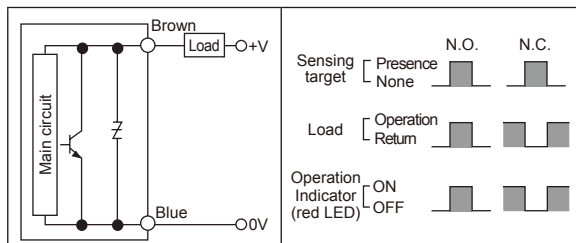
PS/PSN Series

■ Control output diagram

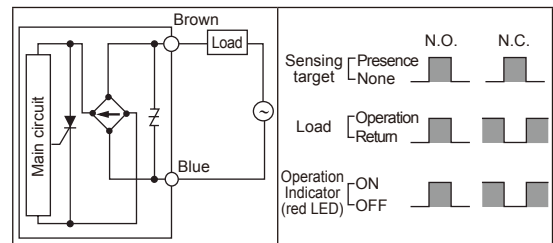
◎ DC 3-wire type



◎ DC 2-wire type

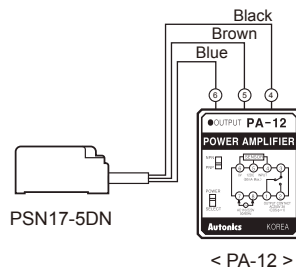
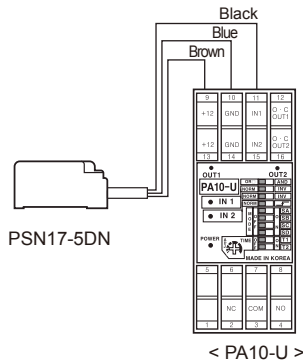


◎ AC 2-wire type



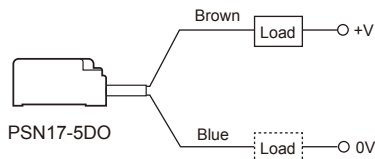
■ Connections

◎ DC 3-wire type



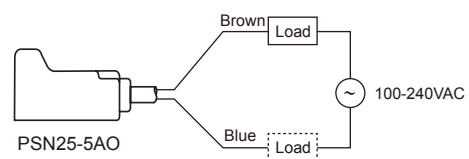
※There is NPN/PNP selection switch in PA-12.

◎ DC 2-wire type



※The load can be connected to either wire.

◎ AC 2-wire type

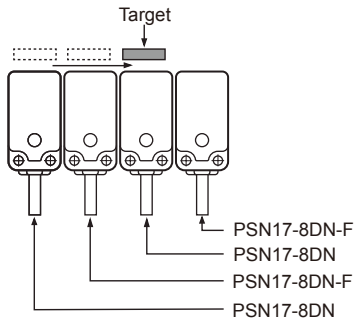


※The load can be connected to either wire.

Rectangular type

■ Proper usage

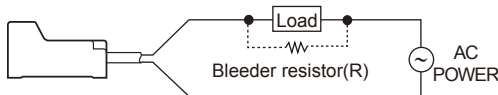
◎ Differential frequency



When installing several proximity sensor closely, it may cause malfunction due to mutual interference. Therefore, please use differential frequency for the application
 ※Differential frequency type is only for 17 square.

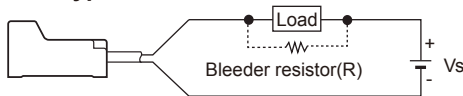
◎ In case of the load current is small

● AC 2-wire type

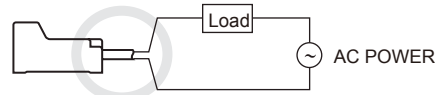


110VAC : Min. 20kΩ 3W
 220VAC : Min. 39kΩ 10W

● DC 2-wire type



◎ Connection of the power supply



When using DC 2-wire and AC 2-wire type, a load must be connected before applying power; otherwise, components can be damaged.

It may cause return failure of load by residual voltage. If the load current is under 5mA, please make sure the residual voltage is less than the return voltage of the load by connecting a bleeder resistor in parallel with the load as shown in the diagram.

$$R = \frac{V_s}{I} (\Omega) \quad P = \frac{V_s^2}{R} (W)$$

[I : Action current of load, R: Bleeder resistance, P: Permissible power]

Please make the current on proximity sensor smaller than the return current of load by connecting a Bleeder resistor in parallel.

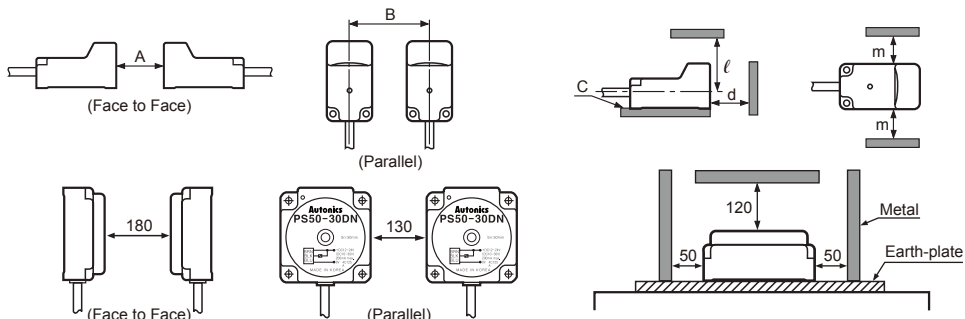
※W value of Bleeder resistor should be bigger for proper heat dissipation.

$$R = \frac{V_s}{I_o - I_{off}} (\Omega) \quad P = \frac{V_s^2}{R} (W)$$

[Vs : Power supply, I_o : Min. action current of proximity sensor, I_{off} : Return current of load, P : Number of Bleeder resistance watt]

◎ Mutual-interference & Influence by surrounding metals

When several proximity sensors are mounted close to one another a malfunction of the may be caused due to mutual interference. Therefore, be sure to provide a minimum distance between the two sensors as below chart indicates.



(unit: mm)

| Item | Model | PSN17 / PSNT17 | | | PSN25 | | PSN30 | | PSN40 |
|------|-------|----------------|-----|-----|-------|------|-------|------|-------|
| | | 4mm | 5mm | 8mm | 5mm | 10mm | 15mm | 20mm | |
| A | | 24 | 30 | 48 | 30 | 60 | 90 | 120 | |
| B | | 24 | 36 | 40 | 40 | 50 | 65 | 70 | |
| C | | 5 | 5 | 5 | 5 | 5 | 5 | 5 | |
| d | | 12 | 15 | 24 | 15 | 30 | 45 | 60 | |
| l | | 18 | 24 | 33 | 25 | 30 | 45 | 45 | |
| m | | 12 | 18 | 20 | 20 | 25 | 35 | 35 | |

| | |
|-----|----------------------------------|
| (A) | Photo electric sensor |
| (B) | Fiber optic sensor |
| (C) | Door/Area sensor |
| (D) | Proximity sensor |
| (E) | Pressure sensor |
| (F) | Rotary encoder |
| (G) | Connector/ Socket |
| (H) | Temp. controller |
| (I) | SSR/ Power controller |
| (J) | Counter |
| (K) | Timer |
| (L) | Panel meter |
| (M) | Tacho/ Speed/ Pulse meter |
| (N) | Display unit |
| (O) | Sensor controller |
| (P) | Switching mode power supply |
| (Q) | Stepper motor& Driver&Controller |
| (R) | Graphic/ Logic panel |
| (S) | Field network device |
| (T) | Software |
| (U) | Other |