
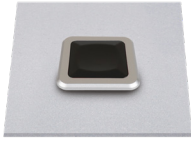
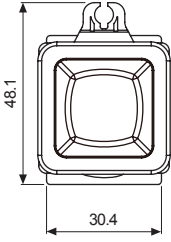
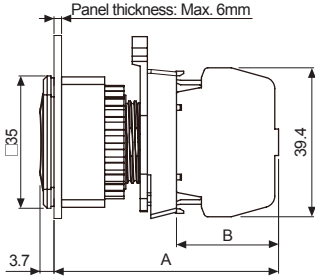


□30 Square Push Button Switches (SQ3PFS Series)

Type	Appearance	Model	Contact block		LED block										
			A contact	B contact	AC/DC voltage	AC voltage									
Flush	 <p>SQ3PFS-P1□</p> 	SQ3PFS-P1 □A(M)	1	—	—	—									
		SQ3PFS-P1 □2A(M)	2	—											
		SQ3PFS-P1 □3A(M)	3	—											
		SQ3PFS-P1 □B(M)	—	1											
		SQ3PFS-P1 □2B(M)	—	2											
		SQ3PFS-P1 □3B(M)	—	3											
		SQ3PFS-P1 □AB(M)	1	1											
		SQ3PFS-P1 □2AB(M)	2	1											
		SQ3PFS-P1 □A2B(M)	1	2											
		<p>※□ indicates color: R, B, G, Y, K</p> <p>※The M in the model name indicates modular type contact block. Models without M are singular contact block.</p> <p>※The control unit, contact blocks, LED blocks are sold separately. (control unit: bold letters, contact block: regular letters)</p> <p>• Dimensions (unit: mm)</p> <div style="display: flex; justify-content: space-around; align-items: flex-start;"> <div style="text-align: center;">  </div> <div style="text-align: center;">  </div> <div style="border: 1px solid black; padding: 5px;"> <table border="1"> <thead> <tr> <th></th> <th>A</th> <th>B</th> </tr> </thead> <tbody> <tr> <td>Singular type</td> <td>59.4</td> <td>27.0</td> </tr> <tr> <td>Modular type</td> <td>57.4</td> <td>25.0</td> </tr> </tbody> </table> </div> </div> <p style="text-align: right;">※For panel cut-out dimensions, please refer to page A-112.</p>								A	B	Singular type	59.4	27.0	Modular type
	A	B													
Singular type	59.4	27.0													
Modular type	57.4	25.0													



□30 Push Button Switches

Control Switches

Ø16

Ø22/25

Ø30

□30

Push Button Switches

Round

Square

Rectangular

Selector Switches

Round

Square

Rectangular

Key Selector Switches

Round

Square

Rectangular

Double Push Button Switches



Mushroom-head Push Button Switches

Emergency Switches

Pilot Lights

Accessories

Buzzers

Type	Appearance	Model	Contact block		LED block		
			A contact	B contact	AC/DC voltage	AC voltage	
Flush (illuminated)	 SQ3PFSU-P3Y□ 	Standard/ Modular contact	SQ3PFS(U)-P3□ADM	1	—	1	—
			SQ3PFS(U)-P3□2ADM	2	—		
			SQ3PFS(U)-P3□BDM	—	1		
			SQ3PFS(U)-P3□2BDM	—	2		
			SQ3PFS(U)-P3□ABDM	1	1		
			SQ3PFS(U)-P3□ALM	1	—	—	1
			SQ3PFS(U)-P3□2ALM	2	—		
			SQ3PFS(U)-P3□BLM	—	1		
			SQ3PFS(U)-P3□2BLM	—	2		
			SQ3PFS(U)-P3□ABLM	1	1		

※□ indicates color: **R**, **B**, **G**, **Y**, **W**

※The control unit, contact blocks, LED blocks are sold separately.

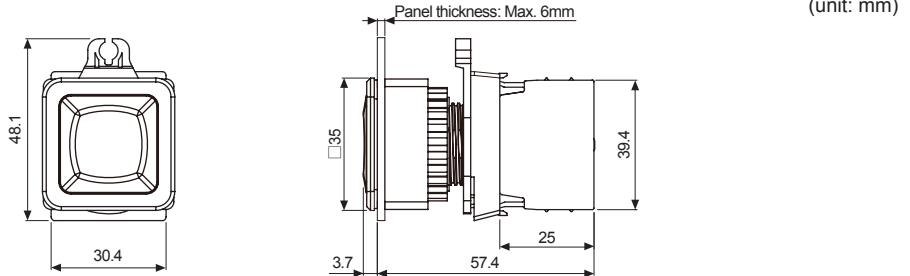
(control unit: bold letters, contact block: regular letters)

※Control unit+contact block (modular type) models do not contain "Push" markings on the button cap.



※Models with 'U' in the model name is available only for control unit. 'U' models do not contain "Push" markings on the button cap.

※The LED color is the same as the control unit.

• Dimensions



※For panel cut-out dimensions, please refer to page A-112 page.

Appearance	Model	Contact block		LED block		
		A contact	B contact	AC/DC voltage	AC voltage	
 SQ3PFS-P3Y□ 	Standard/ Singular contact	SQ3PFS(U)-P3□AD	1	—	1	—
		SQ3PFS(U)-P3□2AD	2	—		
		SQ3PFS(U)-P3□BD	—	1		
		SQ3PFS(U)-P3□2BD	—	2		
		SQ3PFS(U)-P3□ABD	1	1		
		SQ3PFS(U)-P3□AL	1	—	—	1
		SQ3PFS(U)-P3□2AL	2	—		
		SQ3PFS(U)-P3□BL	—	1		
		SQ3PFS(U)-P3□2BL	—	2		
		SQ3PFS(U)-P3□ABL	1	1		

※□ indicates color: **R**, **B**, **G**, **Y**, **W**

※The control unit, contact blocks, LED blocks are sold separately.

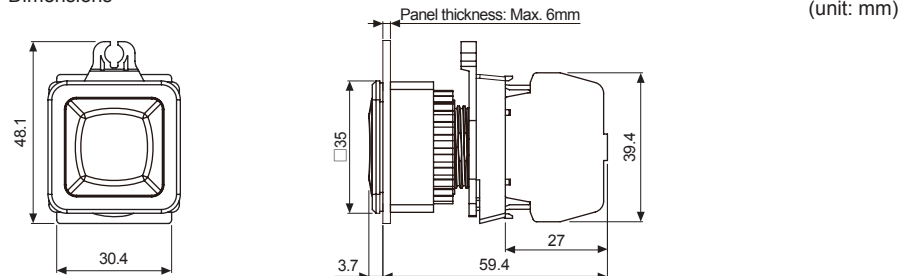
(control unit: bold letters, contact block: regular letters)

※Control unit+contact block (singular type) models contain "Push" markings on the button cap.

※Models with 'U' in the model name is available only for control unit. 'U' models do not contain "Push" markings on the button cap.

※The LED color is the same as the control unit.

• Dimensions


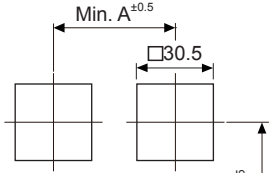



※For panel cut-out dimensions, please refer to page A-112 page.

□30 Panel Cut-out Dimensions

□30 Panel Cut-out Dimensions

(unit: mm)

Type		A	B	Panel Cut-out Dimensions
Square Push Button Switches (SQ3PFS Series)		45	55	
Pilot Lights (LQ3RF Series)		37	55	