


# TZN/TZ Series

## Dual PID Auto Tuning Control

### ■ Features

- Dual PID auto tuning function:  
High-speed response of PID control to reach to the desired value fast, low-speed of response of PID control to minimize the overshoot even though response is a little bit slow.
- High display accuracy:  $\pm 0.3\%$  (by F.S. value of each input)
- 2-step auto tuning control function
- Multi-input function  
(13 kinds of multi-input selection function):  
Temperature sensor, voltage and current selection function.
- Various sub output function:  
Includes in LBA, SBA, 7 kinds of alarm output and 4 kinds of alarm option function, PV transmission output (DC4-20mA), RS485 communication output
- Display the decimal point for analog input




 Please read "Caution for your safety" in operation manual before using.



(except AC/DC voltage type)

### ■ Ordering Information

<b>TZ</b>	<b>4</b>	<b>M</b>	<b>-</b>	<b>1</b>	<b>4</b>	<b>R</b>
Item	Digit	Size	Option output	Power supply	Control output	TZ4SP/TZN4S
						TZ4ST
						Others
						TZN4
						TZ4
						TZ4/TZN4
						4
						TZ
						TZN
						R
S	SSR drive output					
C	Current output(DC4-20mA)					
2	24VAC 50/60Hz, 24-48VDC <sup>※1</sup>					
4	100-240VAC 50/60Hz					
1	Event 1 output					
1	Event 1 output					
2	Event 1 + Event 2 output					
R	Event 1 + PV transmission output(DC4-20mA)					
1	Event 1 output					
2	Event 1 + Event 2 output					
R	Event 1 + PV transmission output(DC4-20mA)					
A	Event 1 + Event 2 + PV transmission output(DC4-20mA)					
T	Event 1 + RS485 communication output					
B	Event 1 + Event 2 + RS485 communication output					
S	DIN W48×H48mm (terminal block type)					
SP	DIN W48×H48mm (plug type) <sup>※2</sup>					
ST	DIN W48×H48mm (terminal block type)					
M	DIN W72×H72mm					
W	DIN W96×H48mm					
H	DIN W48×H96mm					
L	DIN W96×H96mm					
4	9999(4digit)					
TZ	Temperature Controller					
TZN	Temperature Controller					



※The unit cannot be configured with any random combination from the above ordering information. Please refer to  Specifications for possible configurations.

※1: Only applies to TZ4SP, TZ4ST, TZ4L, and TZN4M.

※2: 11-pin sockets (PG-11, PS-11(N)) are sold separately.

# Dual PID Auto Tuning Control

## ■ Specifications

Series		TZ4SP TZN4S	TZ4ST	TZ4M TZN4M	TZ4W TZN4W	TZ4H TZN4H	TZ4L TZN4L
Power supply	AC power	100-240VAC 50/60Hz					
	AC/DC power <sup>※1</sup>	24VAC 50/60Hz, 24-48VDC					
Allowable voltage range		90 to 110% of rated power voltage					
Power consumption	AC power	Max. 5VA (100-240VAC 50/60Hz)		Max. 6VA (100-240VAC 50/60Hz)			
	AC/DC power <sup>※1</sup>	Max. 7VA (24VAC 50/60Hz), Max. 6W (24-48VDC)		Max. 8VA (24VAC 50/60Hz), Max. 7W (24-48VDC)		Max. 8VA(24VAC 50/60Hz), Max. 7W (24-48VDC)	
Display method		7-segment LED (PV: red, SV: green)					
Character size	PV (W×H)	<b>TZ4SP:</b> 4.8×7.8mm <b>TZN4S:</b> 7.8×11.0mm	4.8×7.8mm	<b>TZ4M:</b> 9.8×14.2mm <b>TZN4M:</b> 8.0×13.0mm	8.0×10.0mm	<b>TZ4H:</b> 3.8×7.6mm <b>TZN4H:</b> 7.8×11.0mm	9.8×14.2mm
	SV (W×H)	<b>TZ4SP:</b> 4.8×7.8mm <b>TZN4S:</b> 5.8×8.0mm		<b>TZ4M:</b> 8.0×10.0mm <b>TZN4M:</b> 5.0×9.0mm		<b>TZ4H:</b> 3.8×7.6mm <b>TZN4H:</b> 5.8×8.0mm	
Input type	RTD	DPt100Q, JPt100Q, 3-wire (allowed resistance: max. 5Ω per line)					
	TC	K(CA), J(IC), R(PR), E(CR), T(CC), S(PR), N(NN), W(TT)(allowed resistance: max. 100Ω per line)					
	Analog	1-5VDC, 0-10VDC, DC4-20mA					
Display accuracy		F.S. ±0.3% or 3°C, greater value					
Control output	Relay	250VAC 3A 1c					
	SSR	Max. 12VDC ±3V 30mA					
	Current	DC4-20mA(load resistance max. 600Ω)					
Option output	EVENT1	250VAC 1A 1a					
	EVENT2	—		250VAC 1A 1a			
	PV transmission	—		DC4-20mA(load resistance max. 600Ω)			
	Communication	—		RS485 communication			
Control method		ON/OFF, P, PI, PD, PIDF, PIDS control					
Alarm output hysteresis		1 to 100°C (0.1 to 100.0°C) variable					
Proportional band (P)		0.0 to 100.0%					
Integral time (I)		0 to 3,600 seconds					
Derivative time (D)		0 to 3,600 seconds					
Control period (T)		1 to 120 seconds					
Sampling period		0.5 seconds					
LBA setting		1 to 999 seconds					
Ramp setting		Ramp Up, Ramp Down: 1 to 99 minutes each					
Dielectric strength		2,000VAC 50/60Hz for 1 min. (between input and power terminals)					
Vibration	Mechanical	0.75mm amplitude at frequency 10 to 55Hz (for 1 min.) in each X, Y, Z direction for 2 hours					
	Electrical	0.5mm amplitude at frequency 10 to 55Hz (for 1 min.) in each X, Y, Z direction for 10 min.					
Relay life cycle	Control output	Mechanical: Min. 10,000,000 operations, Electrical: Min. 100,000 operations (250VAC 3A resistance load)					
	Option output	Mechanical: Min. 20,000,000 operations, Electrical: Min. 500,000 operations (250VAC 1A resistance load)					
Insulation resistance		Over 100MΩ (at 500VDC megger)					
Noise	AC power	Square shaped noise by noise simulator (pulse width 1μs) ±2kV R-phase, S-phase					
	AC/DC power <sup>※1</sup>	Square shaped noise by noise simulator (pulse width 1μs) ±500V R-phase, S-phase		Square shaped noise by noise simulator (pulse width 1μs) ±2kV R-phase, S-phase			
Memory retention		Approx. 10 years (non-volatile semiconductor memory type)					
Environment	Ambient temp.	-10 to 50°C, storage: -20 to 60°C					
	Ambient humi.	35 to 85%RH, storage: 35 to 85%RH					
Approval		  us(except AC/DC power type)					
Weight <sup>※2</sup>	<b>TZ4SP:</b> Approx. 205g (Approx. 144g)	Approx. 218g (Approx. 162g)	<b>TZ4M:</b> Approx. 360g (Approx. 228g)	<b>TZ4W:</b> Approx. 365g (Approx. 246g)	<b>TZ4H:</b> Approx. 365g (Approx. 246g)	<b>TZ4L:</b> Approx. 474g (Approx. 304g)	
	<b>TZN4S:</b> Approx. 226g (Approx. 164g)		<b>TZN4M:</b> Approx. 355g (Approx. 246g)	<b>TZN4W:</b> Approx. 351g (Approx. 232g)	<b>TZN4H:</b> Approx. 351g (Approx. 232g)	<b>TZN4L:</b> Approx. 474g (Approx. 303g)	

※1: AC/DC power models are only available for TZ4SP, TZ4ST, TZ4L, TZN4M

※2: The weight includes packaging. The weight in parentheses is for unit only.

※Environment resistance is rated at no freezing or condensation.

(A) Photoelectric Sensors

(B) Fiber Optic Sensors

(C) Door/Area Sensors

(D) Proximity Sensors

(E) Pressure Sensors

(F) Rotary Encoders

(G) Connectors/ Sockets

(H) Temperature Controllers

(I) SSRs / Power Controllers

(J) Counters

(K) Timers

(L) Panel Meters

(M) Tacho / Speed / Pulse Meters

(N) Display Units

(O) Sensor Controllers

(P) Switching Mode Power Supplies

(Q) Stepper Motors & Drivers & Controllers

(R) Graphic/ Logic Panels

(S) Field Network Devices

(T) Software

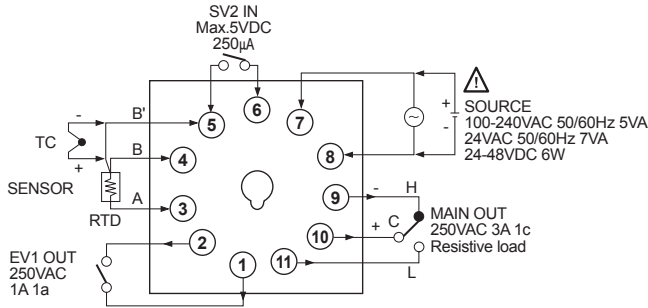
# TZN/TZ Series

## ■ Connections

※RTD: DPT100Ω (3-wire type), JPT100Ω (3-wire type) ※T.C (Thermocouple): K, J, R, E, T, S, W, N

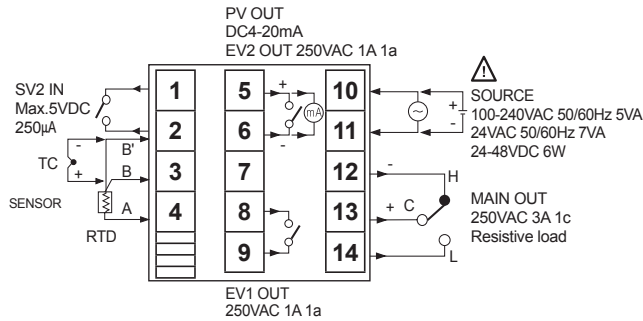
※In case of Analog input, please use T.C (Thermocouple) terminal and be careful about polarity.

### ● TZ4SP



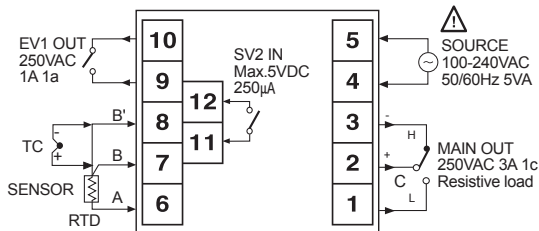
MAIN OUT	
SSR	Current
12VDC ±3V 30mA Max.	DC4-20mA Load 600Ω Max.

### ● TZ4ST



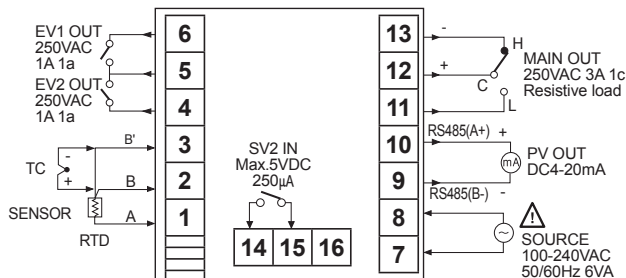
MAIN OUT	
SSR	Current
12VDC ±3V 30mA Max.	DC4-20mA Load 600Ω Max.

### ● TZN4S



MAIN OUT	
SSR	Current
12VDC ±3V 30mA Max.	DC4-20mA Load 600Ω Max.

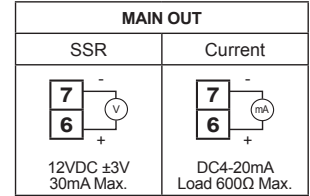
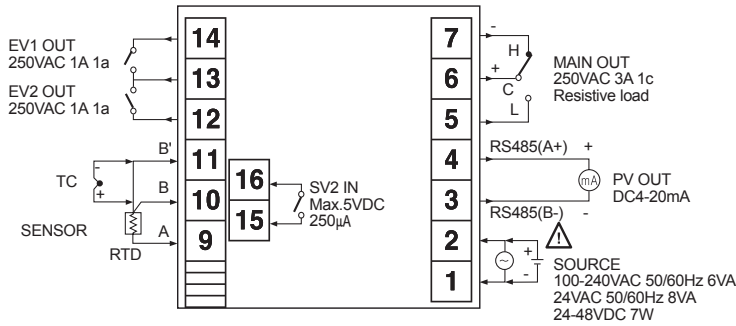
### ● TZ4M



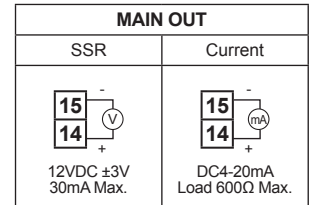
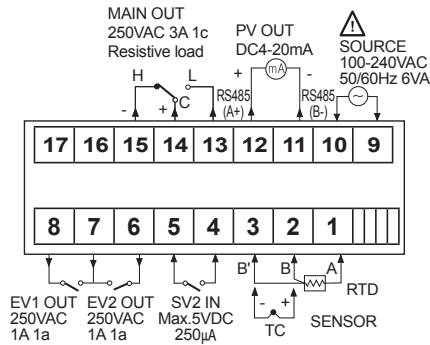
MAIN OUT	
SSR	Current
12VDC ±3V 30mA Max.	DC4-20mA Load 600Ω Max.

# Dual PID Auto Tuning Control

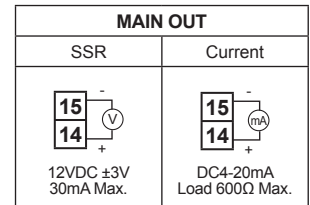
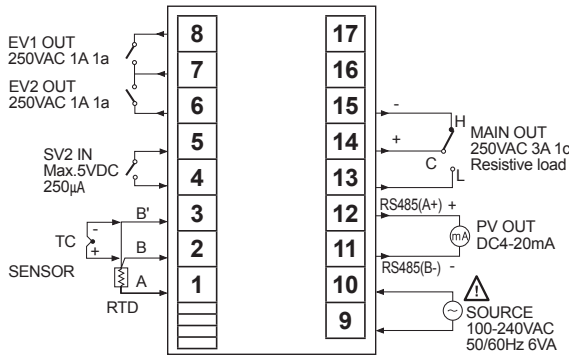
## ● TZ4M



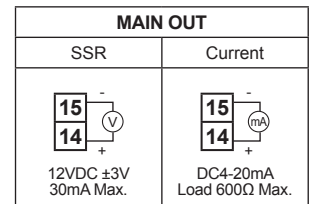
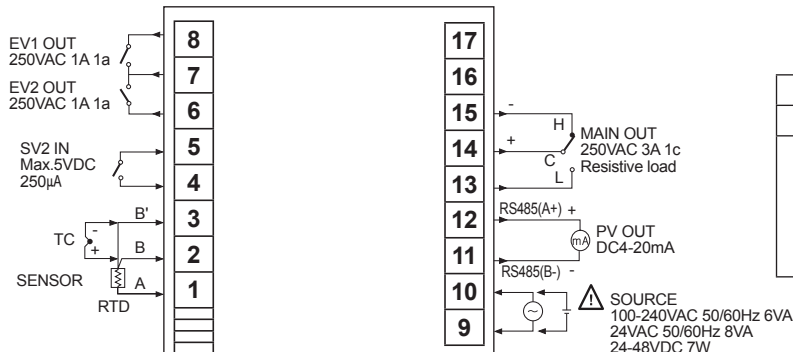
## ● TZ4W/TZ4W



## ● TZ4H/TZ4H



## ● TZ4L/TZ4L



(A) Photoelectric Sensors

(B) Fiber Optic Sensors

(C) Door/Area Sensors

(D) Proximity Sensors

(E) Pressure Sensors

(F) Rotary Encoders

(G) Connectors/ Sockets

(H) Temperature Controllers

(I) SSRs / Power Controllers

(J) Counters

(K) Timers

(L) Panel Meters

(M) Tacho / Speed / Pulse Meters

(N) Display Units

(O) Sensor Controllers

(P) Switching Mode Power Supplies

(Q) Stepper Motors & Drivers & Controllers

(R) Graphic/ Logic Panels

(S) Field Network Devices

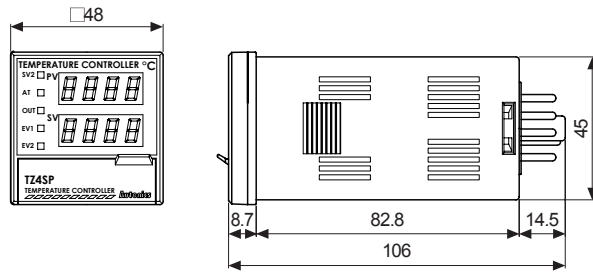
(T) Software

# TZN/TZ Series

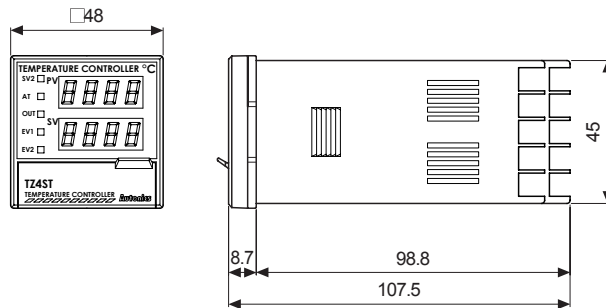
## ■ Dimensions

(unit: mm)

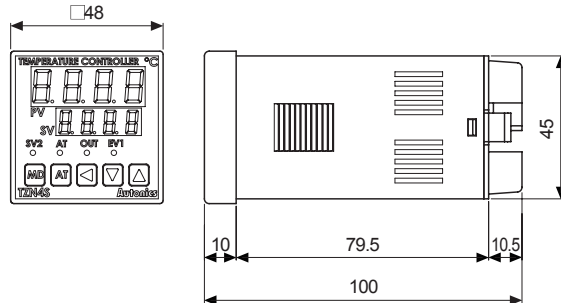
### ● TZ4SP



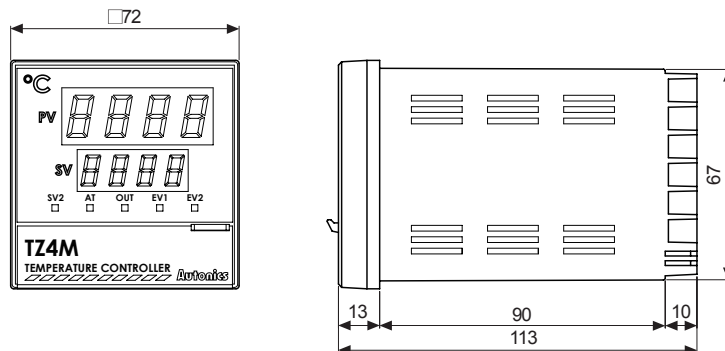
### ● TZ4ST



### ● TZN4S



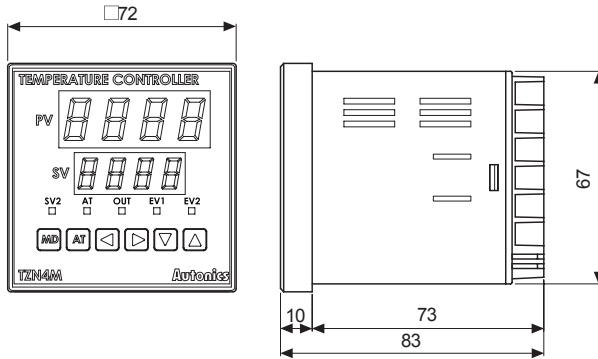
### ● TZ4M



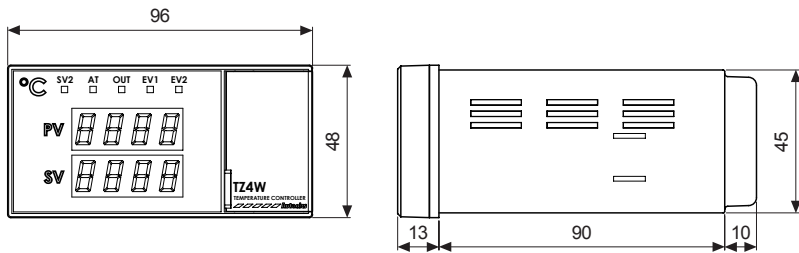
# Dual PID Auto Tuning Control

## ● TZN4M

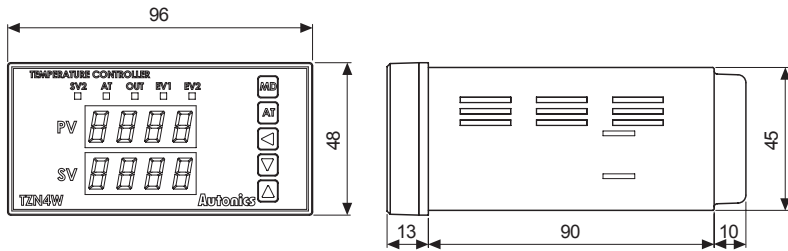
(unit: mm)



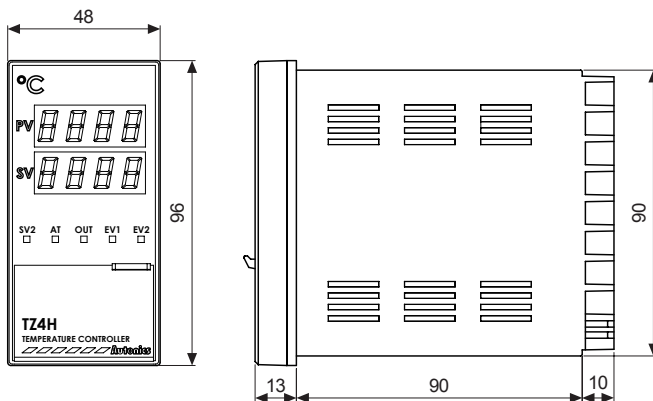
## ● TZ4W



## ● TZN4W



## ● TZ4H



(A) Photoelectric Sensors

(B) Fiber Optic Sensors

(C) Door/Area Sensors

(D) Proximity Sensors

(E) Pressure Sensors

(F) Rotary Encoders

(G) Connectors/ Sockets

(H) Temperature Controllers

(I) SSRs / Power Controllers

(J) Counters

(K) Timers

(L) Panel Meters

(M) Tacho / Speed / Pulse Meters

(N) Display Units

(O) Sensor Controllers

(P) Switching Mode Power Supplies

(Q) Stepper Motors & Drivers & Controllers

(R) Graphic/ Logic Panels

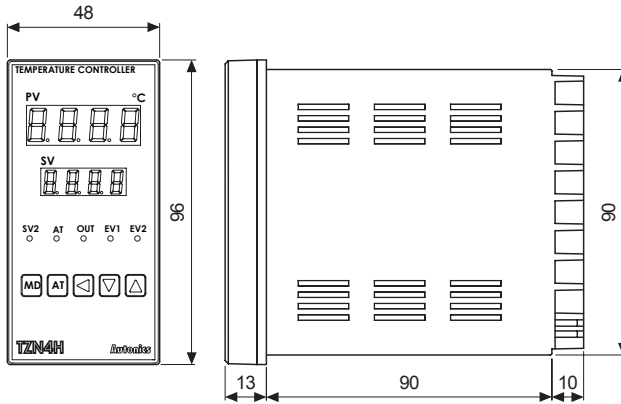
(S) Field Network Devices

(T) Software

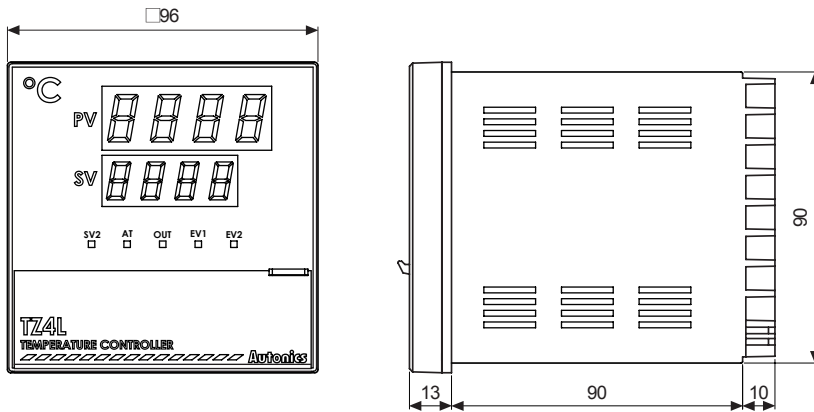
# TZN/TZ Series

## ● TZN4H

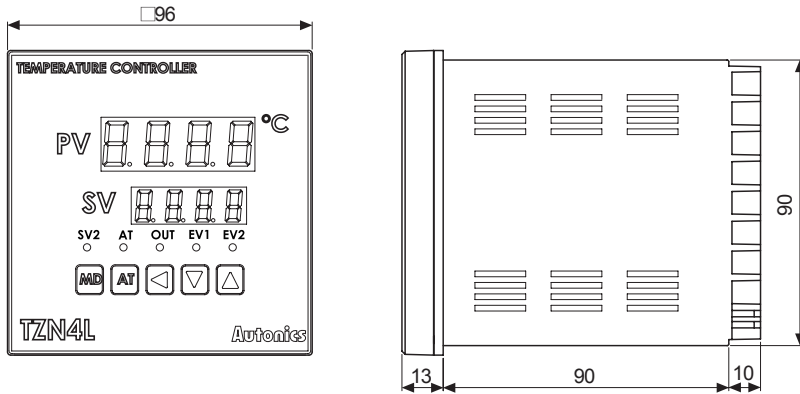
(unit: mm)



## ● TZ4L

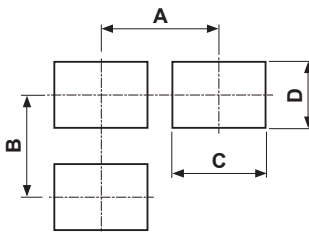


## ● TZN4L



## ● Panel cut-out dimensions

(unit: mm)

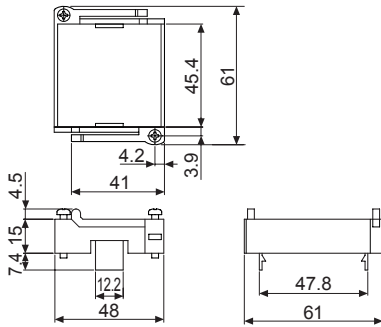


Series \ Size	A	B	C	D
TZ4SP, TZ4ST TZN4S	Min. 55	Min. 62	45.5 <sup>+0.5</sup> <sub>0</sub>	45.5 <sup>+0.5</sup> <sub>0</sub>
TZ4M	Min. 74	Min. 91	68.5 <sup>+0.5</sup> <sub>0</sub>	68.5 <sup>+0.5</sup> <sub>0</sub>
TZN4M	Min. 91	Min. 91	68 <sup>+0.7</sup> <sub>0</sub>	68 <sup>+0.7</sup> <sub>0</sub>
TZ4W, TZN4W	Min. 112	Min. 50	92 <sup>+0.8</sup> <sub>0</sub>	45.5 <sup>+0.8</sup> <sub>0</sub>
TZ4H, TZN4H	Min. 50	Min. 102	45 <sup>+0.6</sup> <sub>0</sub>	92 <sup>+0.8</sup> <sub>0</sub>
TZ4L, TZN4L	Min. 98	Min. 106	91 <sup>+0.5</sup> <sub>0</sub>	91 <sup>+0.5</sup> <sub>0</sub>

# Dual PID Auto Tuning Control

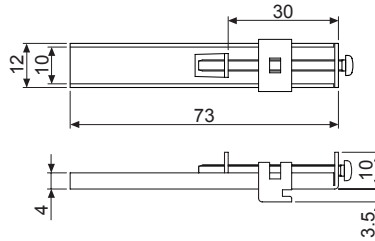
● **Bracket**

- TZ4ST, TZ4SP, TZN4S Series



(unit: mm)

- TZ4L, TZN4L, TZ4M, TZN4M, TZ4H, TZN4H, TZ4W, TZN4W Series



■ **Sold Separately**

◎ **Communication converter**

- **SCM-38I**  
(RS232C to RS485 converter)  
CE



- **SCM-US48I**  
(USB to RS485 converter)  
CE



■ **Input Type And Range**

Input type		Decimal point	Display	Temperature range (°C)	Temperature range (°F)
Thermo-couple	K (CA)	1	℄℄℄℄	-100 to 1300	-148 to 2372
	K (CA)	0.1	℄℄℄℄	-100.0 to 999.9	Not supported
	J (IC)	1	℄℄℄℄	0 to 800	32 to 1472
	J (IC)	0.1	℄℄℄℄	0.0 to 800.0	Not supported
	R (PR)	1	℄℄℄℄	0 to 1700	32 to 3092
	E (CR)	1	℄℄℄℄	0 to 800	32 to 1472
	E (CR)	0.1	℄℄℄℄	0.0 to 800.0	Not supported
	T (CC)	1	℄℄℄℄	-200 to 400	-328 to 752
	T (CC)	0.1	℄℄℄℄	-199.9 to 400.0	Not supported
	S (PR)	1	℄℄℄℄	0 to 1700	32 to 3092
	N (NN)	1	℄℄℄℄	0 to 1300	32 to 2372
W (TT)	1	℄℄℄℄	0 to 2300	32 to 4172	
RTD	JPt100Ω	1	℄℄℄℄	0 to 500	32 to 932
	JPt100Ω	0.1	℄℄℄℄	-199.9 to 199.9	-199.9 to 391.8
	DPt100Ω	1	℄℄℄℄	0 to 500	32 to 932
	DPt100Ω	0.1	℄℄℄℄	-199.9 to 199.9	-199.9 to 391.8
Analog	Voltage	0-10VDC	℄℄℄℄	-1999 to 9999 (display range will vary depending on the decimal point.)	
		1-5VDC	℄℄℄℄		
	Current	DC4-20mA	℄℄℄℄		

- (A) Photoelectric Sensors
- (B) Fiber Optic Sensors
- (C) Door/Area Sensors
- (D) Proximity Sensors
- (E) Pressure Sensors
- (F) Rotary Encoders
- (G) Connectors/ Sockets
- (H) Temperature Controllers
- (I) SSRs / Power Controllers
- (J) Counters
- (K) Timers
- (L) Panel Meters
- (M) Tacho / Speed / Pulse Meters
- (N) Display Units
- (O) Sensor Controllers
- (P) Switching Mode Power Supplies
- (Q) Stepper Motors & Drivers & Controllers
- (R) Graphic/ Logic Panels
- (S) Field Network Devices
- (T) Software



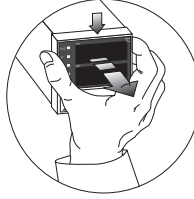
# TZN/TZ Series

## ■ Configuring Input Type

Please configure the internal switches before supplying power. After supplying power, configure the input type [ 1 ~ 4 ] in parameter group 2 according to the input type.

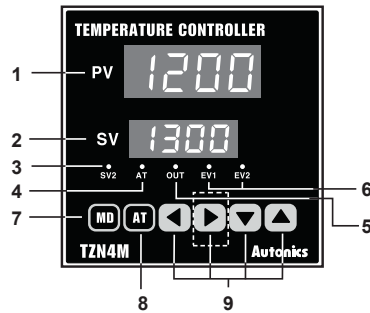
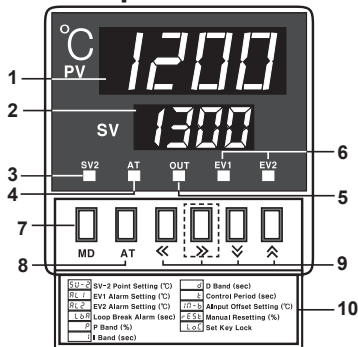
Input type		S/W 1	S/W 2
Thermocouple			
RTD		1 1	mA V
Analog	Voltage (0-10VDC, 1-5VDC)		
	Current (DC4-20mA)		mA V

### ● Detaching the case



Press the front case then pull the case to detach the case from the body. Configure the internal switches as input type.

## ■ Unit Description



### 1. Present value (PV) display (red):

RUN mode: displays the current value (PV)  
Setting mode: displays parameters

### 2. Set value (SV) display (green):

RUN mode: displays the set value (SV)  
Setting mode: displays parameter setting values

### 3. SV2 operation indicator: turns ON when SV2 is operating

### 4. Auto-tuning indicator: turns ON when auto-tuning

### 5. Control output operation indicator: turns ON when control output is ON. Does not operate when the input type is current output.

### 6. Event output indicator: turns ON when the according event output is ON.

※The Event 2 output indicator does not operation in TZ4SP.

### 7. Mode key: enter parameter group, return to RUN mode, switch parameters, save setting values

### 8. Auto-tuning key: hold the key for 3 seconds to start auto-tuning. Hold the key for 5 seconds while auto-tuning to stop auto-tuning.

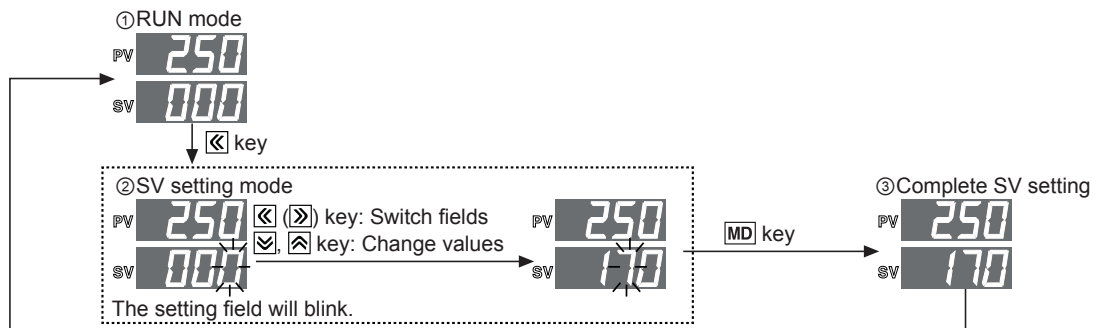
### 9. Setting keys: enter SV change mode, switch fields, change value

(↔) key in the dotted line is only available in TZ4M and TZ4L models

### 10. Key adjustment order chart

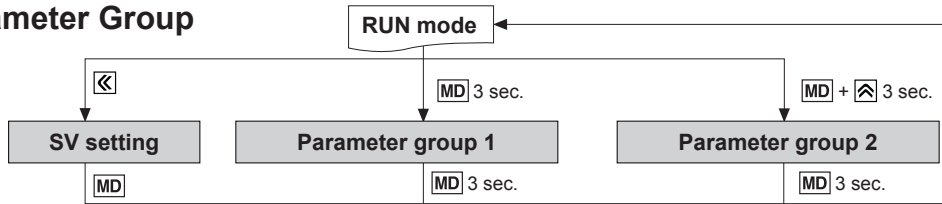
## ■ SV Setting

※When changing the previous SV of 0°C to 170°C,



# Dual PID Auto Tuning Control

## Parameter Group



※Parameter setting order **Parameter group 2** → **Parameter group 1** → **SV setting**

The parameters are related to each other. Please set the parameters in the order above.

※When there is no key input for 60 seconds while in SV setting mode or parameter groups, the unit will return to RUN mode automatically.

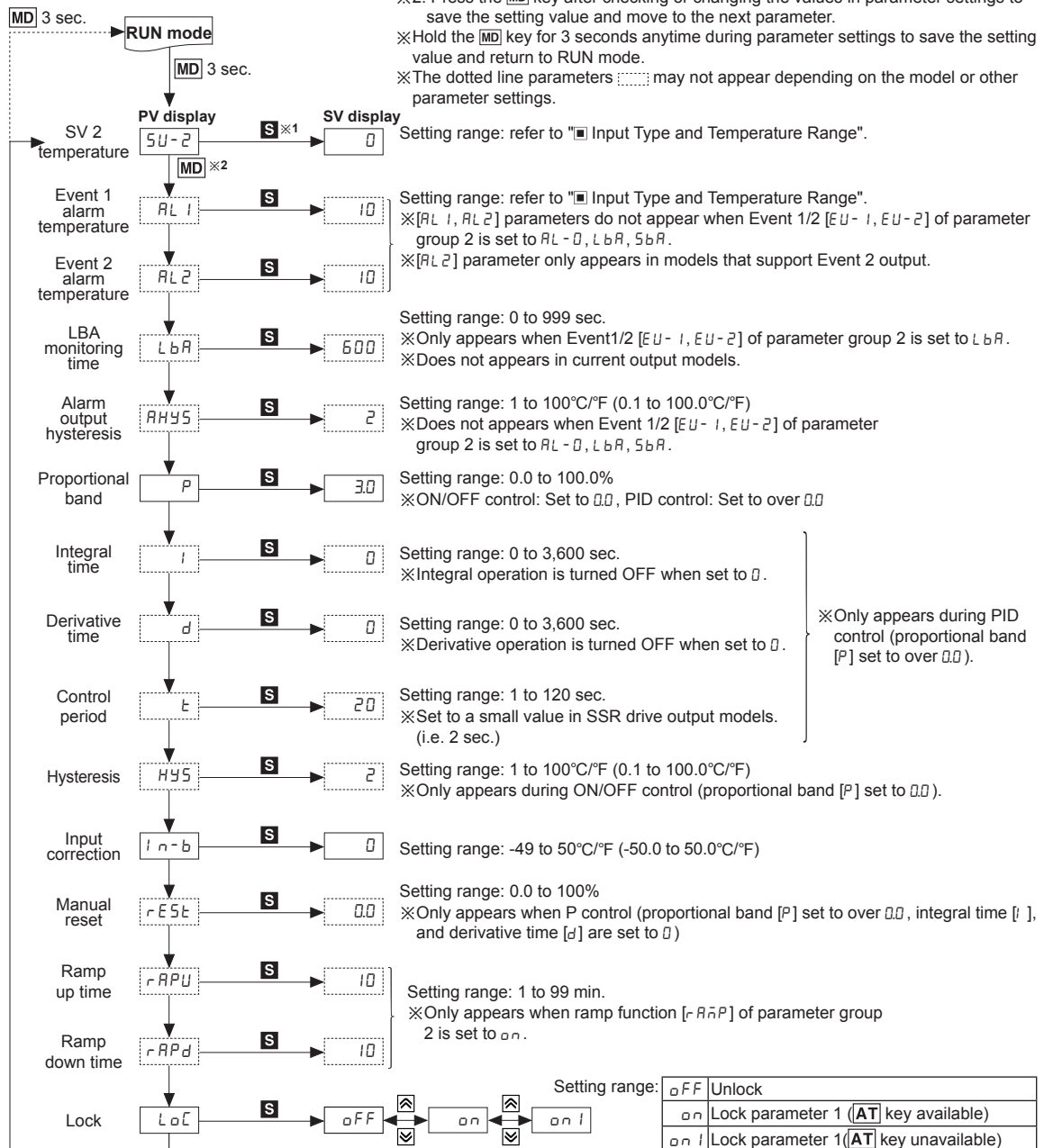
### Parameter group 1

※1: **S**: **⏏** (**⏏**) key-Switch fields, **⏏**, **⏏** key-Change values

※2: Press the **MD** key after checking or changing the values in parameter settings to save the setting value and move to the next parameter.

※Hold the **MD** key for 3 seconds anytime during parameter settings to save the setting value and return to RUN mode.

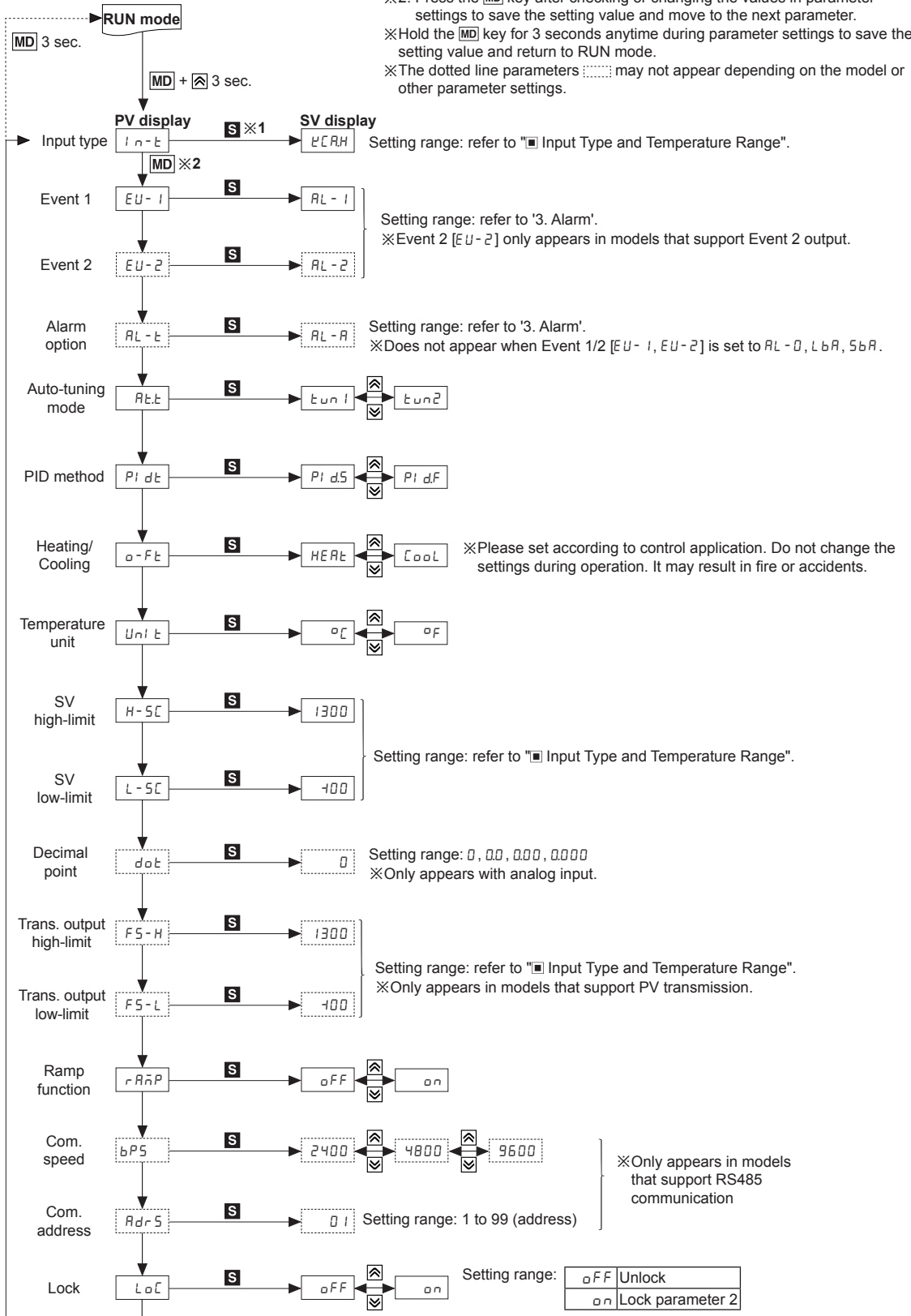
※The dotted line parameters **[ ]** may not appear depending on the model or other parameter settings.



- (A) Photoelectric Sensors
- (B) Fiber Optic Sensors
- (C) Door/Area Sensors
- (D) Proximity Sensors
- (E) Pressure Sensors
- (F) Rotary Encoders
- (G) Connectors/ Sockets
- (H) Temperature Controllers
- (I) SSRs / Power Controllers
- (J) Counters
- (K) Timers
- (L) Panel Meters
- (M) Tacho / Speed / Pulse Meters
- (N) Display Units
- (O) Sensor Controllers
- (P) Switching Mode Power Supplies
- (Q) Stepper Motors & Drivers & Controllers
- (R) Graphic/ Logic Panels
- (S) Field Network Devices
- (T) Software

# TZN/TZ Series

## Parameter group 2



# Dual PID Auto Tuning Control

## Factory Defaults

### Parameter group 1

Parameter	Default	Parameter	Default	Parameter	Default
SV-2	0	P	3.0	Int-b	0
AL1	10	I	0	rESL	0.0
AL2	10	d	0	rAPU	10
LbA	600	t	20	rAPd	10
HY5	2	HY5	2	LoC	oFF

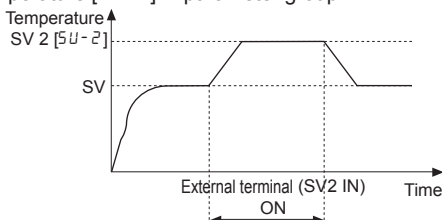
### Parameter group 1

Parameter	Default	Parameter	Default	Parameter	Default
Int-t	UCLH	o-Fl	HEAL	FS-L	100
EU-1	AL-1	UnIt	oC	rANP	oFF
EU-2	AL-2	H-5C	1300	bPS	2400
AL-t	AL-A	L-5C	100	Ad-5	0.1
AL-t	tun1	dot	0	LoC	oFF
PI dt	PI d5	FS-H	1300		

## Functions

### SV 2 temperature

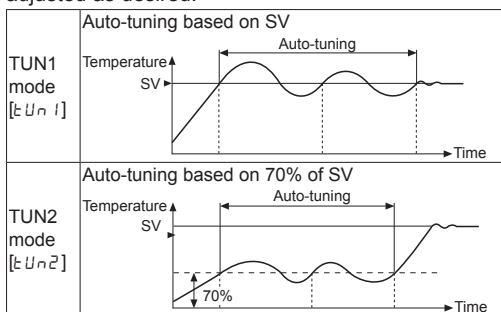
You can control an additional temperature value at a desired range by using SV2. Connect a contact signal (under 5VDC, 250μA) at the external terminal, to operate in the range where the signal turns ON. Set the SV2 temperature in SV2 temperature [SV-2] in parameter group 1.



E.g.) The internal temperature of an electric oven may drop rapidly if the door is opened while the oven is maintaining a specific temperature. Set SV2 temperature [SV-2] to a higher value than SV, and input a signal to the external terminal (SV2 IN), to quickly raise the temperature.

### Auto-tuning

Auto-tuning allows the temperature controller to detect the thermal characteristics and response rates of the control target. It then calculates the PID time constant and sets the value to allow fast response rates and high accuracy. Hold the [AT] key for 3 seconds during RUN mode to start auto-tuning. The auto-tuning indicator will blink. When auto-tuning is completed, the auto-tuning indicator will turn off and the PID time constant will be saved to each parameter of parameter group 1. The saved parameters can be adjusted as desired.



To manually stop auto-tuning, hold the [AT] key for 5 seconds. When auto-tuning is stopped, the controller maintains the PID value before auto-tuning. TZ Series supports 2 auto-tuning modes.

Select TUN1 mode or TUN2 mode [TUN1, TUN2] from auto-tuning mode [AL-t] of parameter group 2.

✗ Run auto-tuning during initial setup of the temperature controller.

✗ If the thermal characteristics of the control target device has changed after extended usage, re-run auto-tuning.

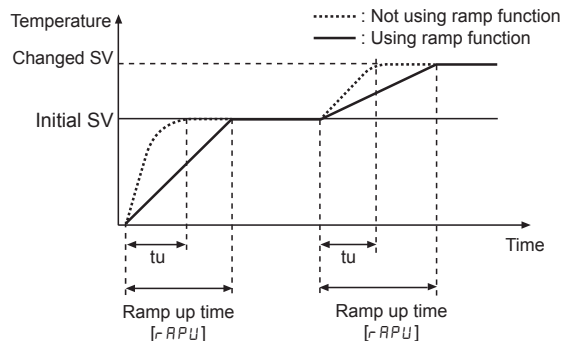
### Ramp

The ramp function can delay the rate of temperature rise/fall. If the SV value is changed during stabilized control, the temperature of the controlled target will rise/fall during ramp up/down time [rAPU, rAPd] of parameter group 1. The ramp function activates when the power is reset or when the SV value is changed during stable control.

✗ The ramp up/down time [rAPU, rAPd] appear only when the ramp function [rANP] of parameter group 2 is set to ON.

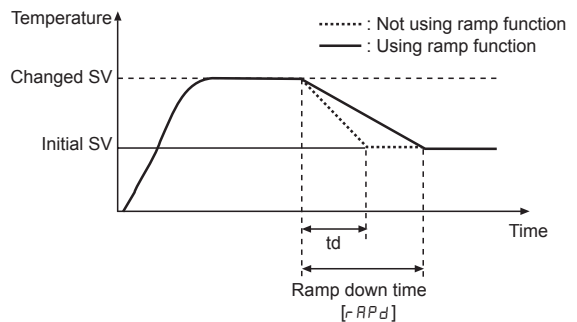
#### RAMP up time [rAPU]

When delaying the rise of initial control temperature or changing the SV during stable control, you can delay temperature rise. Set the ramp up time [rAPU] longer than the temperature rise time (tu) when not using the ramp function.



#### Ramp down time [rAPd]

Delays declining temperature. Set the ramp down time [rAPd] longer than the temperature decline time (td) when not using the ramp function.



- (A) Photoelectric Sensors
- (B) Fiber Optic Sensors
- (C) Door/Area Sensors
- (D) Proximity Sensors
- (E) Pressure Sensors
- (F) Rotary Encoders
- (G) Connectors/ Sockets
- (H) Temperature Controllers
- (I) SSRs / Power Controllers
- (J) Counters
- (K) Timers
- (L) Panel Meters
- (M) Tacho / Speed / Pulse Meters
- (N) Display Units
- (O) Sensor Controllers
- (P) Switching Mode Power Supplies
- (Q) Stepper Motors & Drivers & Controllers
- (R) Graphic/ Logic Panels
- (S) Field Network Devices
- (T) Software

# TZN/TZ Series

## ☉ Alarm(Event)

Alarm output can be configured by combining alarm operation and alarm options. Set the alarm operation in event 1/2 [E U 1, E U 2] of parameter group 2, and set the alarm options in alarm option [R L - 1].

### 1) Alarm operation

Mode	Name	Alarm operation	Description
R L - 0	—	—	Alarm output not used.
R L - 1	Deviation high-limit alarm		If the deviation of PV and SV are higher than the high-limit deviation, the alarm output turns ON.
R L - 2	Deviation low-limit alarm		If the deviation of PV and SV are higher than the low-limit deviation, the alarm output turns ON.
R L - 3	Deviation high-limit /low-limit alarm		If the deviation of PV and SV are higher than the high-limit deviation or low-limit deviation, the alarm output turns ON.
R L - 4	Deviation high-limit /low-limit reverse alarm		If the deviation of PV and SV are higher than the high-limit deviation or low-limit deviation, the alarm output turns OFF.
R L - 5	Absolute value high-limit alarm		Alarm output turns ON when PV is higher than the absolute value.
R L - 6	Absolute value low-limit alarm		Alarm output turns ON when PV is lower than the absolute value.
S b R	Sensor break	—	Alarm output turns ON when sensor disconnection is detected.
L b R	Loop break	—	Alarm output turns ON when loop break is detected.

※ H: Alarm output hysteresis [R H 5]

### 2) Alarm options

Mode	Name	Description
R L - a	Standard alarm	Alarm output turns ON upon alarm condition, and alarm output turns OFF when condition is cleared.
R L - b	Alarm latch	Alarm output turns ON and maintains ON upon alarm condition.
R L - c	Standby sequence	The first alarm condition is ignored. It will operate as standard alarm from the second alarm condition. If it is under alarm condition when power is supplied, it will ignore the condition and operate as standard alarm from the next alarm condition.
R L - d	Alarm latch and standby sequence	It will operate as both alarm latch and standby sequence upon alarm condition. If it is under alarm condition when power is supplied, it will ignore the condition and operate as alarm latch from the next alarm condition.

### 3) Sensor break alarm

Alarm output turns ON when sensor is not connected or loses its connection during temperature control. Sensor disconnection can be tested by connecting buzzers or other devices to the alarm output contact. Sensor break alarm output operates through EV1 OUT or EV2 OUT contacts. Alarm output is disengaged after resetting the power.

### 4) Loop break Alarm (LBA)

Diagnose control loop and transmit alarm output through temperature change of control target. During heating(cooling) control, the alarm output turns ON if the PV does not rise/drop by a specific amount (approx. 2°C) during LBA monitoring period [L b R] while control output amount is at 100%(0%).

※ If the thermal response of the control target is slow, the LBA monitoring period [L b R] of parameter group 1 should be set longer.

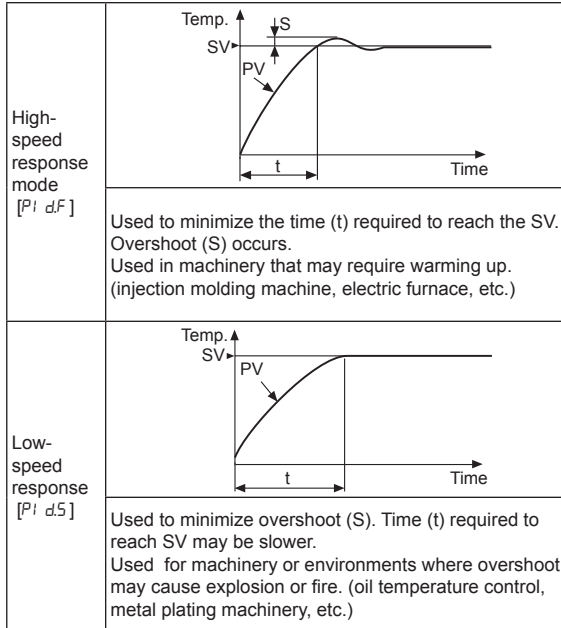
※ LBA only operates when the control output amount is 100%(0%) so it cannot be used in current output models.

※ If the alarm output turns ON after the sensor has been disconnected, the alarm output will not turn OFF even after reconnecting the sensor. To disengage the alarm output, the temperature controller power must be reset.

# Dual PID Auto Tuning Control

## ◎ Dual PID control

The response rate of the PID control can be selected depending on the characteristics of the control target. Select high-speed response mode or low-speed response mode [ $P^i dF$ ,  $P^i dS$ ] from PID method [ $P^i dE$ ] of parameter group 2.



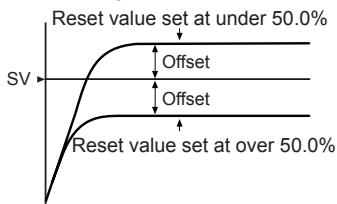
## ◎ Input correction [ $i n - b$ ]

Used to correct deviation from external devices such as temperature controllers. E.g.) If the actual temperature is 80°C but the display value is 78°C, set the input correction [ $i n - b$ ] value to 2 and it will display 80°C as the display value.

## ◎ Manual reset [ $r E S E$ ]

When using proportional control (P control), the time of temperature rising time and falling time may differ depending on factors such as the heat capacity of the control device or the heater. A certain amount of deviation occurs even under stable conditions. This deviation is referred to as offset, and can be configured/corrected using manual reset [ $r E S E$ ]. When PV and SV are equal, the reset value is 50.0%. If the PV is lower than the SV during stable control, set the value to over 50.0%, and if the PV is higher than the SV, set the value to under 50.0%

- Configuring manual reset [ $r E S E$ ] according to control results.



## ■ RS485 communication

Applicable for models that support RS485 communication. Please refer to 'Ordering Information'. It is used to transmit PV or SV, and/or set the SV.

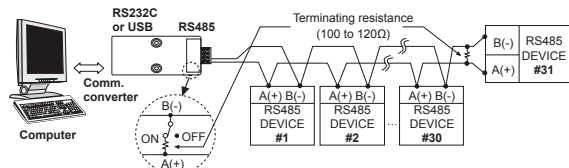
### ◎ Interface

Protocol	BCC
Applied standard	EIA RS485
Max. connections	31 units (address: 1 to 99)
Communication method	2-wire half duplex
Synchronization method	Asynchronous
Communication distance	Within 1.2km
Communication speed	2400, 4800, 9600bps
Start bit	1-bit fixed
Data bit	8-bit fixed
Parity bit	None
Stop bit	1-bit fixed

※ It is not allowed to set overlapping communication address at the same communication line. Use twisted pair wire for RS485 communication.

### ◎ Application of system organization

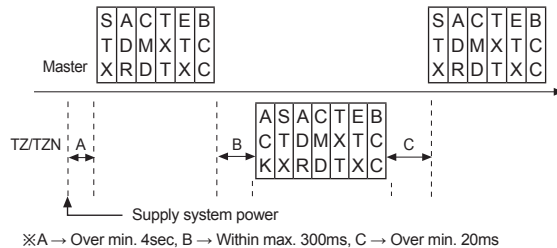
※ Only for RS485 communication output model.



※ It is recommended to use Autonics communication converter; SCM-US48I (USB to RS485 converter, sold separately), SCM-38I (RS232C to RS485 converter, sold separately). Please use twisted pair wire for RS485 communication.

### ◎ Communication control ordering

- The communication control ordering of TZ/TZN Series is exclusive protocol.
- After 4sec. being supplied the power into master system, then able to start communicating.
- Initial communication will be started by master system. When Command signal comes out from master system then TZ/TZN Series will respond.

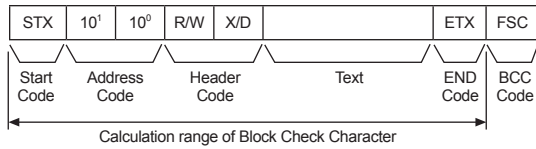


(A)	Photoelectric Sensors
(B)	Fiber Optic Sensors
(C)	Door/Area Sensors
(D)	Proximity Sensors
(E)	Pressure Sensors
(F)	Rotary Encoders
(G)	Connectors/ Sockets
(H)	Temperature Controllers
(I)	SSRs / Power Controllers
(J)	Counters
(K)	Timers
(L)	Panel Meters
(M)	Tacho / Speed / Pulse Meters
(N)	Display Units
(O)	Sensor Controllers
(P)	Switching Mode Power Supplies
(Q)	Stepper Motors & Drivers & Controllers
(R)	Graphic/ Logic Panels
(S)	Field Network Devices
(T)	Software

# TZN/TZ Series

## ◎ Communication Command and Block

Format of Command and Response



- ① Start code  
It indicates the first of Block STX → [02H],  
in case of response, ACK will be added.
- ② Address code  
This code is master system can discern TZ/TZN Series  
and able to set within range of 01 to 99. (BCD ASCII)
- ③ Header code:  
It indicates command as 2 alphabets as below.  
RX (Read request) → R [52H], X [58H]  
RD (Read response) → R [52H], D [44H]  
WX (Write request) → W [57H], R [58H]  
WD (Write response) → W [57H], D [44H]
- ④ Text: It indicates the detail contents of Command/  
Response. (see command)
- ⑤ END code: It indicates the end of Block. ETX → [03H]
- ⑥ BCC: It indicates XOR operating value from the first to  
ETX of the protocol as abbreviation of TZ/TZN.

## ◎ Communication Command

### ● Read [RX] of measurement/setting value: Address 01, Command RX

1.Command (Master)

① Command

STX	0	1	R	X	P	0	ETX	FSC
Start	Address		Command head		P:Process value S:Setting value		End	BCC

② Application: Address (01), Header code (RX),  
Process value (P)

STX	0	1	R	X	P	0	ETX	FSC
02	30	31	52	58	50	30	03	BCC

### ● Write [WX] of setting value: Address 01, Command WX

1.Command (Master)

① Command

STX	0	1	W	X	S	0	Symbol	10 <sup>3</sup>	10 <sup>2</sup>	10 <sup>1</sup>	10 <sup>0</sup>	ETX	FSC
Start	Address		Command head		S:Setting value	Space/-	10 <sup>3</sup>	10 <sup>2</sup>	10 <sup>1</sup>	10 <sup>0</sup>	End	BCC	

② Application: In case of writing Address (01), Heading  
Coad (WX), Setting value (S) +123.

STX	0	1	W	X	S	0	Symbol	10 <sup>3</sup>	10 <sup>2</sup>	10 <sup>1</sup>	10 <sup>0</sup>	ETX	FSC
02	30	31	57	58	53	30	20	30	31	32	33	03	BCC

## ◎ Response

### ● Read of process/Setting value

1. In case of receiving normal process value:  
The data is transmitted adding ACK [60H].  
(In case process value is +123.4)

A C K	S T X	0	1	R	D	P	0	Symbol	10 <sup>3</sup>	10 <sup>2</sup>	10 <sup>1</sup>	10 <sup>0</sup>	Decimal point	E T X	F S C	N U L L
-------------	-------------	---	---	---	---	---	---	--------	-----------------	-----------------	-----------------	-----------------	---------------	-------------	-------------	------------------

A C K	S T X	0	1	R	D	P	0	Space	1	2	3	4	1	E T X	B C C	N U L L
-------------	-------------	---	---	---	---	---	---	-------	---	---	---	---	---	-------------	-------------	------------------

06	02	30	31	52	44	50	30	20	31	32	33	34	31	03	B C C	00
----	----	----	----	----	----	----	----	----	----	----	----	----	----	----	-------------	----

2. In case process value is -100

A C K	S T X	0	1	R	D	P	0	-	0	1	0	0	0	E T X	B C C	N U L L
-------------	-------------	---	---	---	---	---	---	---	---	---	---	---	---	-------------	-------------	------------------

06	02	30	31	52	44	50	30	2D	30	31	30	30	30	03	B C C	00
----	----	----	----	----	----	----	----	----	----	----	----	----	----	----	-------------	----

※It is responded with 1 byte sized NULL (00H) at the end  
of response frame (next BCC 16).

### ● Write of setting value

In case setting value is -100

A C K	S T X	0	1	W	D	S	0	Symbol	10 <sup>3</sup>	10 <sup>2</sup>	10 <sup>1</sup>	10 <sup>0</sup>	E T X	F S C
-------------	-------------	---	---	---	---	---	---	--------	-----------------	-----------------	-----------------	-----------------	-------------	-------------

A C K	S T X	0	1	W	D	S	0	-	0	1	0	0	E T X	B C C
-------------	-------------	---	---	---	---	---	---	---	---	---	---	---	-------------	-------------

06	02	30	31	57	44	53	30	2D	30	31	30	30	03	B C C
----	----	----	----	----	----	----	----	----	----	----	----	----	----	-------------

● Others: In case of no response of ACK

- ① When the address is not the same after receiving STX.
- ② When receiving buffer overflow is occurred.
- ③ When the baud rate or others communication setting  
value are not the same.
- When there are no ACK response
  - ① Check the status of lines
  - ② Check the communication condition (Setting value)
  - ③ When assuming the problem is due to noise, try to  
operate communication 3 times more until recovery.
  - ④ When occurred communication failure frequently,  
please adjust the communicating speed.

# Dual PID Auto Tuning Control

## ■ Error Display

Display	Description	Troubleshooting
oPE n	Blinks when input is disconnected.	Check input status.
HHHH	Blinks when the measured input value is higher than the temperature range.	Adjust the value to within the temperature range.
LLLL	Blinks when the measured input value is lower than the temperature range.	

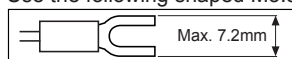
## ■ Proper Usage

### ◎ Troubleshooting

Symptoms	Troubleshooting
oPE n is displayed on the PV display during operation	Disconnect the power and check the input connection. If the input is connected, disconnect the input wiring from the temperature controller and short the + and - terminals. Power the temperature controller and check if it displays the room temperature. If it does not display the room temperature and continues to display oPE n, the controller is broken. Please contact our technical support. (Input type is thermocouple)
Load (heater, etc.) does not operate during operation	Check the state of the control output indicator on the front panel. If the indicator is not working, disconnect the wiring from the output terminal of the temperature controller and check the output (replay contact, SSR drive, current)
Err (error) is displayed on the PV display during operation	Indicates damage to internal chip by strong noise (2kVAC). Please contact our technical support. Locate the source of the noise and devise countermeasures.

### ◎ Caution during use

- Please separate the unit wiring from high voltage lines or power lines to prevent inductive noise.
- Use the following shaped M3.5 crimp terminals.



- Install a power switch or circuit breaker to control the power supply.
- The power switch or circuit breaker should be installed where it is easily accessible by the user.
- The unit is designed for use as a temperature controller. Do not use the unit as a volt-meter or an ampere-meter.
- When using thermocouple temperature sensors, prescribed extension wiring must be used. Using general wiring may cause temperature deviation where the thermocouple meets the wire.
- When using RTD temperature sensors, 3-wire type wiring must be used. When extending the wires, use 3 wires that have the same length and thickness. Different line resistance may cause temperature deviation.
- If the power line and the input signal line must be close to each other, make sure to install a line filter on the power line for noise protection and use a shielded input signal line.
- Keep away from the high frequency instruments. (High frequency welding machine & sewing machine, large capacity SCR controller).
- If the unit displays HHHH or LLLL after supplying measured input, there may be a problem with the measured input. Disconnect the power and check the wiring.
- When changing user input settings, please disconnect the power. Adjust the internal switch (S/W1, S/W2) as required, connect the power and select the input type [i n - t] of parameter group 2.
- The SSR drive output, current output are separated and insulated from internal circuits of the unit.
- Do not connect the power supply to the event output terminal or sensor terminals.
- This unit may be used in the following environments.
  - ①Indoors
  - ②Pollution degree 2
  - ③Altitude under 2,000m
  - ④Installation category II

(A) Photoelectric Sensors

(B) Fiber Optic Sensors

(C) Door/Area Sensors

(D) Proximity Sensors

(E) Pressure Sensors

(F) Rotary Encoders

(G) Connectors/ Sockets

(H) Temperature Controllers

(I) SSRs / Power Controllers

(J) Counters

(K) Timers

(L) Panel Meters

(M) Tacho / Speed / Pulse Meters

(N) Display Units

(O) Sensor Controllers

(P) Switching Mode Power Supplies

(Q) Stepper Motors & Drivers & Controllers

(R) Graphic/ Logic Panels

(S) Field Network Devices

(T) Software