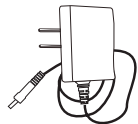
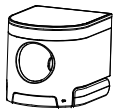


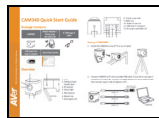
CAM340 Quick Start Guide

Package Contents

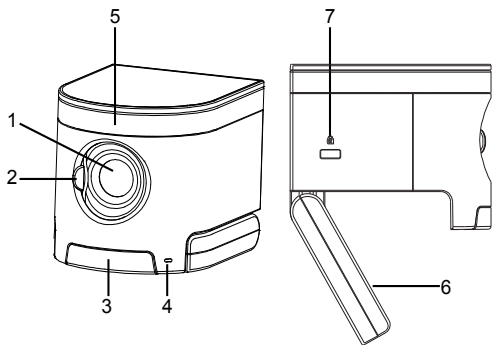
CAM340	Power Adapter (for USB 2.0)	6' USB type-A cable
--------	--------------------------------	------------------------



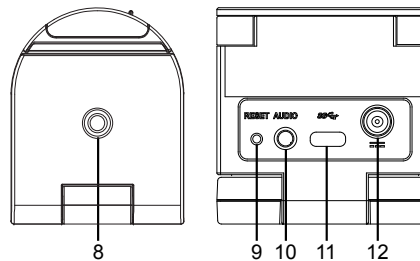
USB type-A to type-C adapter	Quick Start Guide
---------------------------------	-------------------



Overview



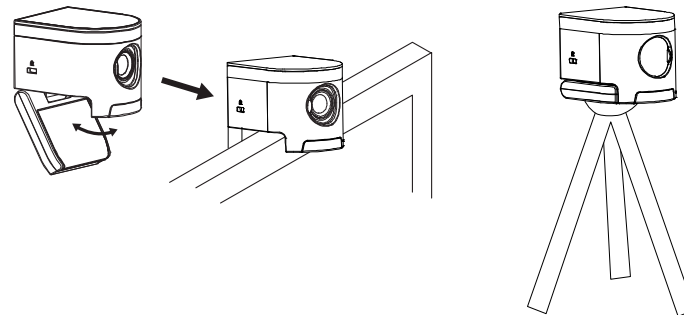
1. Lens
2. Sliding privacy shutter door
3. IR receiver
4. Status light
5. Microphone
6. Mount clip
7. Kensington slot



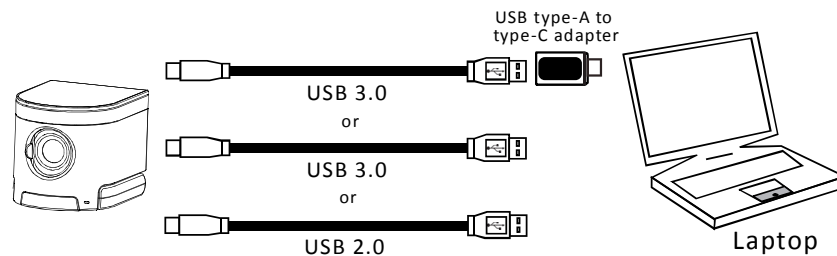
8. Tripod screw hole
9. RESET pin
10. Audio to line out
11. USB type-C connector
12. DC power jack(USB 2.0)

Setup CAM340

1. Install the CAM340 on top of TV or on a tripod.

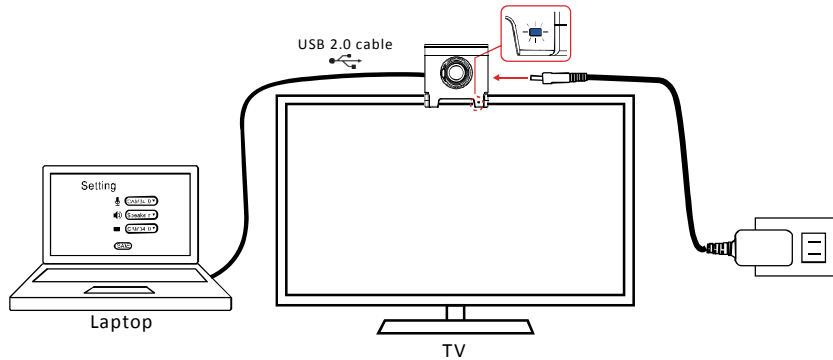


2. Connect CAM340 to PC with provided USB cable. If you like to use type-C connector on newer PC, connect provided adapter to type-A end of cable, then connect type-C side of adapter to PC.

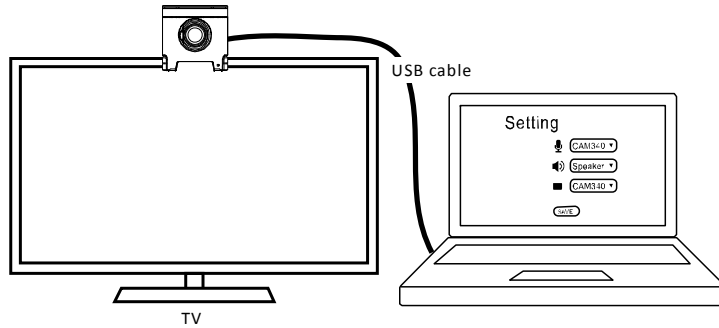


- If you connect CAM340 to USB2.0 port on PC, status light will blink blue and PC displays the warning message. Please connect provided power adaptor to CAM340 and wall.

[Note] USB 2.0 warning only stays on for 2 minutes then disappears.



- Select CAM340 as the camera or video device in your app. If you want to use CAM340 microphone, select CAM340 as your microphone or audio device too.



- For advanced setting and firmware update, please download AVer PTZApp from <http://www.averusa.com/video-collaboration/support/downloads.asp>

Quick Reference

■ Status LED

LED	Status
Blinking blue	<ul style="list-style-type: none"> - Power on start-up usually takes less than 30 seconds - Connecting to PC USB 2.0 port without connecting power adaptor
Solid blue	Camera is power on
Amber	Not in use
Blinking green	Firmware updating

Note:

CAM340 is a Plug-n-Play Conference Camera. The system requires no special drivers. Please visit [averusa.com/video-collaboration](http://www.averusa.com/video-collaboration) for more information.