

AVer AW200

User Manual



Federal Communications Commission Statement



NOTE: This equipment has been tested and found to comply with the limits for a Class A digital device, pursuant to part 15 of the FCC Rules. These limits are designed to provide reasonable protection against harmful interference when the equipment is operated in a commercial environment. This equipment generates, uses, and can radiate radiofrequency energy and, if not installed and used in accordance with the instruction manual, may cause harmful interference to radio communications. Operation of this equipment in a residential area is likely to cause harmful interference in which case the user will be required to correct the interference at his own expense.

FCC Caution: Any changes or modifications not expressly approved by the party responsible for compliance could void the user's authority to operate this equipment.

This device complies with part 15 of the FCC Rules.

Operation is subject to the following two conditions:

- (1) This device may not cause harmful interference, and
- (2) this device must accept any interference received, including interference that may cause undesired operation.

Warning:

This is a class A product. In a domestic environment this product may cause radio interference in which case the user may be required to take adequate measures.

DISCLAIMER

No warranty or representation, either expressed or implied, is made with respect to the contents of this documentation, its quality, performance, merchantability, or fitness for a particular purpose. Information presented in this documentation has been carefully checked for reliability; however, no responsibility is assumed for inaccuracies. The information contained in this documentation is subject to change without notice.

In no event will AVer Information Inc. be liable for direct, indirect, special, incidental, or consequential damages arising out of the use or inability to use this product or documentation, even if advised of the possibility of such damages.

TRADEMARKS

"AVer" is a trademark owned by AVer Information Inc. Other trademarks used herein for description purpose only belong to each of their companies.

COPYRIGHT

©2020 AVer Information Inc. All rights reserved.

All rights of this object belong to AVer Information Inc. Reproduced or transmitted in any form or by any means without the prior written permission of AVer Information Inc. is prohibited. All information or specifications are subject to change without prior notice.

NOTICE

SPECIFICATIONS ARE SUBJECT TO CHANGE WITHOUT PRIOR NOTICE. THE INFORMATION CONTAINED HEREIN IS TO BE CONSIDERED FOR REFERENCE ONLY.

WARNING

- To reduce risk of fire or electric shock, do not expose this appliance to rain or moisture. Warranty will be void if any unauthorized modifications are done to the product.
- Do not drop the camera or subject it to physical shock.
- Use correct power supply voltage to avoid damaging camera.
- Do not place the camera where the cord can be stepped on as this may result in fraying or damage to the lead or the plug.
- Hold the bottom of the camera with both hands to move the camera. Do not grab the lens or lens holder to move the camera.

RADIO FREQUENCY

FOR PORTABLE DEVICE USAGE (<20m from body/SAR needed eg. BT dongle, smartphone)

Radiation Exposure Statement:

The product comply with the FCC portable RF exposure limit set forth for an uncontrolled environment and are safe for intended operation as described in this manual. The further RF exposure reduction can be achieved if the product can be kept as far as possible from the user body or set the device to lower output power if such function is available.

FOR MOBILE DEVICE USAGE (>20cm/low power eg. AP routers)

Radiation Exposure Statement:

This equipment complies with FCC radiation exposure limits set forth for an uncontrolled environment. This equipment should be installed and operated with minimum distance 20cm between the radiator & your body.

RADIO FREQUENCY

Europe – EU Declaration of Conformity

This device complies with the essential requirements of the Radio Equipment Directive (2014/53/EU). The following test methods have been applied in order to prove presumption of conformity with the essential requirements of the Radio Equipment Directive (2014/53/EU)

Contact Information

Global

AVer Information Inc.

www.aver.com

8F, No.157, Da-An Rd., Tucheng Dist.,

New Taipei City

Taiwan

European Headquarters

AVer Information Europe B.V.

Westblaak 140, 3012KM, Rotterdam, Netherland

Tel: +31(0)10 7600 550

Technical support: EU.RMA@aver.com

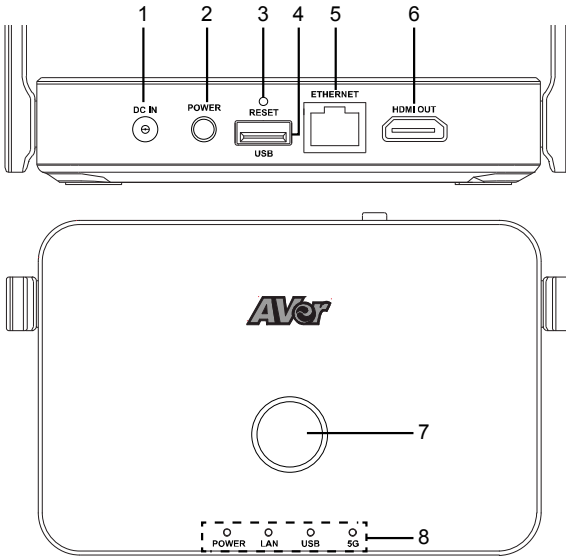
Contents

AVer AW200	1
User Manual.....	1
Product Overview.....	1
AVer Receiver	1
AVer Transmitter	1
AVer Transmitter Light Indicator	2
AW200 Main Screen	3
AW200 Icon Function Descriptions	3
Installation	4
AVer Receiver Connects to HDMI Monitor	4
Connects to PC	5
Connects to the iPhone/iPad.....	6
Connects Android Mobile Phones/Tablets.....	7
Return Control to Computer	10
Specifications	11
Web Login	12
Update Firmware.....	13
To pair device with Pairing File	13
Reset to Default.....	14
On the Web Screen	14
Reset Button	14
Web Screen Setup.....	15

Device Management	16
Network Management	17
Admin Setting	17
About	19
Download Android apk	19
Troubleshooting	20

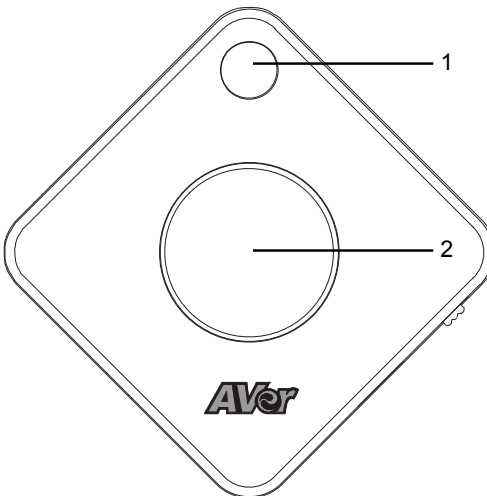
Product Overview

AVer Receiver

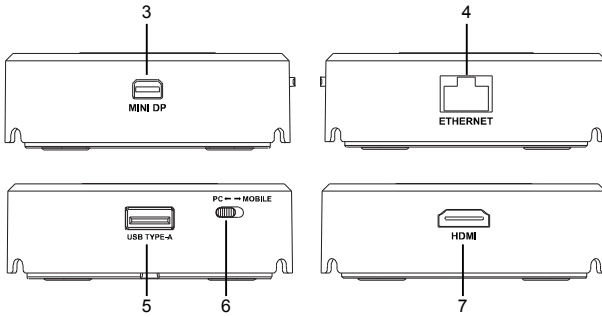


1. DC IN
2. Power Switch
3. Reset Switch
4. USB port
5. Ethernet port
6. HDMI output
7. Pairing Button (including indicator light)
8. Status Light Indicator

AVer Transmitter



1. Projection Button (including indicator light)
2. Control Button (including indicator light)

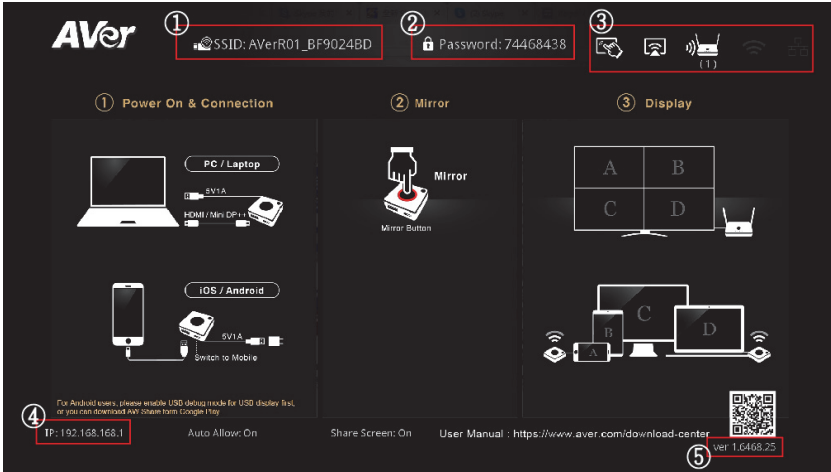


- 3. Mini Display port
- 4. Ethernet port
- 5. USB port
- 6. PC / Mobile Switch
- 7. HDMI port

AVer Transmitter Light Indicator







Indicator	Status
	Pairing done.
	<ol style="list-style-type: none"> 1. Connecting. 2. Pairing / Transmitter OTA download and installation. 3. Fail to connection (blinking for 1minutes or more).
	Standby to share screen.
	Sharing screen.
	Standby w/o sharing device.
	Transmitter OTA Completed. (This device will be restarted automatically.)
	Transmitter OTA Fail.

AW200 Main Screen



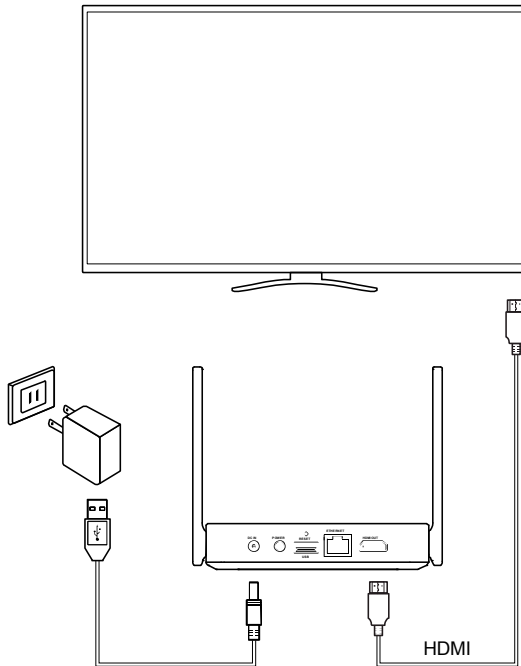
1. AVer Receiver SSID (Each device will have unique SSID.)
2. AVer Receiver wireless password
3. AVer Receiver functions and connection status
4. AVer Receiver IP address
5. AW200 Firmware Version

AW200 Icon Function Descriptions

	<p>Return Control to Computer icon</p> <p>When AVer Receiver connects to Touch monitor, the Mac/Wins device can return control to computer on touch monitor.</p>
	<p>Airplay icon</p> <p>Airplay function is set in ENABLE status</p>
	<p>Receiver connection status icon</p> <p>The parenthesized number is the quantity paired with the receiver or connected with other network equipment</p>
	<p>Network cable connection icon</p> <p>Display of white background means that the network cable has been properly connected</p>
	<p>Wireless connection icon</p> <p>AVer Receiver is connected to a 5G network and displays the name of the connected router</p>
	<p>OTA firmware update icon</p> <p>When this icon appears, it indicates that newer firmware is available and can be updated via OTA</p>

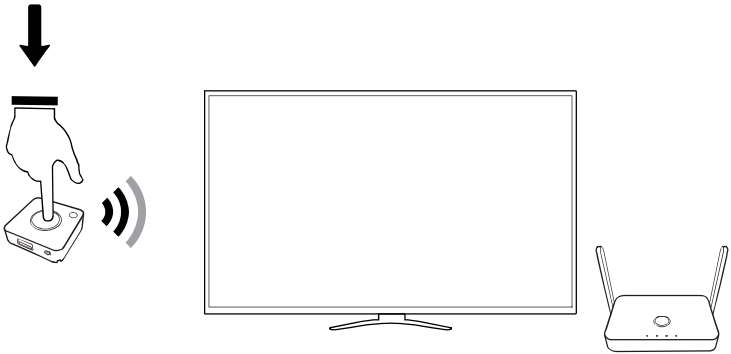
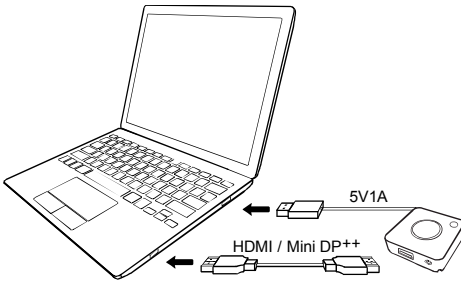
Installation



AVer Receiver Connects to HDMI Monitor



After connecting with HDMI monitor, press power button of AVer Receiver to turn on.

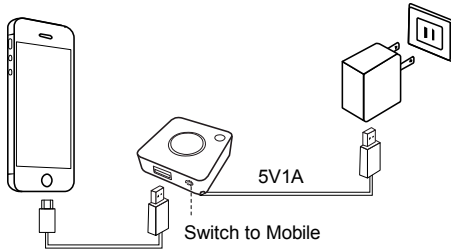
Connects to PC



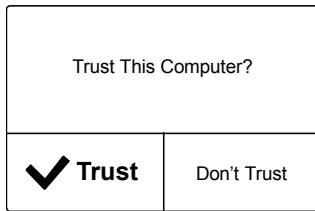
When AVer Transmitter lights in “   ” status. Press control button to share the PC/laptop’s screen to HDMI monitor.

[Note] Chromebook device doesn't support split screen in current version.

Connects to the iPhone/iPad



The screen prompts with selections. Please click **"Trust"**

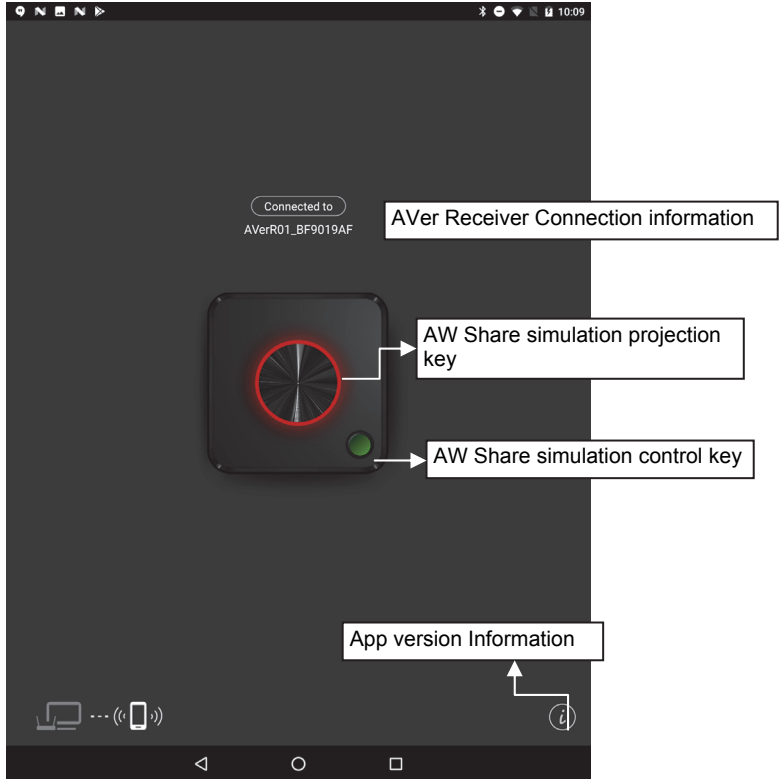


Press the projection key of the AVer Transmitter to project the screens.



Connects Android Mobile Phones/Tablets

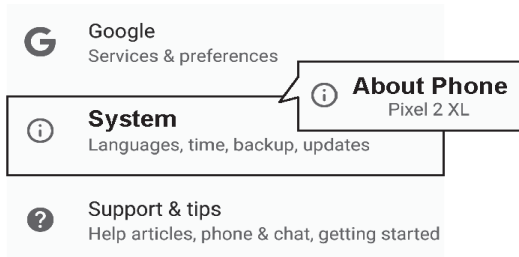
1. Please visit Google Play Store to download AW Share App (name: AW Share)
2. Use a mobile phone to connect to AVer Receiver via Wi-Fi.
3. Select AW share App, click the AVer Transmitter projection key on the App to begin projection



[Note] Due to the limitation of Android system, currently audio output of Android equipment is not supported.

Please enable USB Debugging on device before connecting to device.

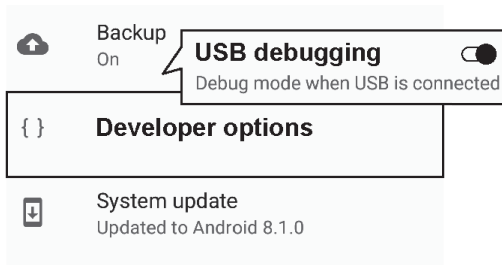
1. Go to Setting→System→About Phone.



2. Click Build Number for 7 times to enable Developer Option.



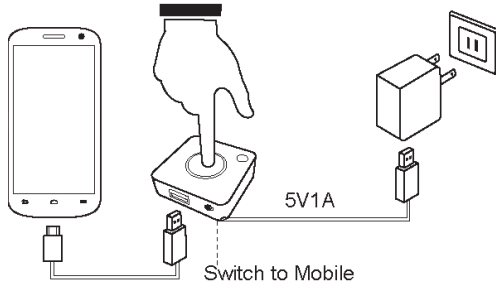
3. Go to Developer option→USB Debugging→ On.



4. Plug to AVer Transmitter and allow USB debug.

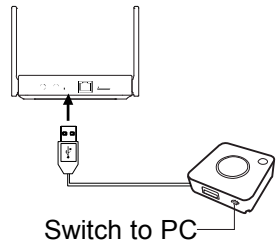
[Note]Please select MTP or File Transferring in the notifications when USB is connected.

5. Connect to device.

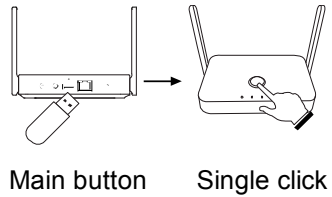


If AVer Receiver cannot connect with your device, please do the pairing setup again.

Plug in AVer transmitter's USB cable to receiver to do the pairing Setup.



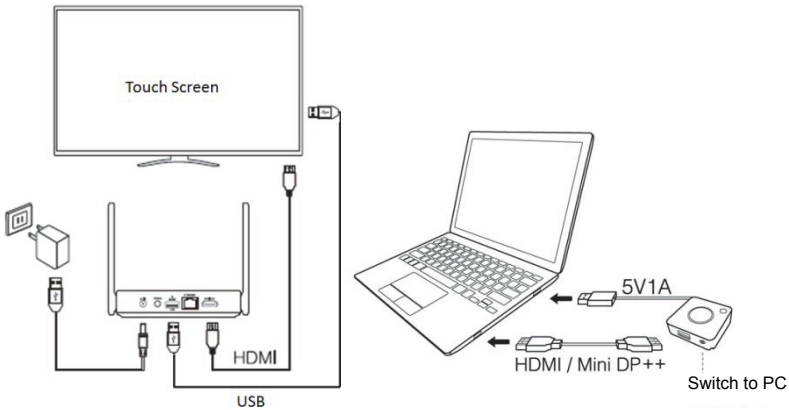
Download the pairing file to USB disk and plug USB disk to AVer transmitter to do pairing setup manually.



Return Control to Computer

When the AVer Receiver is connected to a touch screen, please follow the following connection method to set up return control to computer.

1. Connect the USB port of the touch screen to the USB port of AVer Receiver.
2. Connect the USB cable from AVer Transmitter to the computer and switch to PC side.
3. Connect the HDMI or MiniDP port of the AVer Transmitter to the computer.
4. When the screen of only one computer is projected, users can operate the computer screen from the touch screen.



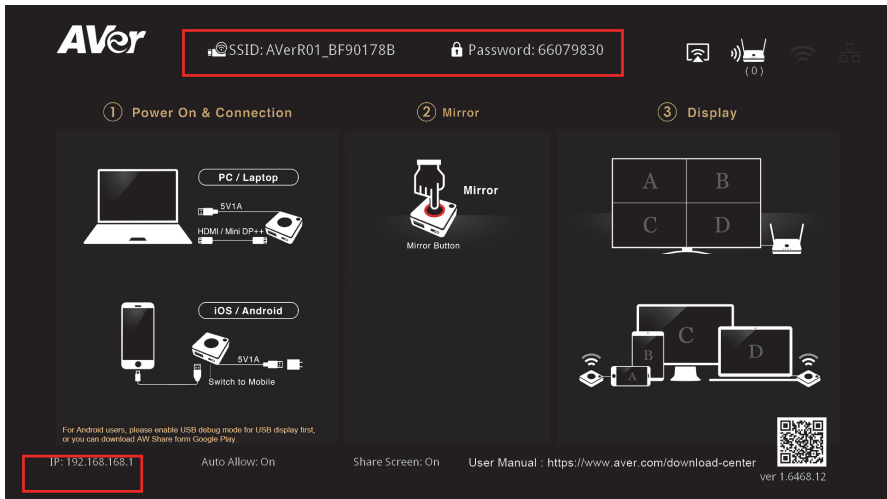
[Note] When multiple split screens are projected, the return control to computer functions is not supported

Specifications

Product	AW200
SKU	AAW200WPK
Rx Output	HDMI Out x 1 (up to 4096 x 2160p 24Hz, 3840 x 2160p 30Hz, 1920x1080p 60Hz)
Tx Interface	HDMI In
	Mini DP In
	Gigabit Ethernet
	USB for Mobile Devices (iOS)
Rx Interface	HDMI / USB / Gigabit Ethernet
Power Supply	AR200 Receiver: DC Power Input or PoE (IEEE 802.3AT)
	AP200 Transmitter Pods: USB 2.0 bus power or PoE (IEEE 802.3AT)
Wi-Fi	IEEE 802.11ac
Supports iOS® / Android™ Wire Mirror	Yes
Mirror Max Resolution	Tx: 4K In, Rx: 4K Out
Mobile Phone Support	Wired through Tx: USB Mirroring for iOS Wireless to Rx: Airplay for iOS, AW Share for Android
Reverse Control for Touch Panel	Yes (selected panels)
Number of Simultaneous Sources on Screen	4
Power Requirement	AR200 Receiver: 5V / 2A
	AP200 Transmitter Pods: 5V / 1A
Dimension	AR200 Receiver: 7.09 x 3.15 x 0.98 "(Without Antenna)
	AP200 Transmitter Pods: 3.2 x 3.2 x 1"
Net Weight	AR200: 153g (0.34 lbs)
	AP200: 136.93g (0.3 lbs)
Gross Weight (with Packaging)	1.1kg (2.2 lbs)

Web Login

1. Go to Wi-Fi settings on the device (ex: PC or mobile phone) and connect to AVer Receiver. Please refer to the on-screen information to find SSID and password.



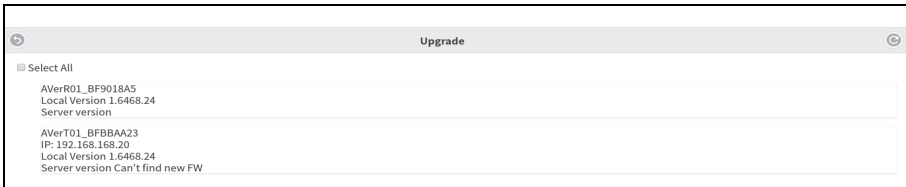
2. Go to [Settings] on a mobile device and search for wireless network devices (e.g.: AerRD01_BF90178B).
3. Enter the Wi-Fi password (e.g.: 66079830).
4. Run the Chrome browser and enter the IP address of AVer Receiver(default IP is **192.168.168.1**).
5. Input the Admin Password (default password [**000000**]). For the initial login, the system will ask for password change. Please follow the on-screen instruction to change the password. After the password is changed, please use the new password to log in again.
6. Enter the password in "Password" column and log in to the web screen.

Update Firmware

1. Please connect the AVer Receiver to wired or wireless network first
2. Go to [Admin Setting] and select [Upgrade]

[Note] If new version of firmware is available for download, then the screen will show the new version to be downloaded

3. Select the AVer Receiver or transmitter to be upgraded
4. Click [Update] and wait for a reboot of the devices




To pair device with Pairing File

1. Prepare a blank USB flash drive and insert it to the USB port on AVer Receiver.
2. Log in AVer Receiver web screen.
3. Go to [Device Management] and select [Download Pairing File]
4. Download the pairing files for AVer Receiver and save them onto the root directory of the USB flash drive
5. Switch AVer Transmitter to Mobile, insert the USB flash drive to the USB port on AVer Transmitter and then power on (powered by a USB port on devices other than AVer Receiver).
6. When the LED indicators on AVer Transmitter are changed from dual flashing red lights to solid white lights, the pairing is completed successfully.

Reset to Default

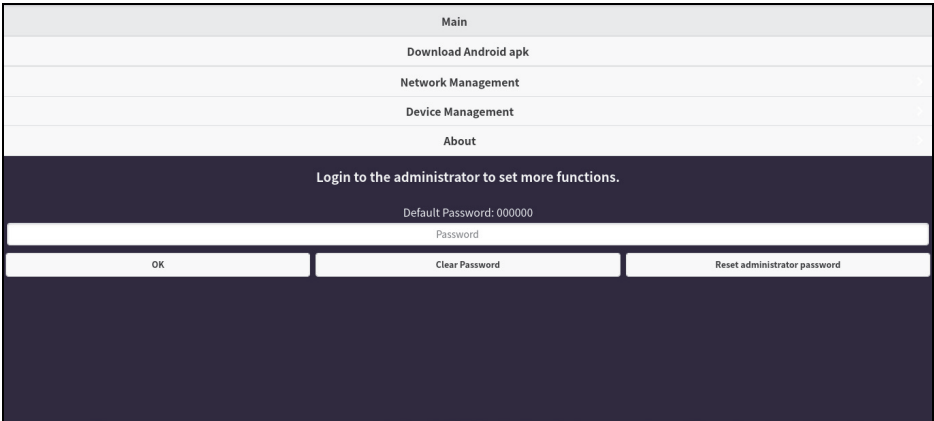
On the Web Screen

1. Select [**Admin Setting**] from the top-left menu .
2. Select [**Reset to Defaults**] and select the equipment to be reset to defaults
[Remark] RX is receiver; TX is transmitter.

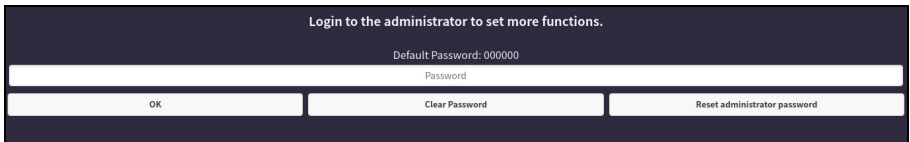
Reset Button

Press and hold the Reset button on the back of the product unit (at least for 10 seconds) and wait about 1 minute for the product to completely reboot. All settings will be restored to the factory default status.

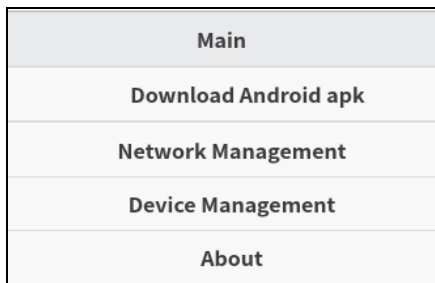
Web Screen Setup



1. **Login:** Connect to AVer Receiver' Wi-Fi. Then, open the Chrome browser on your PC/Laptop to enter the IP address of the AVer Receiver (Default IP is **192.168.168.1**). After log in, the main web screen is displayed as above figure shown. User can login as an admin for advanced management. Enter the password (Default password is **000000**) to login as a administrator.



2. **Network and Device Management:** Without log in administrator, user can setup "**Network Management**" and "**Device Management**". Each functions and values will describe in following contents.



Device Management

Function	Option	Description
Language	English Français Deutsch Español 简体中文 繁體中文 日本語 한국의 Italiano Русский Nederlands Português Türk العربية ไทย فارسی Auto	Set up the language displayed in the receiver
Resolution	1280 x 720 50p 1280 x 720 60p 1920 x 1080 24p 1920 x 1080 50p 1920 x 1080 60p 3840 x 2160 24p 3840 x 2160 25p 3840 x 2160 30p 4096 x 2160 24p Auto	Set up the output resolution of the receiver
Maximum number of connections	4 users 8 users 16 users 32 users 64 users	Set up the maximum number of connections of the AVer Transmitter
Download Pairing File	"File name"	This function can achieve the goal of pairing via downloaded pairing files. Please refer to To pair devices with pairing files for the method


Network Management

Function	Option	Description
Scan 5G SSID and connect	Close after plugging in the network cable	1. Display when connecting to wired network 2. When not connecting to wired network, "Blank" is displayed Description: AW200 only supports 5G Router
Remember WiFi	On/Off	On: If the router to be connected has been set up, it will be connected automatically upon startup Off: The router previously set up will not be connected automatically upon startup

Admin Setting

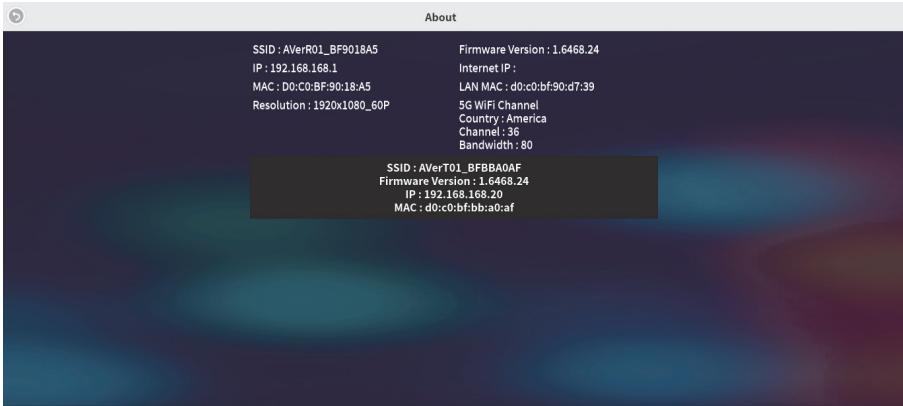
[Note] A login admin account is required.

Function	Option	Description
WiFi Channel	1. Country 2. Channel 3. Bandwidth	5G Wi-Fi Channel Setting Set up the Wi-Fi channel according to the country/region of residence
LAN IP Setting	1. Auto 2. IP address 3. Gateway 4. Subnet mask 5. DNS 1 6. DNS 2	If a wired network is used, DHCP or static IP can be set up here
SSID	1. New SSID 2. Mask SSID 3. Disable SSID	Set up the SSID name displayed in the receiver Mask SSID: After enabling, manually initiate SSID of the client side to search for the receiver Mask SSID: After enabling, the client side will not be able to scan the receiver
Password	1. Password 2. Mask password	Set the WiFi password of the receiver
My Screen	Select files	Set up the image displayed on the main screen of the receiver The image format for upload is restricted to the followings: Resolution: 1920 x080 File Size: < 3 MB Image Format: JPEG

Function	Option	Description
AirPlay	On/Off	Enable AirPlay functions to project the video and audio output of Apple equipment to the receiver. ※ After the setting is modified, the receiver will reboot.
Administrator Password	1. New Password 2. Confirm Password	Change the administrator login password for the receiver. ※ To modify the items of Administrator settings, you must log in using the Administrator password
Screen saver	1. Off 2. 15 minutes 3. 30 minutes 4. 1 hour	Set the screen saver time. If the receiver is not operated during the saver time, close the screen. When using the transmitter to project screens or log in the receiver web page, resume the screen display.
WiFi enterprise	"Select files for upload"	Set digital signature authentication
Upgrade	"Select the firmware version"	Confirm whether the current OTA server has the latest version. If the receiver connection status is  , it means newer versions are available for download
Restart	"Do you want to restart?"	Restart the receiver
Reset defaults	1. Reset RX 2. Reset TX 3. Reset RX+TX	Restore the receiver or transmitter to factory default settings

About

Display the receiver and transmitter equipment, connection, and version information.



Download Android apk

Using Android mobile devices to enter the receiver web page. After selecting Android apk for download, install AW Share App to simulate the actual transmitter in projecting screens. Please refer to [Connects to Android Mobile Phone/Tablet](#) for operation methods.

Troubleshooting

This Chapter describes questions frequently asked during the use of AW200 and suggests methods and solutions.

No.	Problems	Solutions
1	The AVer Transmitter is connected to the device, but it can't share screen.	Please reference the AVer Transmitter's pairing steps to pair it again.
2	The AVer Transmitter is connected to the USB 2.0 port, but the system fails to start up (no light), or it powers on then off repeatedly.	AVer Transmitters require a USB with power delivery specification of 5 V 1 A. Connection to a USB 3.0 connection port or other USB power adapters is recommended, so that power supply is sufficient enough to start up a AVer transmitter.
3	Can't control your PC on touch screen.	<ol style="list-style-type: none"> 1. Please check AVer Transmitter's switch button is on PC. 2. Please check the return to touch function's is enabling in main page. 3. Please do the setup directly. (No recommend to use convector)
3	When AVer Transmitter USB is connected to a Android tablet, AVer Receiver has no audio output	Currently, audio output of Android equipment is not supported
4	When an Android mobile device is projecting to a 2-split screen or a 4-split screen, the screen of the Android mobile device in a vertical position is smaller than that of an iPhone. Why?	Currently, this is a known limitation and not the problem between a mobile device and AW200. This is normal. It's advised to place the mobile device in a horizontal position.
5	When an iPhone is connected to the AVer transmitter, the time on the iPhone will be changed; the battery charge temporarily becomes 100%. Why?	This is normal for the current design. After the iOS cable is removed from the AVer Transmitter, it will return to the previous status.
6	AVer Transmitter cannot POWER ON when connecting to a laptop	<ol style="list-style-type: none"> 1. Please make sure if AVer Transmitter is connected to a USB 3.0 port. If not, please reconnect to a USB 3.0 port 2. If AVer Transmitter is connected to a USB 3.0 port, please also connect your laptop to a power cord to have sufficient power

No.	Problems	Solutions
7	Cannot change image	<p>Please make sure filenames meet the following requirements</p> <ol style="list-style-type: none"> 1. 1920 x 1080 JPG file 2. The file size is less than 3 MB 3. Filenames can be in English 4. Filenames cannot contain spaces
8	The wired network icon on the AVer Receiver page displays an exclamation mark (as shown in the following figure).	<p>When the symbol to the left appears, it indicates possible IP conflict or other network errors.</p> <p>Please confirm whether the network is connected to the internet correctly Please confirm if the IP setting of AVer Receiver is the same as other IP address settings within the Local Area Network (LAN).</p>
9	The wireless network icon on the AVer Receiver page displays an exclamation mark (as shown in the following figure).	<p>When the symbol to the left appears, it means possible Wi-Fi connection failure, invalid password and other errors.</p> <p>Please try to connect the wireless network again</p>