

# Assembly Instructions

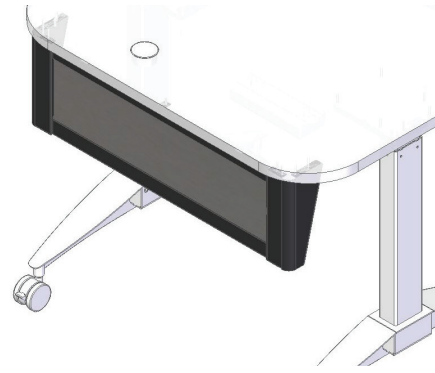
## ⚠ Important ⚠

Before you begin, read and comply with all safety and operating instructions, and ensure all parts and correct quantities are included.

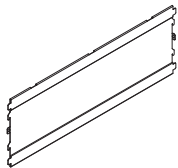
Any parts damaged during shipment must be reported within 5 days of receipt. To report information regarding missing parts or damage, to purchase parts or accessories, or if you have any questions, please contact us.

[www.spectrumfurniture.com](http://www.spectrumfurniture.com)  
800-235-1262, 715-723-6750

Thank you for purchasing Spectrum products!



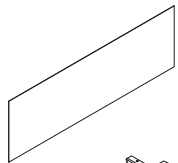
## Modesty Panel (with insert) for Pivot Workstation™ 37331



(1) 0138360  
Modesty panel



(1) 0134099  
Bracket



(1) 0138361  
Laminate insert



(1) 037542  
#8 x 5/8" PHSM



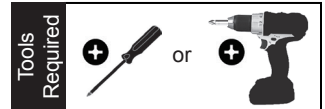
(1) 0138391  
Left corner



(8) 0101382  
#14 x 7/8" PHSM



(1) 0138392  
Right corner



## 1. Install laminate insert

1. Slide the laminate insert into the modesty panel. (Color side out)  
**Figure 1.**

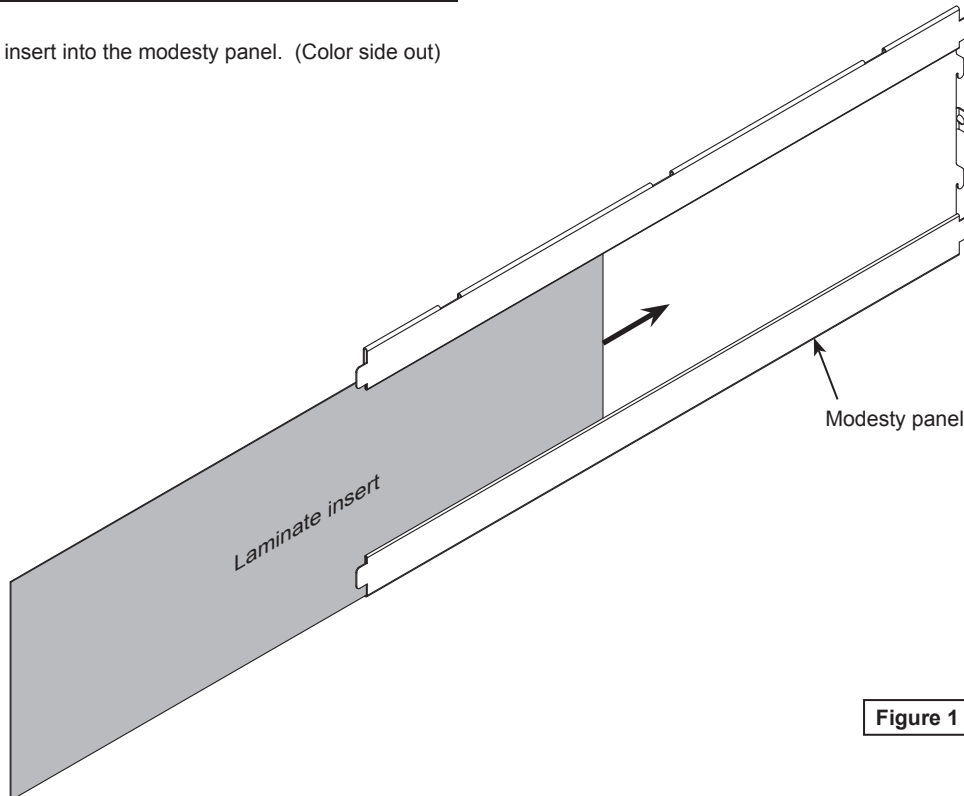


Figure 1

## 2. Install modesty panel

1. Carefully flip the workstation upside-down onto a non-abrasive surface. This may require 2-3 people.
2. Orient the modesty panel and corners as shown and lock together. **Figure 2.1.**
3. Place the mounting bracket inside the panel pocket. **Figure 2.2.**

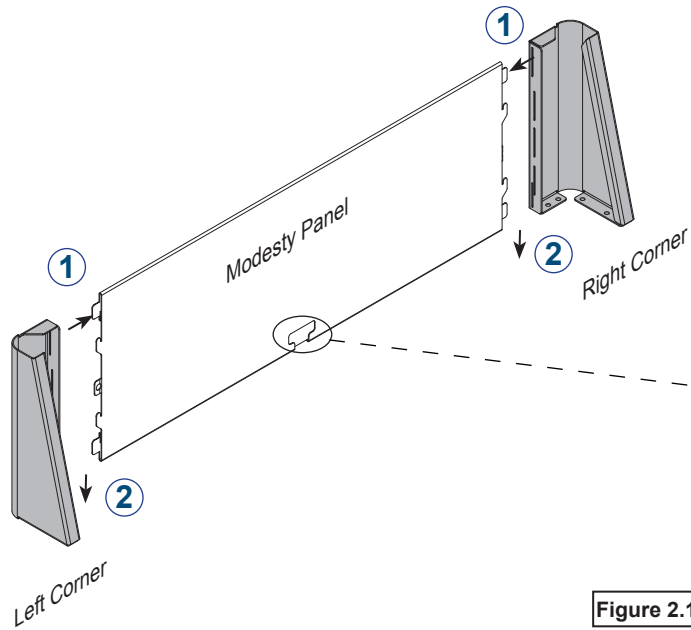


Figure 2.1

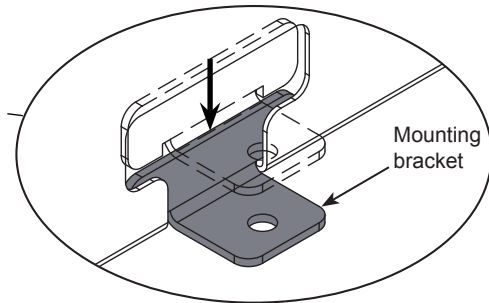


Figure 2.2

4. Align the modesty panel, bracket, and worksurface mounting holes. **Figure 2.3.**
5. Attach to worksurface with (8) #14 x 7/8" PHSM screws. **Figure 2.4.**
6. Secure mounting bracket with (1) #8 x 5/8" PHSM screw.

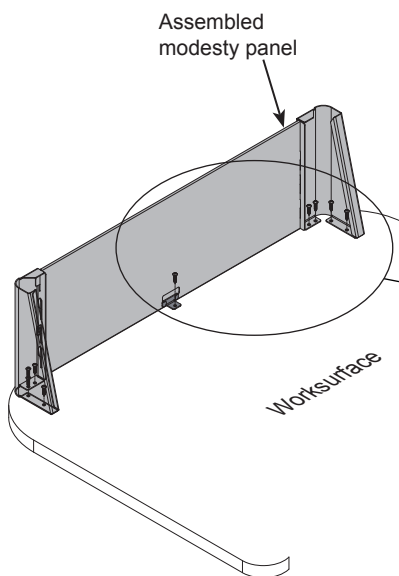


Figure 2.3

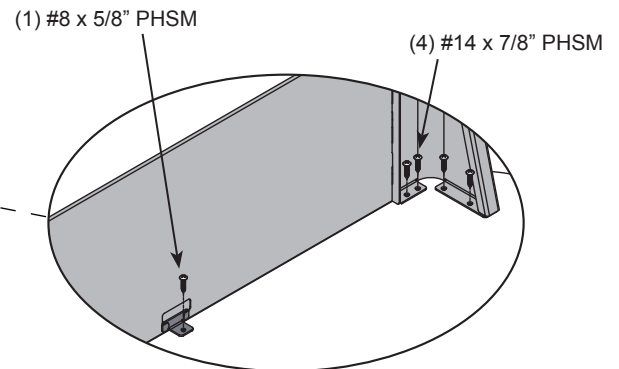


Figure 2.4