



AVOCOR E SERIES 55" DISPLAY



The E series 55" display utilizes the very latest optimized touch technology and superior glass technology providing a smooth and extremely accurate, low latency writing experience as well as object recognition. The ability to easily switch between using a pen, finger, and palm create for a fluid collaborative environment for users in real-time and introduces Avocor's UiQ touch enabled interface.



Avocor UiQ is Avocor's new Smart touch enabled dynamic user interface, with source preview, touch menu that allows for remote control free usage.



Over-the-air (OTA) firmware update capability enables firmware updates to be more efficiently deployed rather than manually upgrading each device individually.

55"

Avocor's first ever **55" display** is the perfect size for focus rooms and executive home offices bringing collaboration to smaller spaces.



Zero parallax glass surface with anti-glare and anti-fingerprint coating for a crisp image with smooth, pixel-perfect inking.



Enhanced **HDMI out supporting 4k video @60Hz** and offering a range of connectivity options. The 55" display **offers a Type-C connectivity** option and also includes front facing guest HDMI, USB touch connections and a USB hub connection for easy access to USB drive data.



A high-quality, **front-facing soundbar** module is included, ensuring that the display provides 30w conference room audio delivering a crystal-clear audio experience.

DISPLAY

Diagonal size	55"
Model number	AVE-5530
Backlight	Direct LED
Aspect Ratio	16:9
Resolution	4K@60Hz, 3840 x 2160
Response time	8ms
Brightness (average)	370 (cd/m2)
Contrast ratio(average)	4000:1
Viewing angle°	178° / 178
Supported colors	30-bit deep color
Display orientation	Landscape

CONNECTIVITY

Guest inputs	1 x HDMI 2.0, 1 x USB-B Touch 3.0, 1 x USB-A 3.0 Hub, 1 x Type-C
Side inputs	2 x HDMI 2.0, 1 x DisplayPort 1.2, 1 x USB-B 3.0 touch, 1 x VGA with audio input, 1 x USB-A 3.0, 1 x USB service port, HDMI Out (4K@60Hz), 1 x LAN Ethernet (RJ-45) out
Audio	1 x 3.5mm audio out, 1 x optical (SPDIF)
Control OPS slot	1 x RS-232, 1 x LAN ethernet (RJ-45) in Yes, 3840 x 2160 @60Hz

DISPLAY & REMOTE CONTROL FUNCTIONS

Auto-source detection	Yes
Source preview	Yes
Blank	Yes
Freeze	Yes

TOUCH SYSTEM

Touch	Up to 20 point Avocor Intelligent Touch, supports 1 x fine tip stylus
Glass	2mm optically bonded, anti-glare, anti-fingerprint
Supporting operating system	Windows 8/10, Mac OS*, Linux*

AUDIO

Built-in speakers	2 x 15W forward facing
-------------------	------------------------

PHYSICAL SPECIFICATIONS

Product dimensions	1286 x 802 x 78.4 mm 50.63 x 31.57 x 3.09 in
Shipping dimensions	1415 x 932 x 270 mm 55.71 x 36.69 x 10.63 in
Weight	Net: 32.5 kg 71.65 lbs / Gross: 44.5 kg 98.11 lbs
Wall mount VESA	400 x 400 mm 15.75 x 15.75 in
Handles	2

POWER

Power supply	AC100-240V (Worldwide)50/60Hz
Maximum power consumption	<220W
Standby	≤0.5 W

ENVIRONMENTAL

Operating temperature	0 °C ~ 40 °C
Storage temperature	-20 °C ~ 60 °C
Humidity	20% ~ 80%

WHAT'S IN THE BOX

1 x Remote control & batteries, 2 x 3mm fine-tip passive touch pen, AC power cords (1 x UK, 1 x EU, 1 x US, 1 x AUS), 1 x USB-B 3.0 cable (3m | 118.1 inches), 1 x HDMI cable (3m | 118.1 inches), 1 x Quick Start Guide, 1 x Type-C cable (1.5m | 59 inches), 1 x VESA adapter plate

WARRANTY

Terms and conditions vary via region, please visit www.avocor.com/faq/avocor-global-warranty

SS598ML3



Mounting Pattern
Up to 800 x 600mm
(31.49" x 23.62")



Max Load
280lb
(127kg)

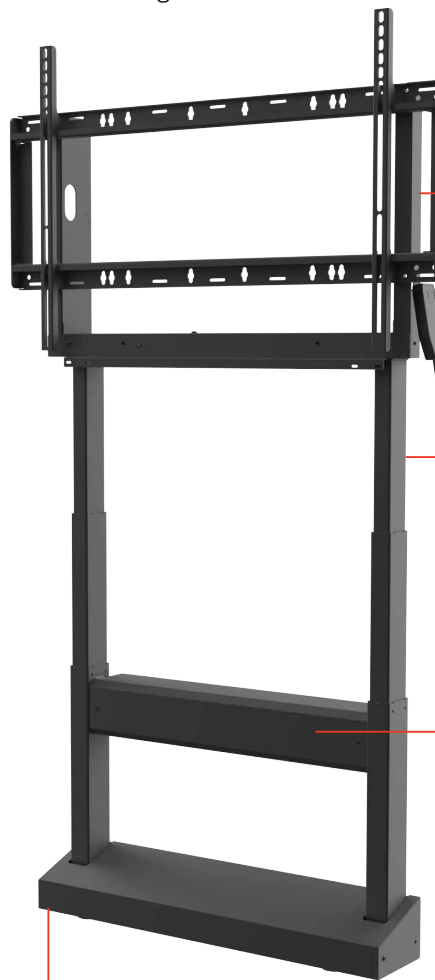
SMARTMOUNT.

Motorized Height Adjustable Stand/Wall Mount

FOR 42" TO 86" INTERACTIVE DISPLAYS

Peerless-AV's SmartMount® Motorized Height Adjustable Stand/Wall Mount was designed to safely mount, raise and lower an interactive display. UL recognized actuators allow the user to raise or lower a display, up to 25.6" (650mm), with the touch of a button. The highly stable design can rest on the floor, or be bolted directly to either the floor or wall. The rear wall plate provides access to mount a Peerless-AV® surge protector or a mini PC, and the bottom shelf provides an area to store a digital pen or eraser. This unique mounting surface allows various users the ability to comfortably interact with a display, making it an ideal solution for education settings.

- Display height can be adjusted up to 25.6" (650mm) with the touch of a button
- Display adaptor fits from 200 x 200 to 800 x 600mm mounting patterns
- Pre-assembled base provides rigidity, stability and quick assembly
- Safety limit switch automatically reverses direction and stops when a collision is detected in an upward, downward or lateral force
- Textured black powder coat finish helps hide finger prints and dust



REAR STORAGE

Provides up to 29"W x 13.5"H x 4"D storage for mini PCs, such as Dell Optiplex Micro, HP 260 G2, Lenovo M600 Tiny, or Intel NUC



VERTICAL ADJUSTMENT

Center of display is adjustable from 34"-60" from the floor

SUPPORT COVER

Hides hardware and doubles as a small shelf for digital pens and erasers

LEVELING LEGS

Allow the stand to be positioned properly, even on unlevel surfaces



Shown with Display



Shown with Optional Standoff Plate (ACC114) to Provide 3.5", 4", 4.5" or 5" of Clearance Between the Stand and the Wall



RoHS
2002/95/EC



Complies with the ADA Standards for Accessible Design, Section 308.

info@peerless-av.com
peerless-av.com

peerless-AV®
Driving Technology Through Innovation

SS598ML3 SmartMount® Motorized Height Adjustable Stand/Wall Mount for 42" to 86" Interactive Displays

Product Specifications

	DIMENSIONS (W X H X D)	PRODUCT WEIGHT	LOAD CAPACITY	FINISH	AVAILABLE COLORS
SS598ML3	33.13" x 47.76"-72.42" x 6.63" (842 x 1213 - 1840 x 168mm)	100lb (45.4 kg)	280lb (127kg) Display	Textured Powder Coat	Black

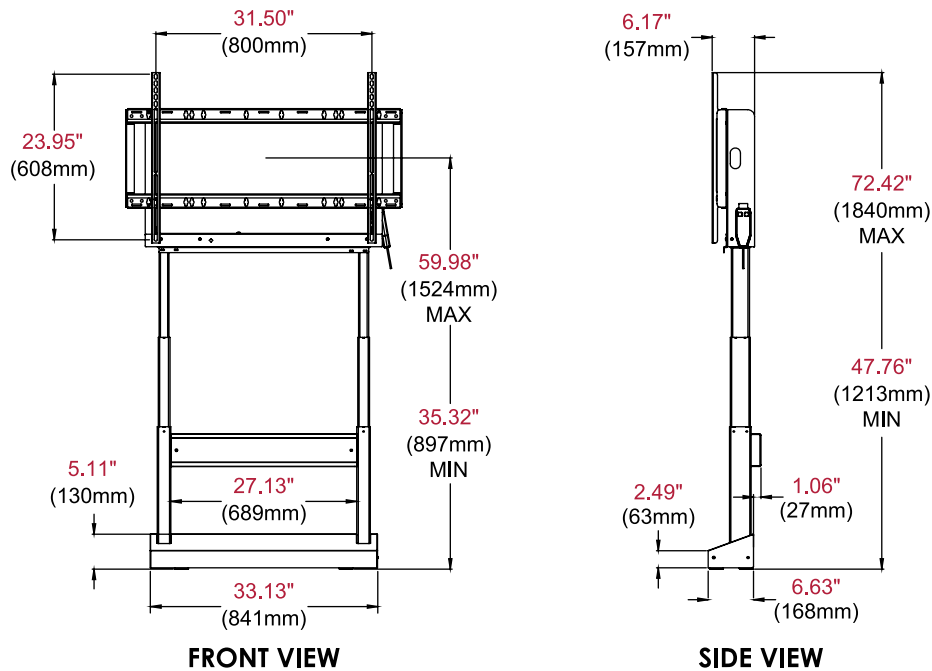
Package Specifications

	PACKAGE SIZE (W x H x D)	PACKAGE SHIP WEIGHT	PACKAGE UPC CODE	PACKAGE CONTENTS	UNITS IN PACKAGE
SS598ML3	48.00" x 10.00" x 39.00" (1219 x 254 x 991mm)	130.5lb (59.2kg)	735029329459	Assembled Base with Motorized Columns, Universal Display Adaptors, Control Box, Control Switch, Leveling Legs, Hardware & Instructions	1

Accessories

- ACC-WMVC5: Video Conferencing Shelf
- PVP1100-CPL6: 6 Outlet Surge Protector
- ACC114: Stand-off Plate

All dimensions = inch (mm)



Architect Specifications

The SmartMount® Motorized Height Adjustable Stand/Wall Mount shall be a Peerless-AV model SS598ML3 and shall be located where indicated on the plans. Assembly and installation shall be done according to instructions provided by the manufacturer.

Visit peerless-av.com to see the complete line of AV solutions from Peerless-AV, including outdoor displays, wireless, kiosks, digital audio, display mounts, projector mounts, carts/stands, and a full assortment of accessories.

Peerless-AV
2300 White Oak Circle
Aurora, IL 60502 USA
(800) 865-2112
(630) 375-5100
Fax: (800) 359-6500

Peerless-AV EMEA
Unit 3 Watford Interchange
Colonial Way, Watford
Herts, WD24 4WP
United Kingdom
+44 (0) 1923 200100
Fax: +44 (0) 1923 200101

Peerless-AV Latin America
Ave de las Industrias 413
Parque Industrial Escobedo
Escobedo, N.L.,
Mexico 66062
+52 (81) 8384-8300
Fax: +52 (81) 8384-8360

