

BalanceBox®400

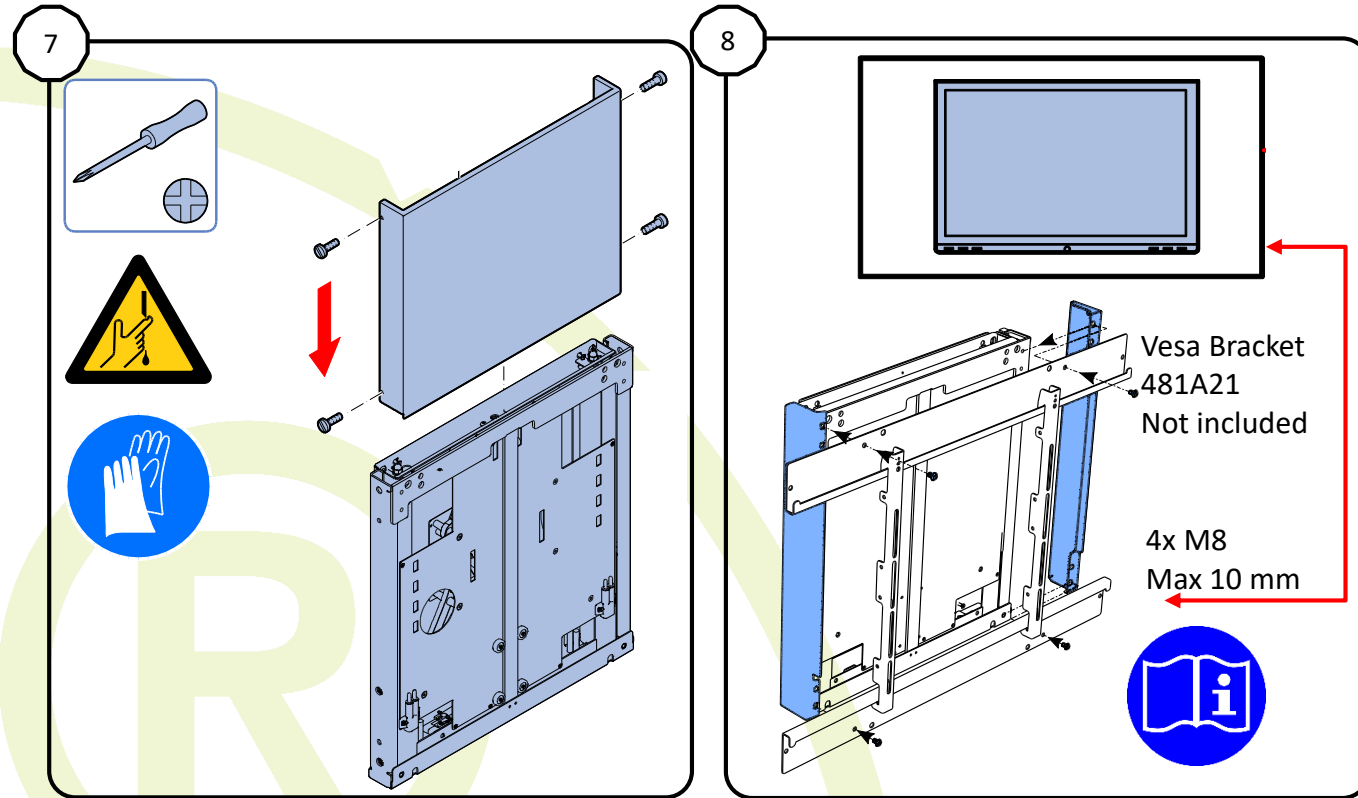
For use with Touchscreens

BalanceBox®

HEIGHT ADJUSTABLE MOUNTS

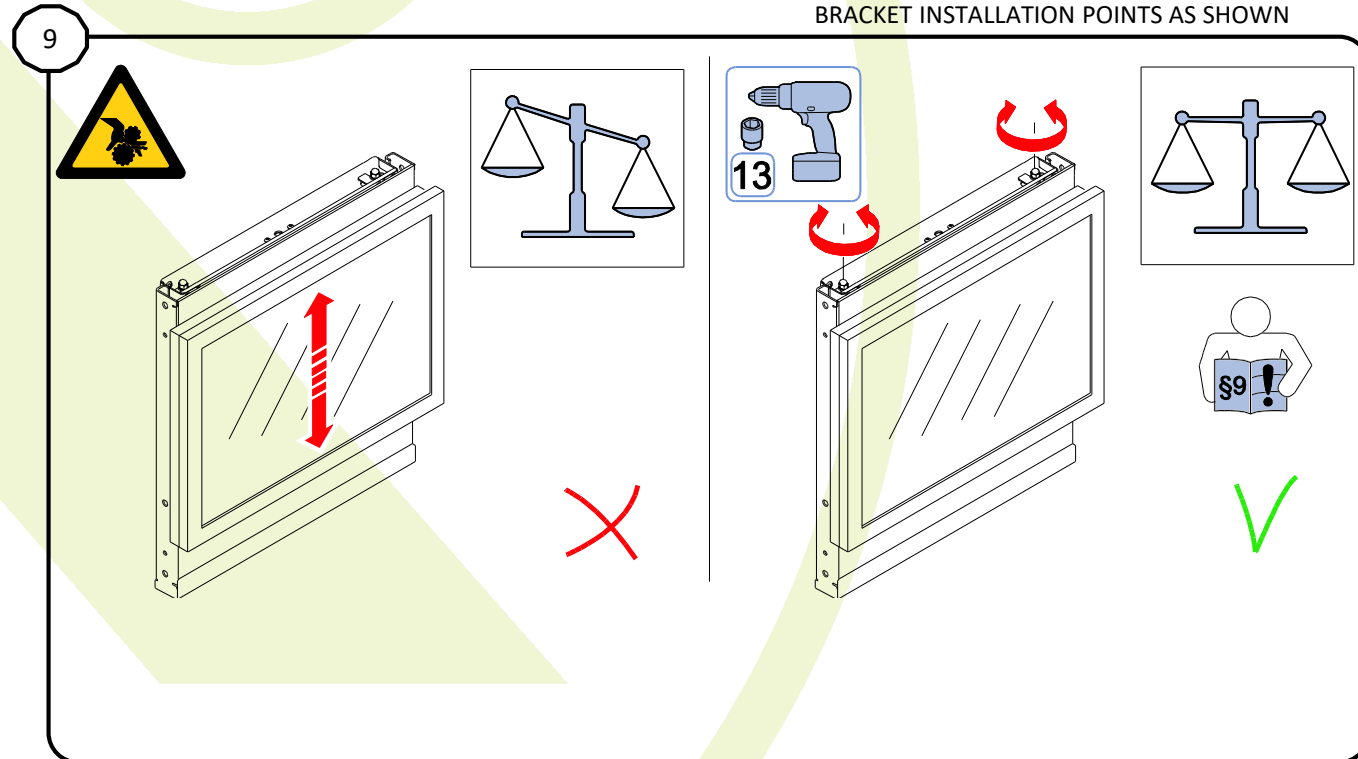
BalanceBox®400

For use with Touchscreens
Installation manual

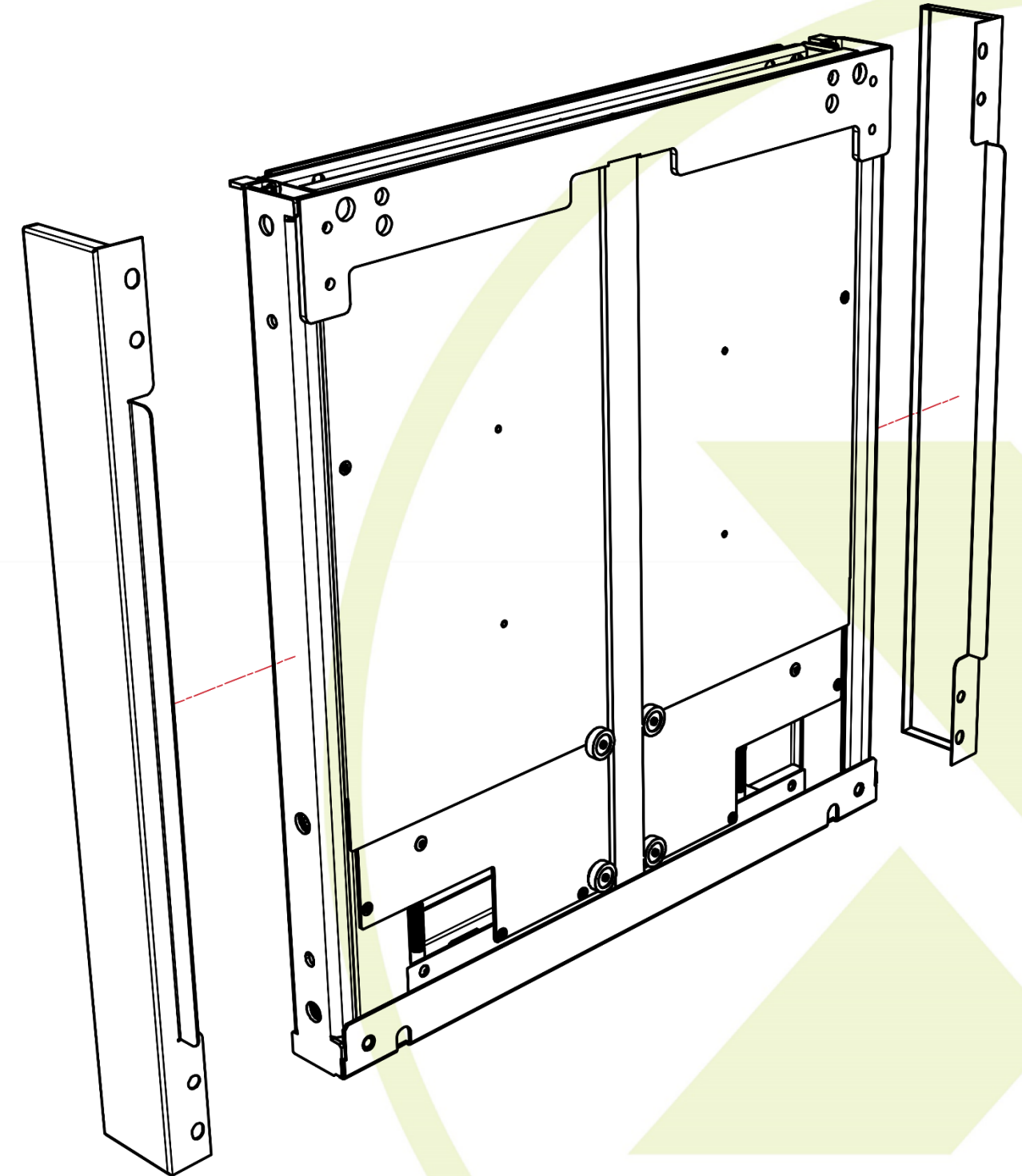


MOUNT WALL COVER

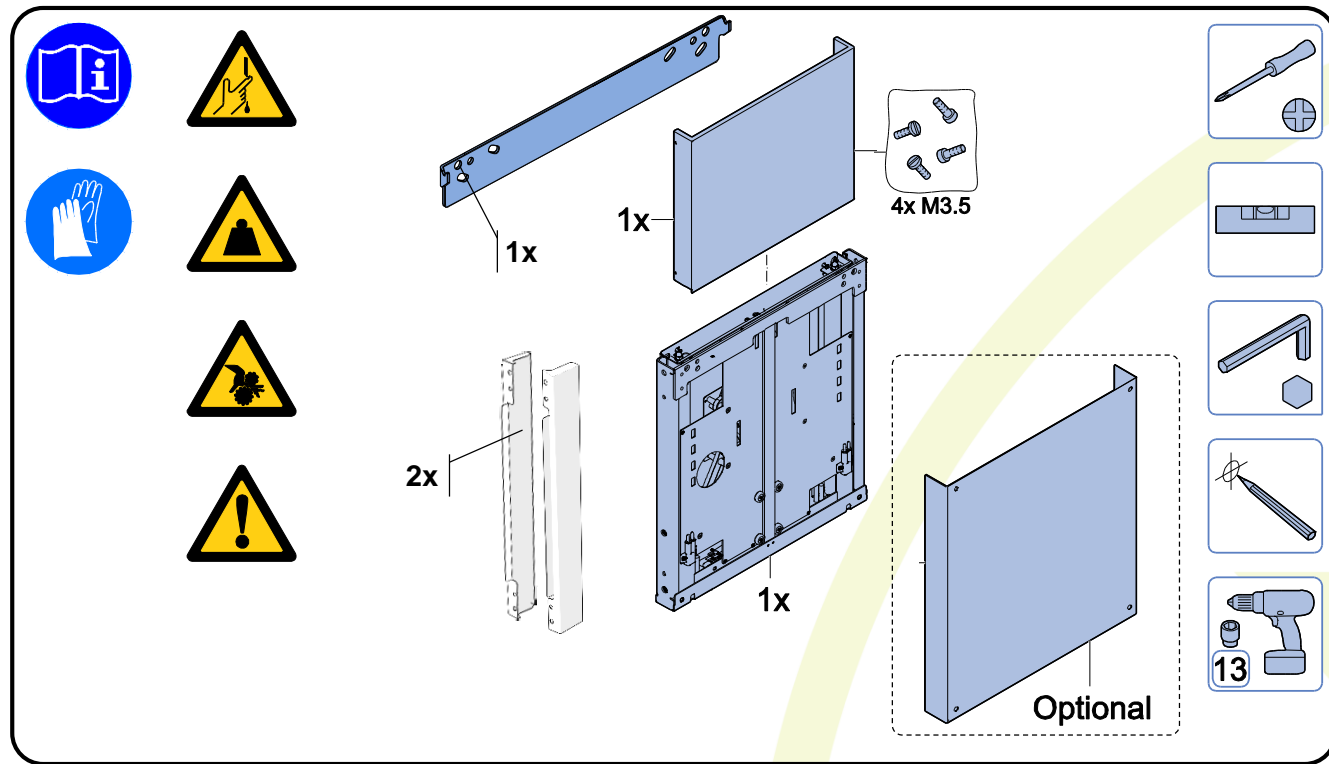
ATTACH THE SIDE COVERS TO THE BALANCEBOX®400 USING THE VESA BRACKET INSTALLATION POINTS AS SHOWN



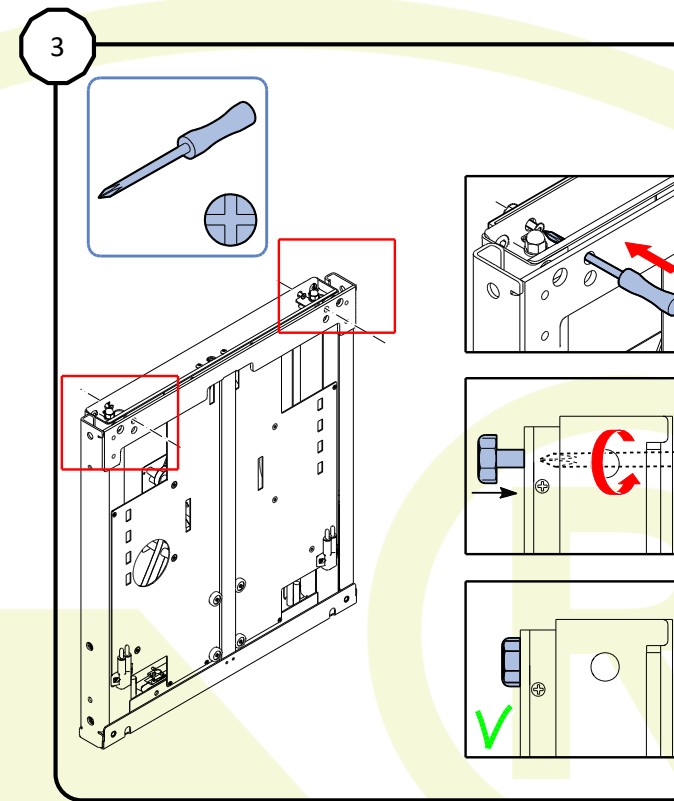
SET BALANCE, USE DRILL DRIVER LEFT/RIGHT 5 SEC COUNTER CLOCKWISE UNTIL BALANCED



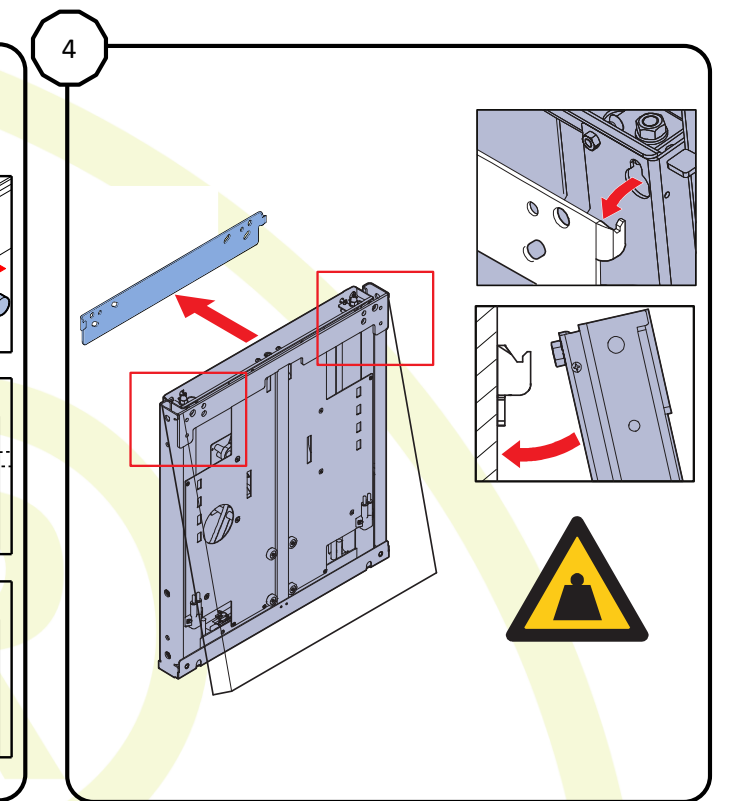
Part nr. 902809-01



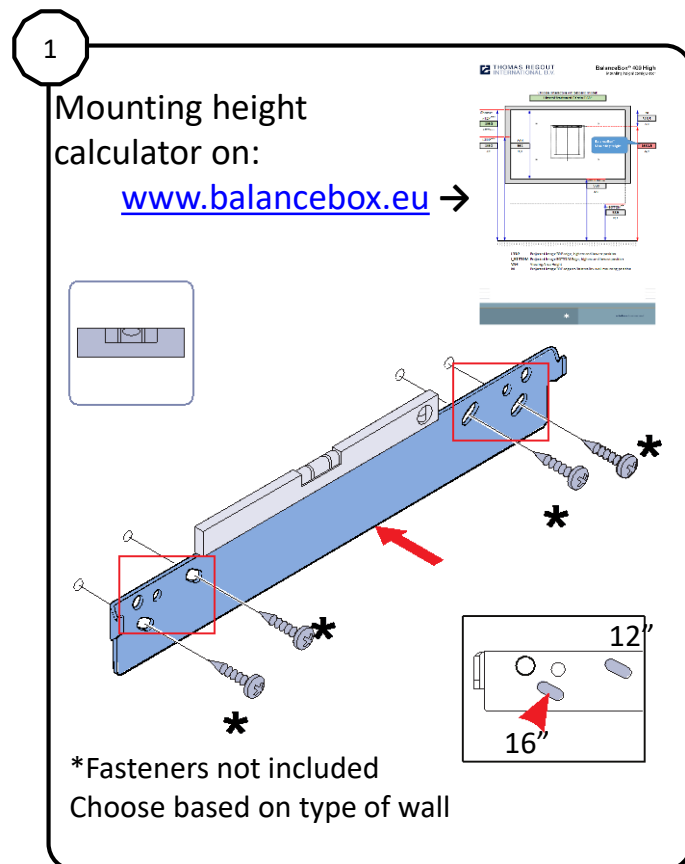
Safety warnings, contents of the box, tools needed



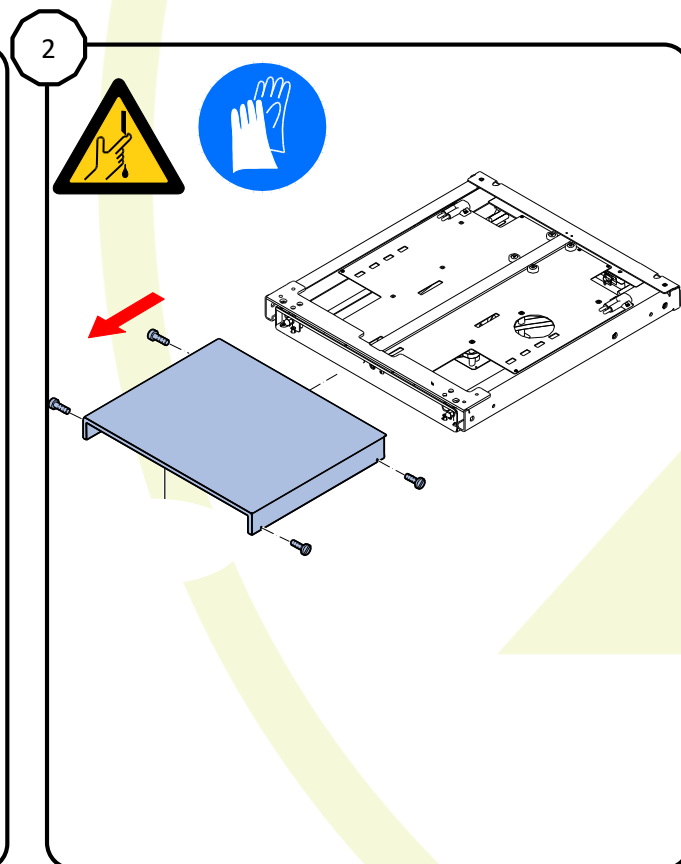
MAKE SURE SCREWS ARE UNLOCKED



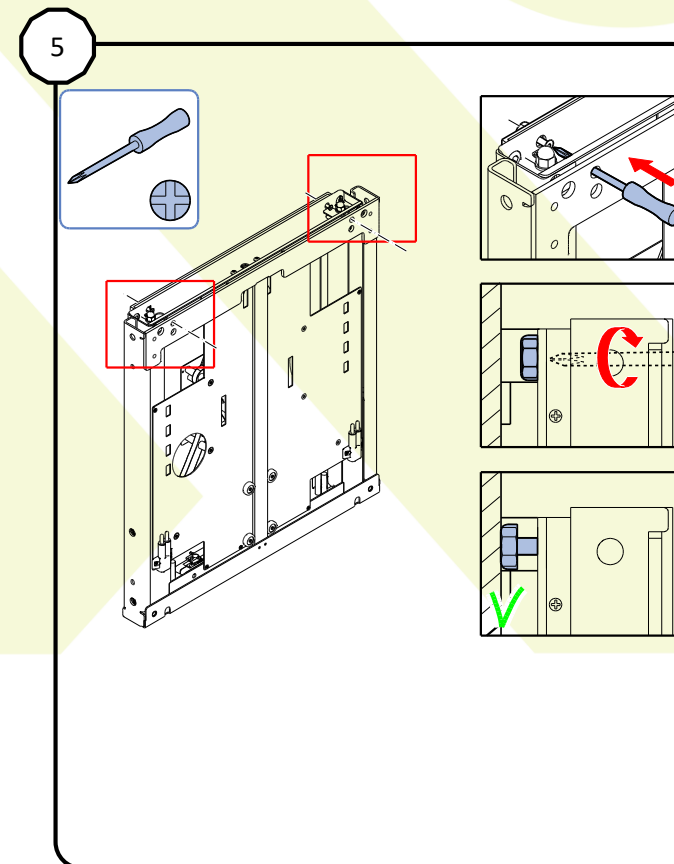
LIFT BALANCEBOX ONTO THE BRACKET



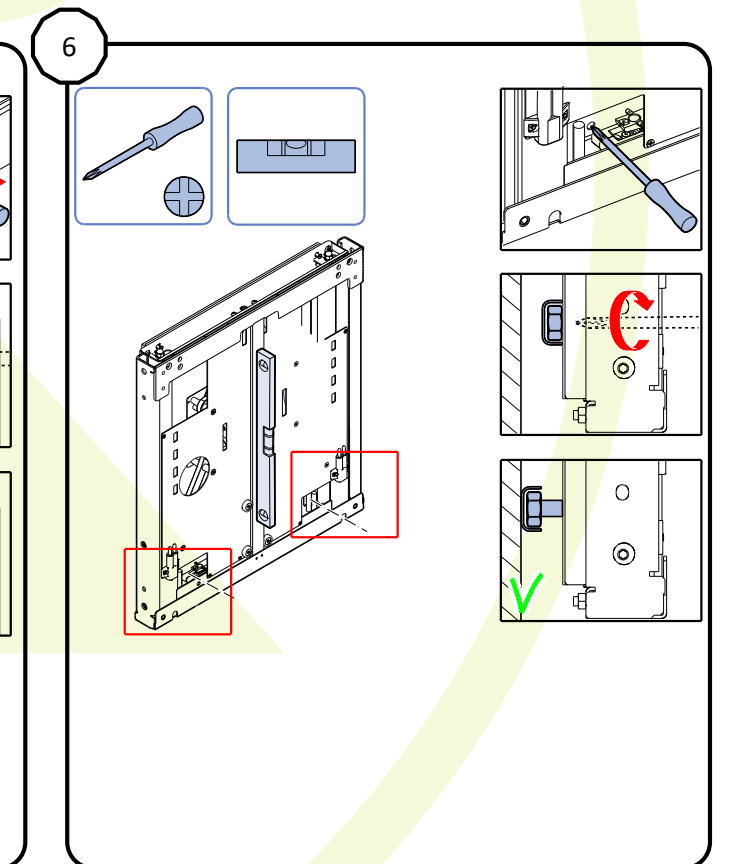
MOUNT WALL BRACKET LEVEL TO THE WALL



REMOVE COVER FROM BALANCEBOX



LOCK BALANCEBOX WITH LOCK SCREWS



LEVEL VERTICALLY WITH FEET AT THE BOTTOM

