



FLATSCREEN / VESA INTERFACE

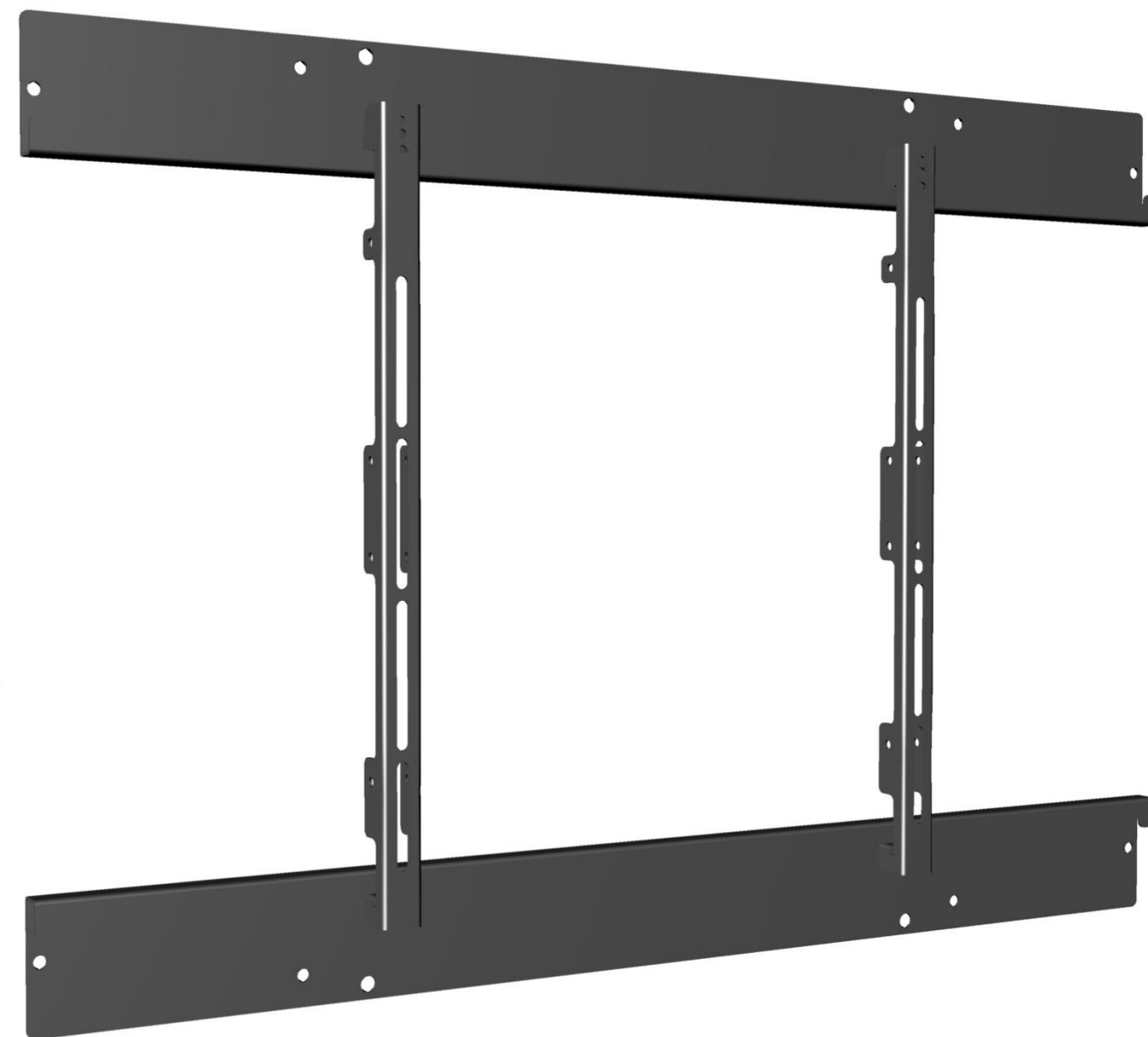
for the BalanceBox® 400

FLATSCREEN / VESA INTERFACE

for the BalanceBox® 400
Installation manual



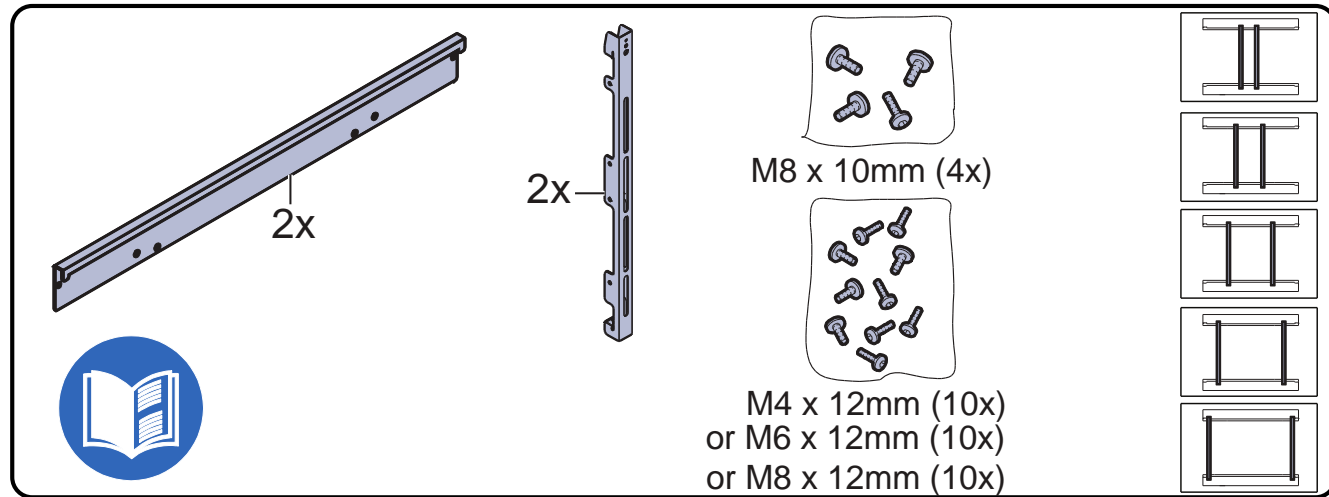
205 Westwood Ave, Long Branch, NJ 07740
Phone: 866-94 BOARDS (26273) / (732)-222-1511
Fax: (732)-222-7088 | E-mail: sales@touchboards.com



The information in this leaflet can be subject to changes.

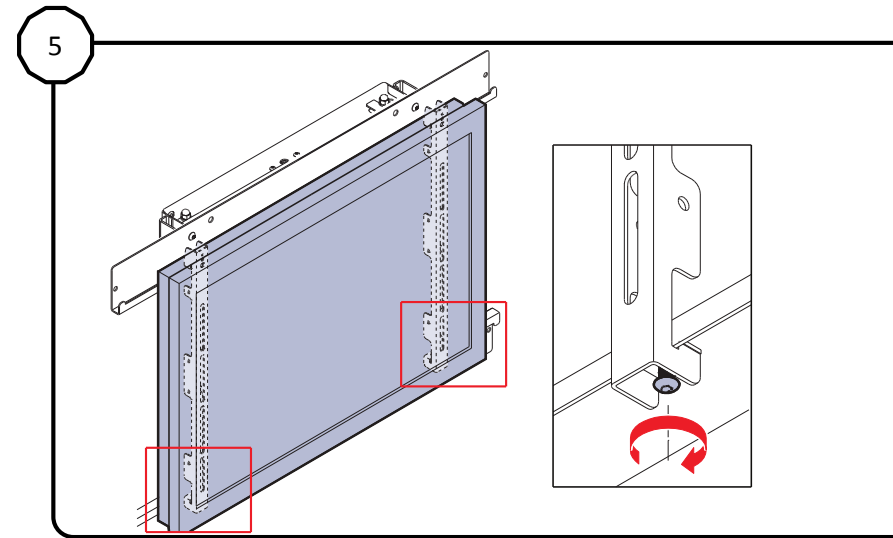
partnr: 902823-00



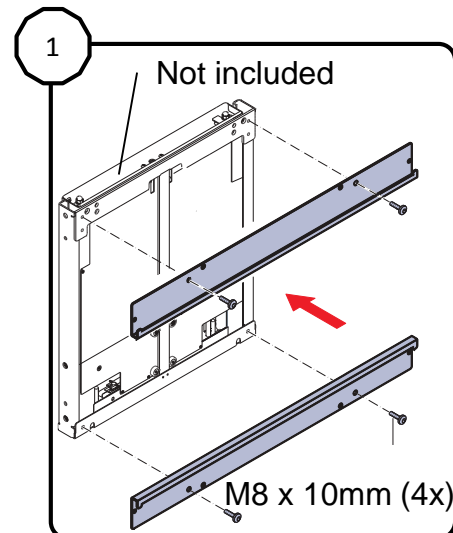


Contents of the box

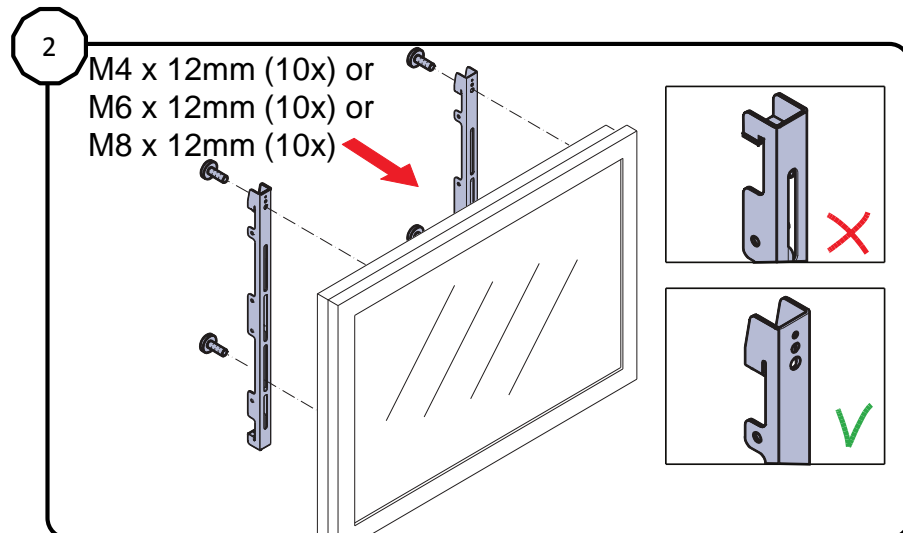
will fit VESA 100x100 to VESA 400x800



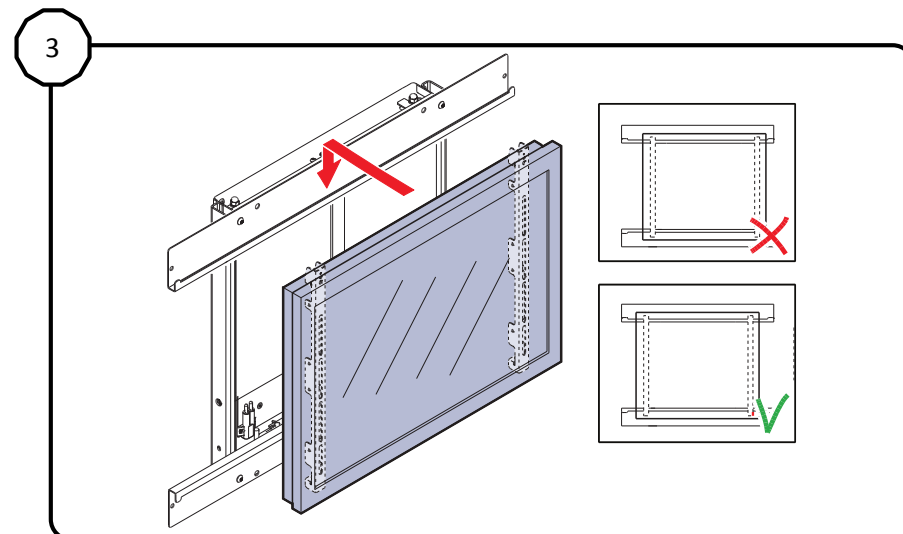
Lock monitor with safety lock screws from the bottom



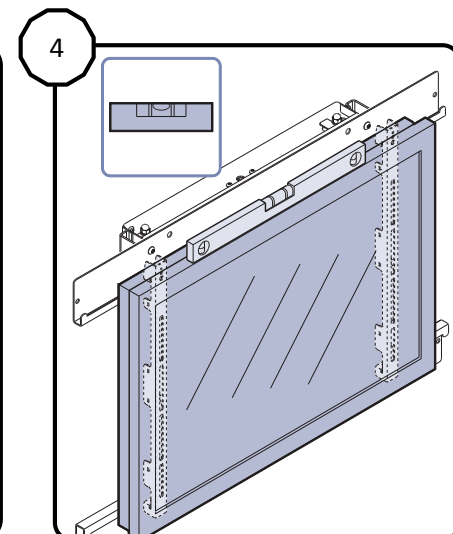
Assemble (● 5 mm)



Assemble (● 5 mm)



Hang the monitor on the horizontal bracket



Level the monitor



Please refer to
BalanceBox® user
manual!