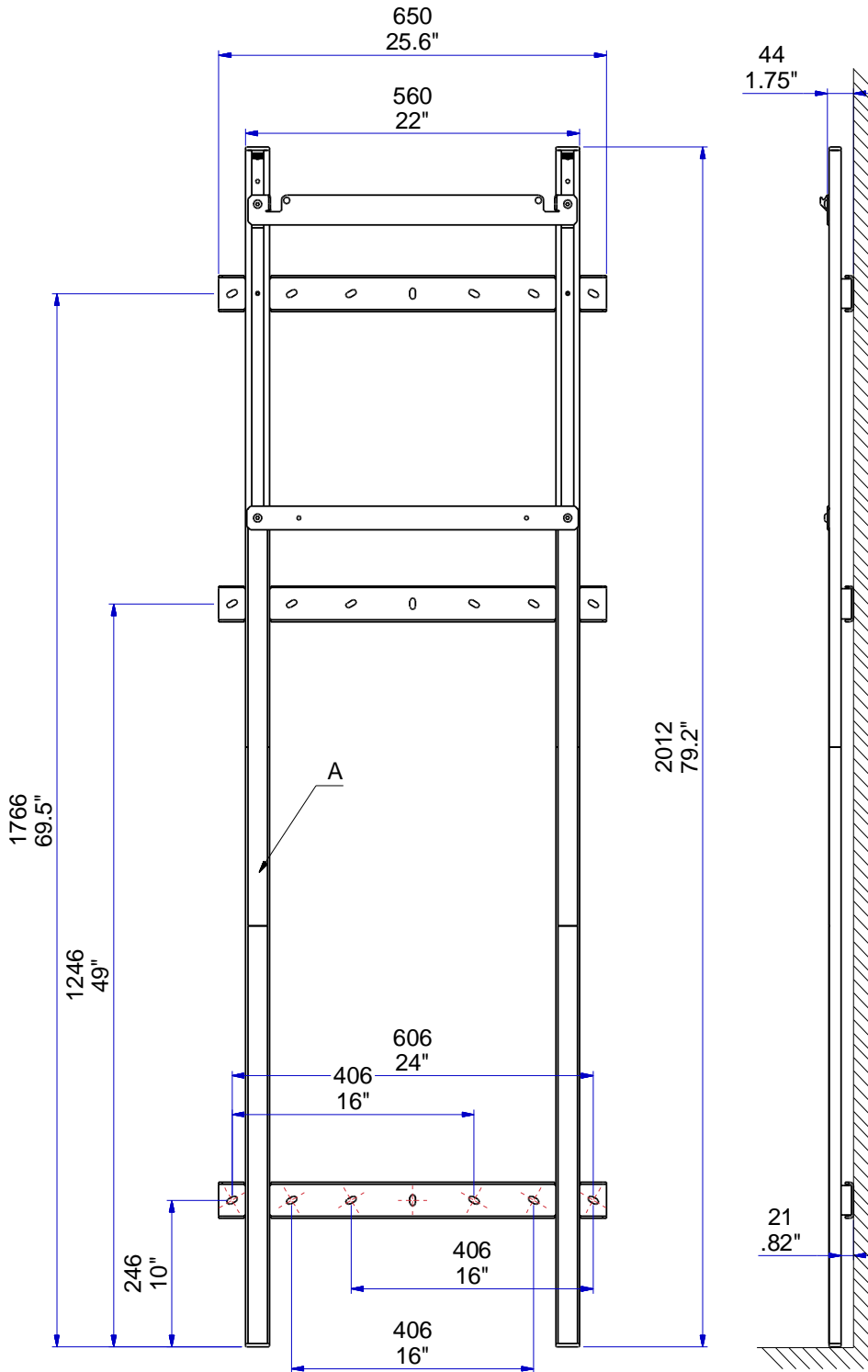


Floor support for BalanceBox® 400 and 400H installations on studed walls and non-supporting walls.

Dimensions:



V:20150317





Floor support

for the BalanceBox® 400 / 400H

Product Specifications					Shipping dimensions				
	value	metric units	value	US / imperial units	value	metric units	value	US / imperial units	
Height	2012	mm	79.2	inch	1050	mm	41.3	inch	
Width	650	mm	25.6	inch	80	mm	3.1	inch	
Depth	44	mm	1.75	inch	125	mm	4.9	inch	
Weight	11,4	kg	25	lbs	12,2	kg	26.8	lbs	
Load capacity	225	kg	495	lbs					
Material	Steel								
Finish	Powdercoated colour White RAL9003 gloss Covers strips A included Wall mounting hardware NOT included								