



Floor support for the BalanceBox® 400 and 400H



205 Westwood Ave, Long Branch, NJ 07740
Phone: 866-94 BOARDS (26273) / (732)-222-1511
Fax: (732)-222-7088 | E-mail: sales@touchboards.com

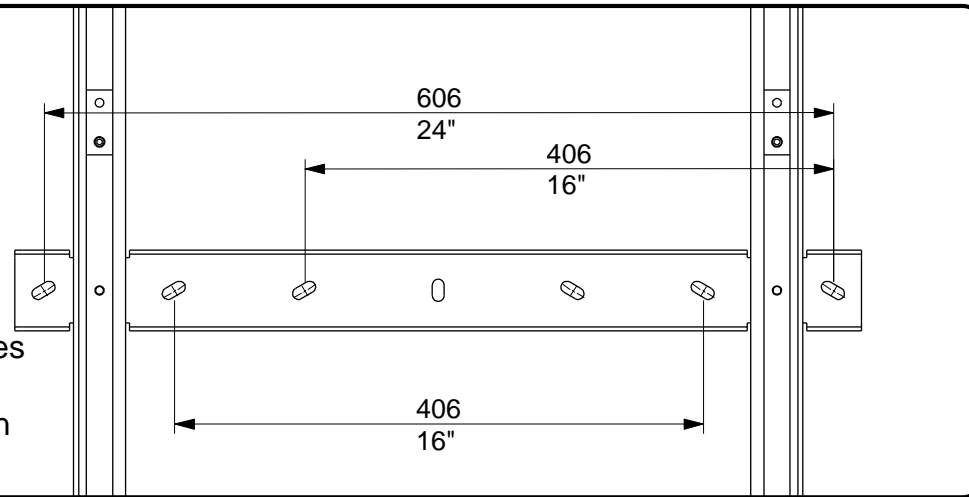
order number: 481A42

Floorsupport for the BalanceBox® 400 and 400H Installation manual

Important:

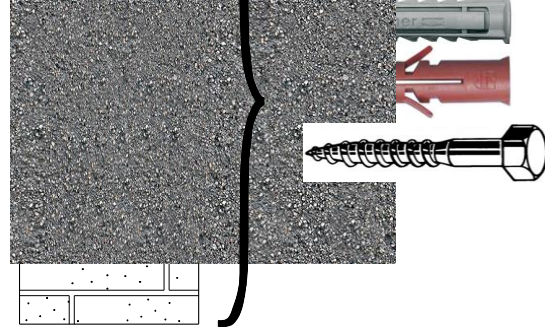
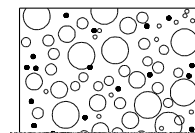
When mounting on
studded plastered
drywalls
always mount to the
studs in the wall.

(common stud distances
shown in the sketch)
Use minimum 2 fixation
points per bracket.



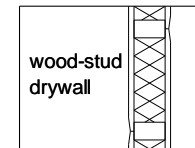
WALL TYPE

ADVISED MOUNTING HARDWARE

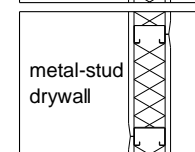


Fischer UX 10 mm
Wurth Master 10 mm

DIN 571 8 x 70 mm.
diam. 5/16" x 3"

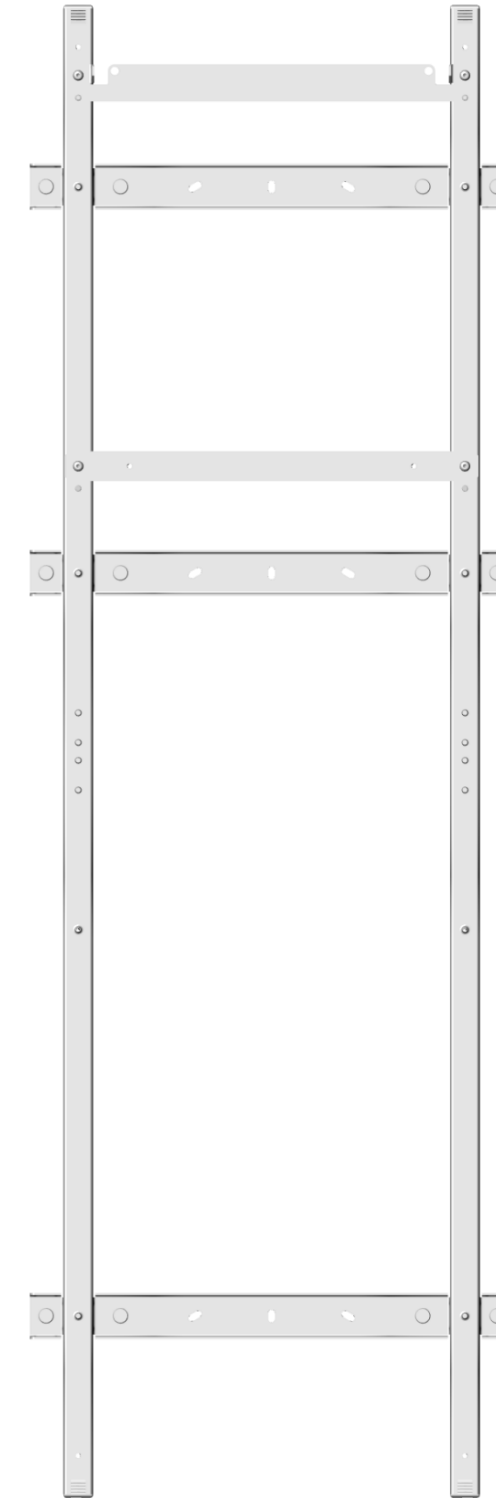


DIN 571 8 x 70 mm.
diam. 5/16" x 3"



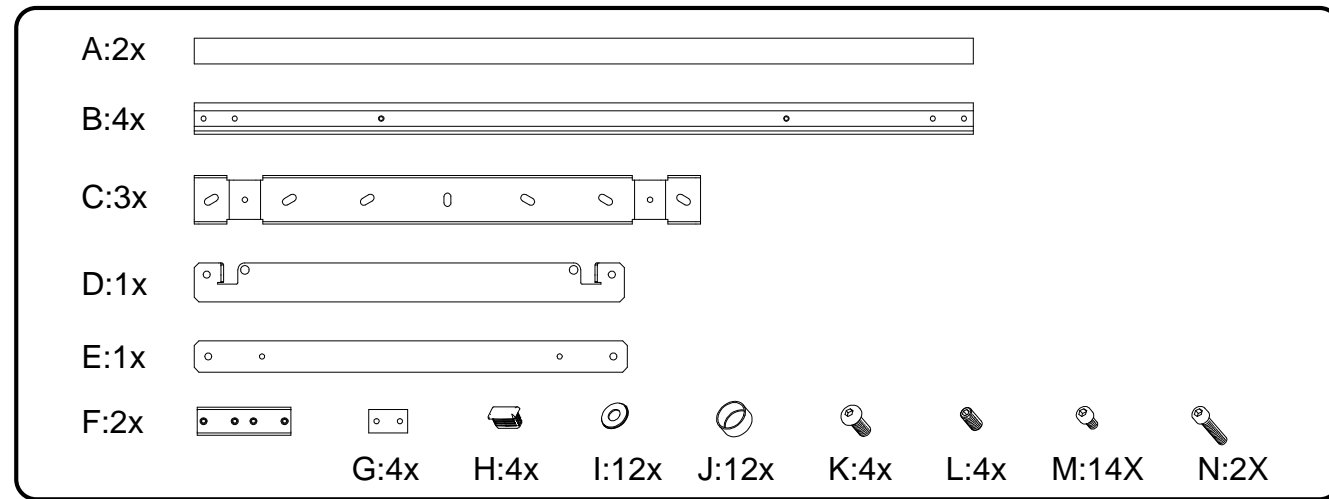
Toggler Snaptoggle BE
diam. M8 or 5/16" - 18

The information in this leaflet can be subject to changes.

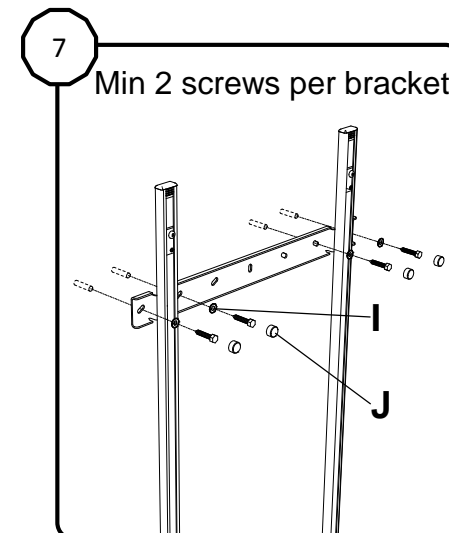
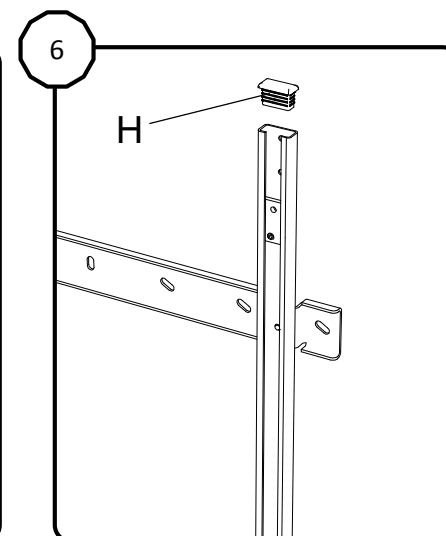
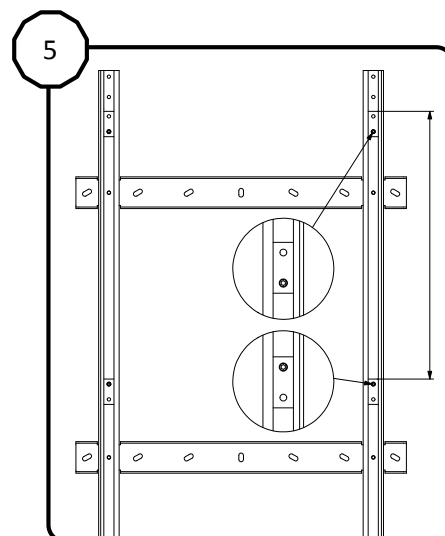
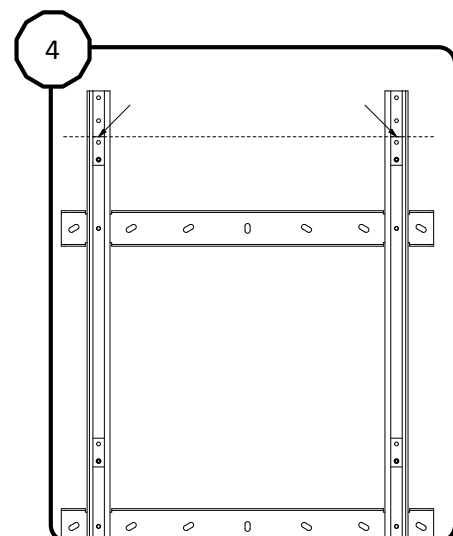
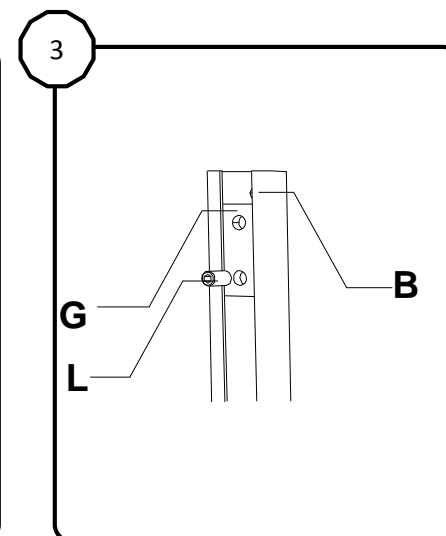
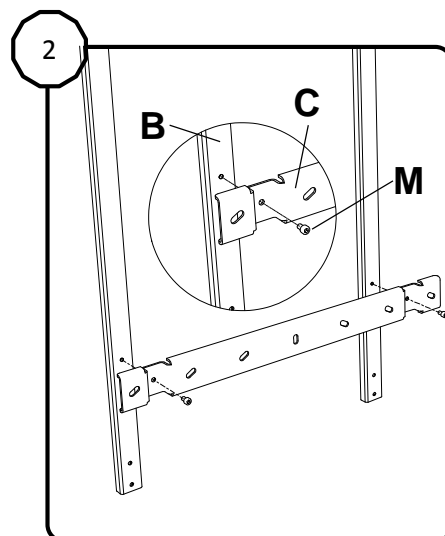
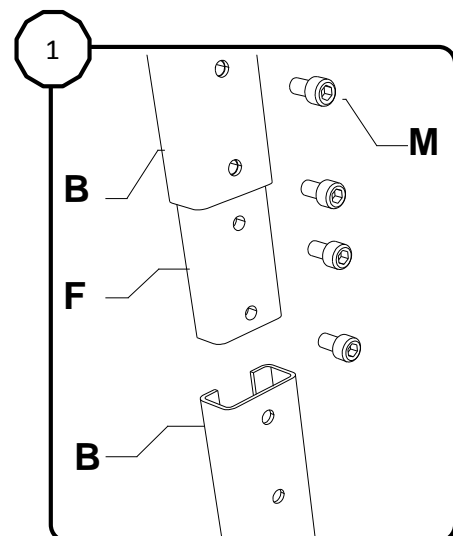


partnr: 902828-00

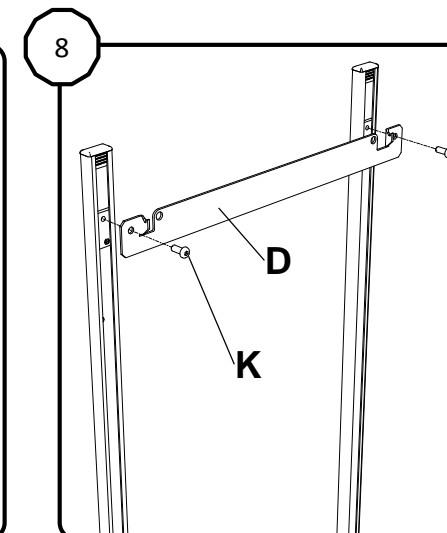




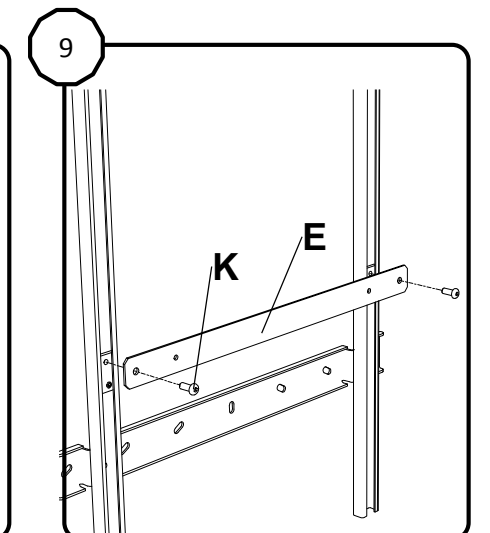
Contents of the box



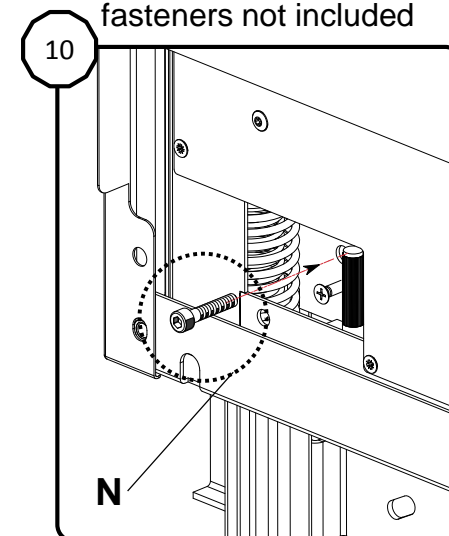
Fix 3 brackets to the wall fasteners not included



Fix TOP bracket (●5mm)



Fix bottom bracket (●5mm)

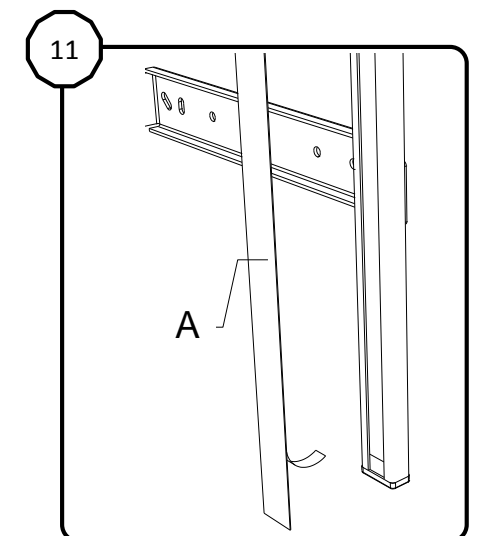


Hang BalanceBox (*) and fix at bottom, use screw N (● 5 mm)

NOTE: careful not to damage grey plastic dampener!



* Please refer to BalanceBox® user manual!



Mount cover strips with double sided tape