

Desktop accessories

Last Updated on 09.04.2021



Our desktop accessories have been designed for convenience, simplicity and ease of use for the operator. Developed for use across a wide range of applications, our range includes down draught trays, cowls, table brackets, bench pegs and automatic flush system seals.

BOFA's wide range of volume LEV extraction accessories now include a desk mountable dental bench peg. BOFA's unique flip top mount allows most of our arms to be interchangeable or it can easily be closed and sealed off.

- 50mm and 75mm ESD cowl (black) or clear cowl
- 50mm or 75mm ESD down draft tray in black or white
- Dental bench peg
- Table bracket and automatic flush system seal for 32mm and 50mm hose
- 75mm table bracket

Technology



ProTECT service
plan



SureCHECK
quality standard

Key features of the desktop accessories

Easy to use
Standard

Compatible with 32, 50 or 75mm flexible hose
Standard

Multi positional
Standard

Applications

• Hand soldering

• Monomer mixing

• Desktop hand working

Technical specification

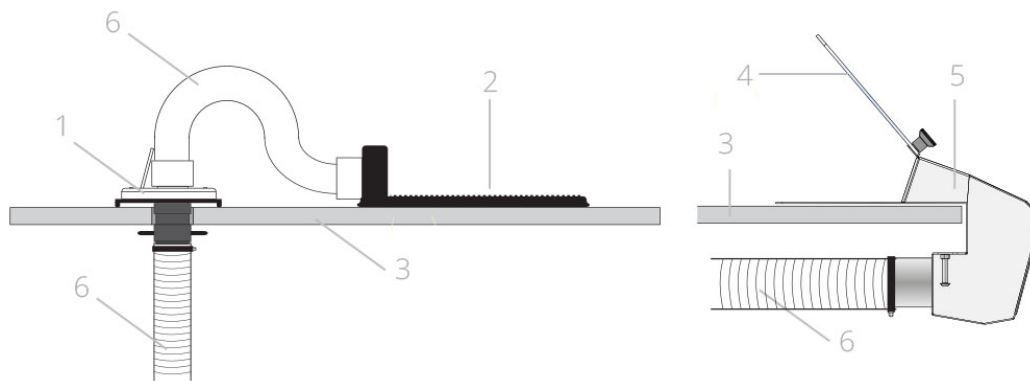
1. Flip top mount table bracket
5. Bench peg

2. Down draught tray
6. Flexible hose

3. Desk

4. Bench peg clear visor

Contact BOFA at <https://bofainternational.com/en/contact/>
<https://bofainternational.com/en/portal/datasheets/desktop-accessories/>



Part numbers

Model	Connection hose size	Part number
ESD black cowl	50mm	A1020037
Clear cowl	50mm	A1020036
ESD (black) down draft tray	50mm	A1020040
White down draft tray	50mm	A1020316
Dental bench peg Assembly	50mm	A375100
ESD black cowl	75mm	A1020039
Clear cowl	75mm	A1020038
ESD (black) down draft tray	75mm	A1020041
Table bracket for 32mm and 50mm	32mm and 50mm	A1020051
Automatic flush system seal for 32mm and 50mm	32mm and 50mm	A1020052

Datasheet correct at time of publishing.

Where applicable, the carbon used in BOFA units is capable of removing a wide range of VOC's, however it is the responsibility of the user to ensure the carbon is suitable for their application. For specific applications, please contact us for details.

Think before you print! Please consider the environment before printing this document.

