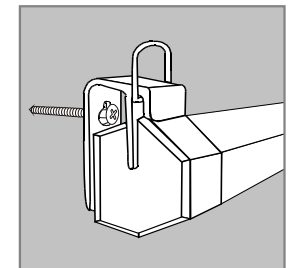
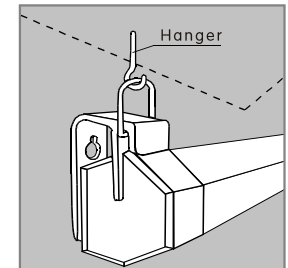
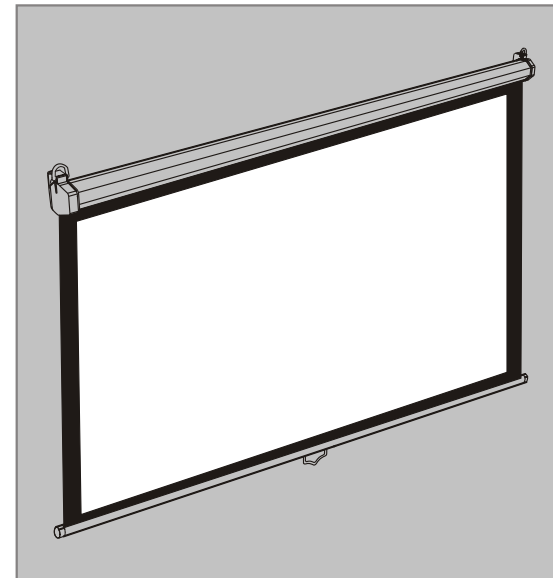




205 Westwood Ave, Long Branch, NJ 07740
 Phone: 866-94 BOARDS (26273) / (732)-222-1511
 Fax: (732)-222-7088 | E-mail: sales@touchboards.com



- Designed to reflect high quality images
- Designed for simple installation and use



Installation Guide for Elegant Series Manual Pull-Down Screen

- Easy to operate and reflects vivid and colorful images.
- Applicable for education venues, meeting rooms, control rooms, boardrooms, training facilities and home theatres.
- Specially suited for specific use projectors.

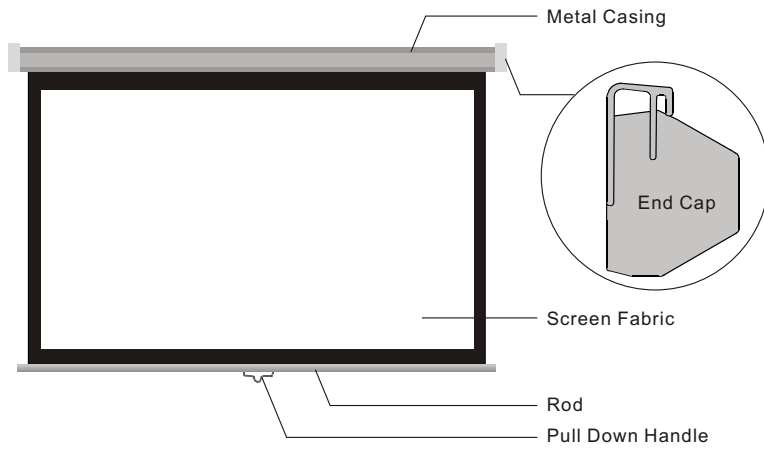
Boxlight Corporation
 19302 Powder Hill Place N.E
 Suite 101
 Poulsbo, WA 98370
 Tel: (800) 762-5757
 Website: www.boxlight.com

Thank you for purchasing a Boxlight projection screen.
 Before use, please read instructions carefully. After installation, store instructions for future reference.

Thank you for choosing Boxlight

Everything becomes easy after owning the Boxlight projection screen. For safety, please make sure to read “Product Safety” and “Warnings” before use.

Description



Accessories

■ ϕ 5 x 40 mmscrew with anchor (4pcs)



■ ϕ 5 x 60 mmscrew (4 pcs)








■ Instruction Manual

Product Safety

- The ceiling or wall used for fixture installation must be secure to prevent the screens from falling.
- Please read the following as any damage to the screen surface will affect the quality of the picture:
 1. Avoid contact or touching the screen surface as it may cause scratches or tears.
 2. Do not write or draw on the surface
 3. Clean the screen with a soft cloth and lukewarm water. Do not use any detergent or cleaning products.
- Roll up the screen after every use.
- While the screen is retracting, hold on to the pull loop on the bottom of the screen to prevent it from going too fast, which may result in damaging both the screen and casing.
- It may also cause the screen to fall.
- Ensure that the screen is level when installing; do not pull on the sides or fold the screen.
- To prevent unnecessary damage, the operation and maintenance of the screen should be done by adults.

Warnings

 Ignoring the safety warnings may lead to injuries and/or damaging the product.	 Fixtures should be installed in a secure place to avoid accidents or the screen falling.
 Roll up the screen after every use. Leaving it hanging for a long period of time may cause the fabric to loosen.	 Roll up the screen after every use. Leaving it hanging for a long period of time may cause the fabric to loosen.
 Please contact your local dealer for repairs or maintenance. Please contact our company if you have any further questions. Avoid taking apart the fixtures yourself. Loose parts may cause the screen to fall.	

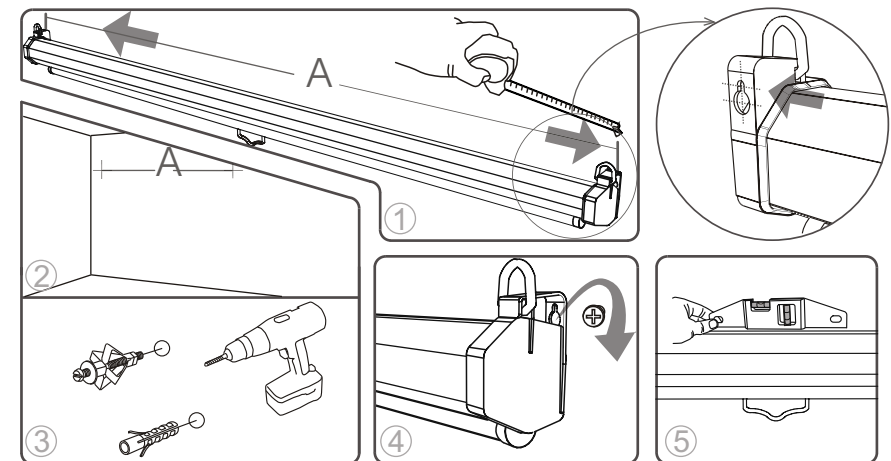
Do not take apart and replace with unknown parts. If there are any problems, please contact your local dealer. Product specifications are subject to change.

Installation

This projection screen should be installed at the best possible viewing position for the audience. Take out all the parts from the packaging and follow the accessories guideline to ensure you have all parts. The parts needed will vary depending on which installation you choose to use. For installation on a wood wall or ceiling, use the $\phi 5 \times 60$ screws. For installation on a drywall, use the $\phi 5 \times 40$ screws with anchors.

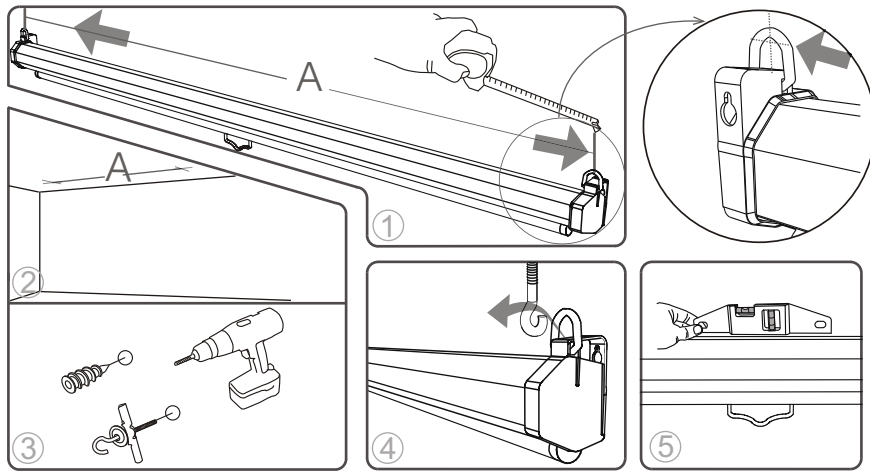
Wall Mount

Using a tape measure, measure the distance between the two keyholes on the casing. (Figure 1). According to the measurement, use the drill to drill identical holes of the appropriate size (use a smaller drill bit than the actual screws) on the wall and ensure that it is level (Figure 2 and 3). Screw in the appropriate screws, either the $\phi 5 \times 60$ for wood walls or the $\phi 5 \times 40$ plus anchors for drywalls, leaving enough space at the end to hang the casing (Figure 4). To ensure that the screen is level, use a leveler to check (Figure 5).



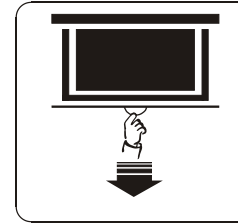
Ceiling Mount

Using a tape measure, measure the distance between the two keyholes on the casing (figure 1). According to the measurement, use the drill to drill identical holes of the appropriate size on the ceiling (use a smaller drill bit than the actual screws) and ensure that it is level (figure 2 & 3). Screw in the hook screws (not provided), and lift the screen into the hook screws to hang (figure 4). To ensure that the screen is level, use a level to check (figure 5).

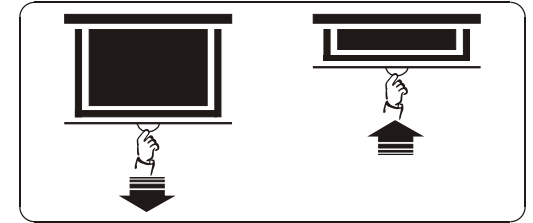


Instructions

1. Pull the screen handle down and ensure it locks in position.
2. When retracting the screen, simply pull down screen slightly to release pull down the screen handle slightly to release. Guide the screen up with the handle, and release when the screen is fully retracted.



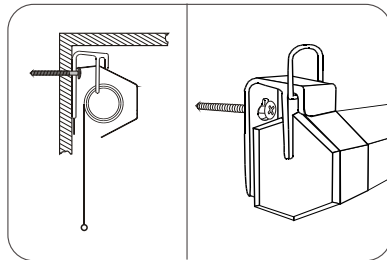
Picture 1



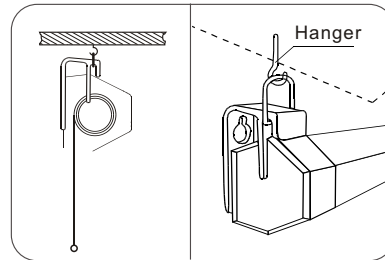
Picture 2

Installation

Wall mount



Ceiling mount



Touchboards

205 Westwood Ave, Long Branch, NJ 07740
Phone: 866-94 BOARDS (26273) / (732)-222-1511
Fax: (732)-222-7088 | E-mail: sales@touchboards.com