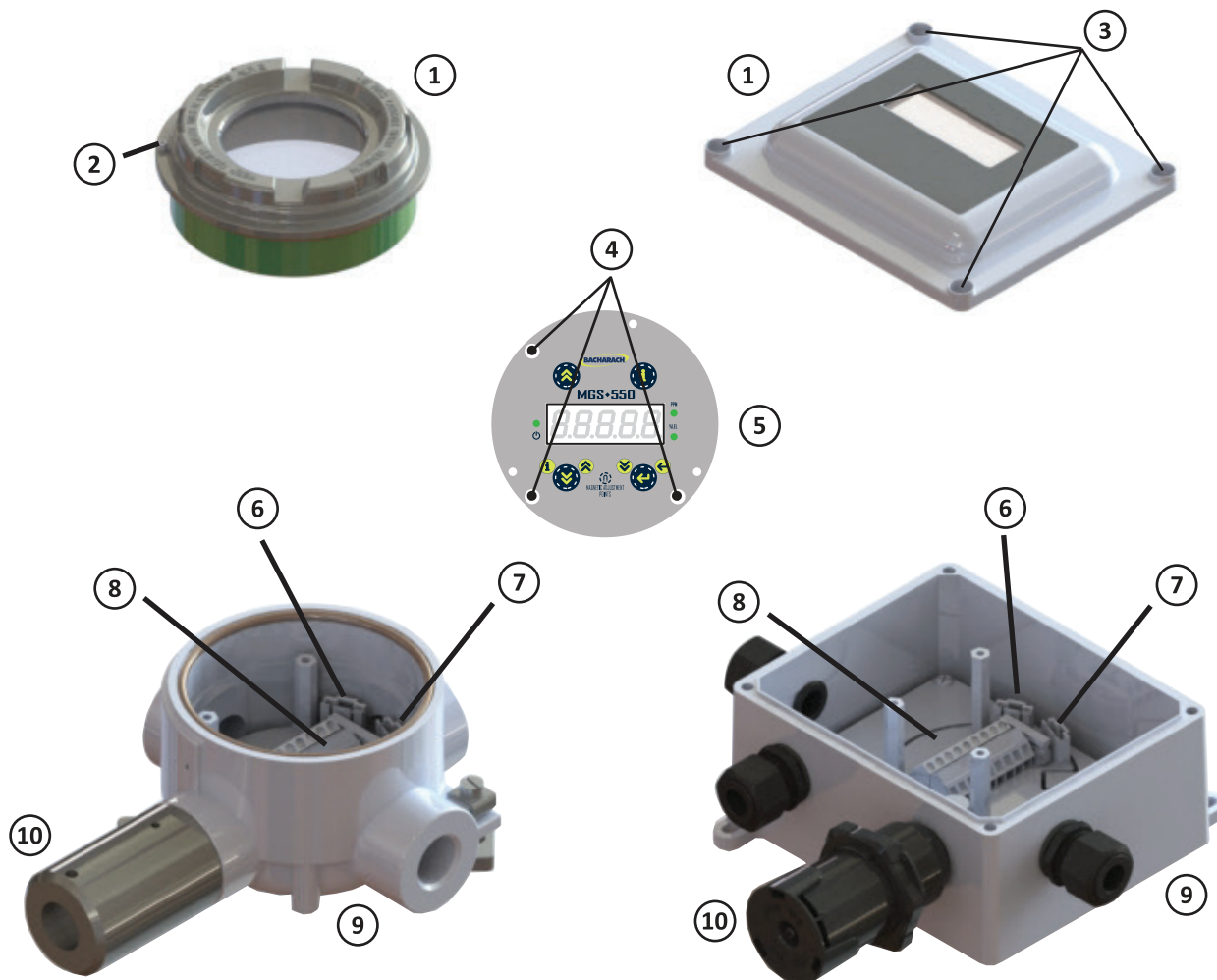
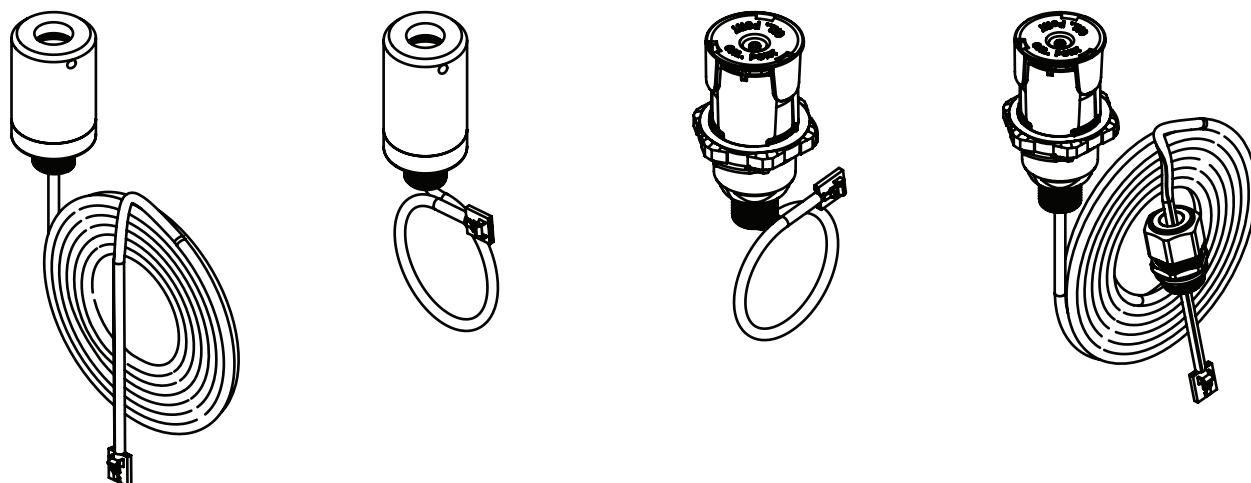


BACHARACH
MGS-550
 GAS TRANSMITTER
 Sensor Installation Guide

P/N: 1100-0998
 Revision 0
 August 11, 2015



Sensor Installation Guide



CAUTION: Before using this equipment, carefully read and strictly follow the User Manual (P/N 1100-1000). The user must fully understand and strictly observe the instructions. Use the equipment only for the purposes and under the conditions specified in that document.

1. Power down the instrument.
2. Open the housing. Loosen (2) or (3) as appropriate.
3. Using a flat-head screwdriver, loosen (4) (3 places)
4. Carefully remove (5) from enclosure.
5. Ribbon cable (not shown) may remain connected.
6. Remove an unused plug from the enclosure, if necessary.
7. Feed the connector end of the sensor assembly into the enclosure.



8. For the General Purpose (GP) housing, screw the local sensing head or cable gland with attached gasket into the housing and tighten (to maintain IP rating).
9. Plug the new sensing head connector into the open sensor connector socket (6) or (7) on (8).
10. Put (5) back into the enclosure.
11. Using a flat-head screwdriver, secure (4) (3 places).
12. Put (1) back on. Secure (2) and (3) as appropriate.
13. Power up the instrument.
14. The instrument will prompt you to start the sensor registration (e.g., "rEg 2").

8.8.8.8

15. Acknowledge with [ENTER]. The instrument will then indicate successful registration (e.g., "PASS 2").

8.8.8.8

English

- | | | | |
|---|--|----|---------------------|
| 1 | Enclosure Lid | 6 | Sensor Connector J2 |
| 2 | Hex Set Screw | 7 | Sensor Connector J3 |
| 3 | M5 Hex Screw Locations for Enclosure | 8 | Interface Board |
| 4 | Screw Locations | 9 | Enclosure Base |
| 5 | Bezel with Processor Board (Electronics) | 10 | Sensing Head |